



RDA105E

| Dimensions (mm) | External | Internal |
|-----------------|----------|----------|
| Height | 600 | |
| Width | 710 | |
| Depth | 830 | |
| Capacity (ltr) | | |
| Gross | | |
| Net | | 89 |



RDA110E

| Dimensions (mm) | External | Internal |
|-----------------|----------|----------|
| Height | 950 | |
| Width | 710 | |
| Depth | 830 | |
| Capacity (ltr) | | |
| Gross | | |
| Net | | 169 |



RDA115E

| Dimensions (mm) | External | Internal |
|-----------------|----------|----------|
| Height | 1660 | |
| Width | 750 | |
| Depth | 850 | |
| Capacity (ltr) | | |
| Gross | | |
| Net | | 272 |

Features

- High grade 304 stainless steel interior & exterior
- Accepts GN1/1 containers
- Internal illumination
- Left hand hinged as standard
- Supplied with one shelf, tray slides spaced 67mm apart
- Steam generated by direct system
- Supplied with hand shower and fitting kit (to be fitted onsite by installer)
- Easy to use with none complicated controls

Additional Extras

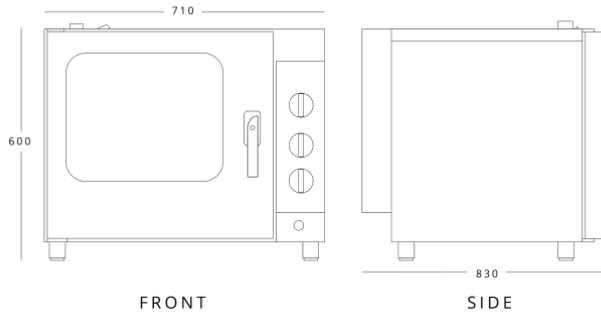
- C2-C762500 - Gasket door for RDA110E
- WH-ADNSTAND02 - Stand for RDA105E + RDA110E + RDA115E



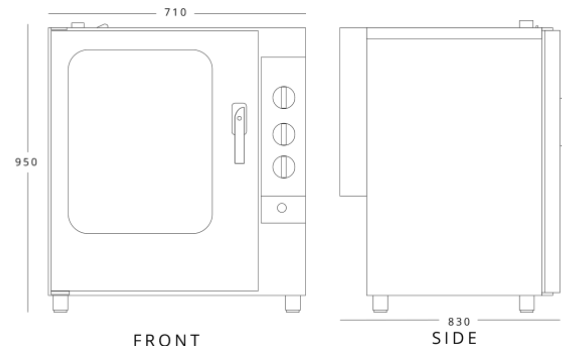
Technical Specification

| | RDA105E | RDA110E | RDA115E |
|--------------------------|----------------------------|----------------------------|----------------------------|
| Temperature Range | +50°C - +270°C | +50°C - +270°C | +50°C - +270°C |
| Power Supply | 1 phase | 3 phase | 3 phase |
| Power Usage (w) | 6000 | 12200 | 18000 |
| Weight (kg) | 82 | 121 | 192.5 |
| Water Consumption (L/hr) | Steam Mode 14L/HR at 2 bar | Steam Mode 14L/HR at 2 bar | Steam Mode 14L/HR at 2 bar |
| Container Capacity | 5xGN1/1 | 10xGN1/1 | 15xGN1/1 |

RDA105E



RDA110E



RDA115E

