



RDA105E

Dimensions (mm)	External	Internal
Height	600	
Width	710	
Depth	830	
Capacity (ltr)		
Gross		
Net		89



RDA110E

Dimensions (mm)	External	Internal
Height	950	
Width	710	
Depth	830	
Capacity (ltr)		
Gross		
Net		169



RDA115E

Dimensions (mm)	External	Internal
Height	1660	
Width	750	
Depth	850	
Capacity (ltr)		
Gross		
Net		272

Features

- High grade 304 stainless steel interior & exterior
- Accepts GN1/1 containers
- Internal illumination
- Left hand hinged as standard
- Supplied with one shelf, tray slides spaced 67mm apart
- Steam generated by direct system
- Supplied with hand shower and fitting kit (to be fitted onsite by installer)
- Easy to use with none complicated controls

Additional Extras

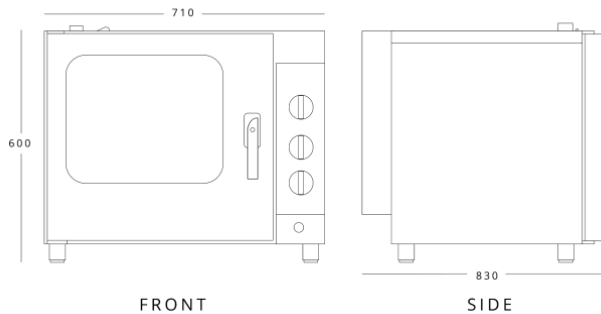
- C2-C762500 - Gasket door for RDA110E
- WH-ADNSTAND02 - Stand for RDA105E + RDA110E + RDA115E



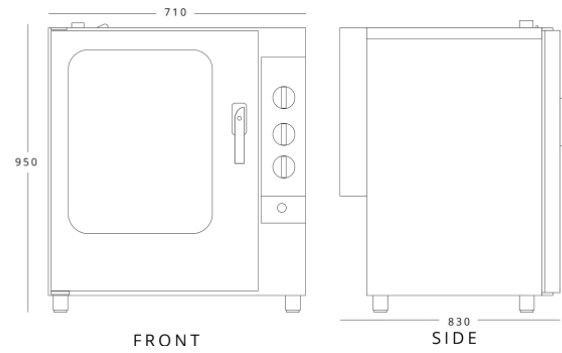
Technical Specification

	RDA105E	RDA110E	RDA115E
Temperature Range	+50°C - +270°C	+50°C - +270°C	+50°C - +270°C
Power Supply	1 phase	3 phase	3 phase
Power Usage (w)	6000	12200	18000
Weight (kg)	82	121	192.5
Water Consumption (L/hr)	Steam Mode 14L/HR at 2 bar	Steam Mode 14L/HR at 2 bar	Steam Mode 14L/HR at 2 bar
Container Capacity	5xGN1/1	10xGN1/1	15xGN1/1

RDA105E



RDA110E



RDA115E

