



KXR600

Dimensions (mm)	External	Internal
Height	2000	1390
Width	680	560
Depth	840	680
Capacity (ltr)		
Gross		600
Net		395



KXR1200

Dimensions (mm)	External	Internal
Height	2000	1390
Width	1340	1220
Depth	840	680
Capacity (ltr)		
Gross		1200
Net		791



KXF600

Dimensions (mm)	External	Internal
Height	2000	1390
Width	680	560
Depth	840	680
Capacity (ltr)		
Gross		600
Net		395



KXF1200

Dimensions (mm)	External	Internal
Height	2000	1390
Width	1340	1220
Depth	840	680
Capacity (ltr)		
Gross		1200
Net		791

Features

- 201 stainless steel exterior & interior
- Internal corners rounded to aid cleaning
- 3 adjustable GN2/1 shelves per door, shelf size 535 x 650 mm
- LED lighting
- Lock fitted as standard
- Heavy duty castors as standard
- Suitable for fresh meat storage
- Self closing door(s) with dwell position

Additional Extras

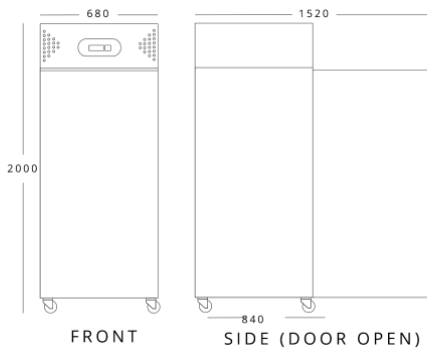
- K8-SHELF02 - 2/1 GN Shelf GN
- K8-GUIDE01 - Guides for Shelf (pair)
- K8-GASKET03 - Door Gasket



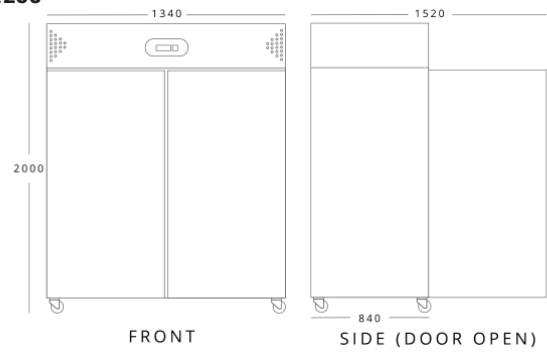
Technical Specification

	KXR600	KXR1200	KXF600	KXF1200
Temperature Range	-2°~+8°	-2°~+8°	-18°~+22°	-18°~+22°
Climate Class	4	4	4	4
Power Supply	13amp	13amp	13amp	13amp
Cooling	Ventilated	Ventilated	Ventilated	Ventilated
Defrost	Automatic	Automatic	Automatic	Automatic
Noise Level	60	60	60	60
Refrigerant	R290	R290	R290	R290
Energy Efficiency Class	D	D	E	E
Energy Consumption (kw/24hrs)	2.233	3.786	7.742	11.826
Power Usage (w)	195	380	450	700
Weight (kg)	125	213	132	221

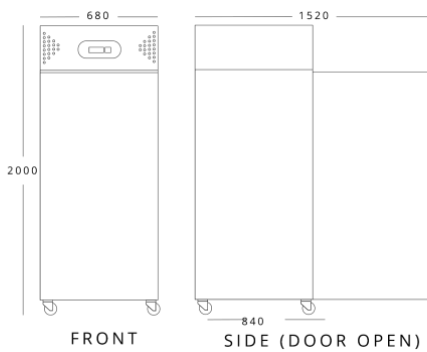
KXR600



KXR1200



KXF600



KXF1200

