



**FMX7**

Dimensions (mm)	External	Internal
Height	501	
Width	333	
Depth	430	
Capacity (ltr)		
Gross		7
Net		



**FMX10**

Dimensions (mm)	External	Internal
Height	612	
Width	383	
Depth	456	
Capacity (ltr)		
Gross		10
Net		



**FMX20**

Dimensions (mm)	External	Internal
Height	755	
Width	505	
Depth	550	
Capacity (ltr)		
Gross		20
Net		



**FMX30**

Dimensions (mm)	External	Internal
Height	1138	
Width	605	
Depth	320	
Capacity (ltr)		
Gross		30
Net		

## Features

- Three speed settings
- Lever operated bowl lift
- Safety stop function
- Bowl guard
- Stainless steel bowl
- Supplied with wire whisk, dough hook & beater

## Additional Extras

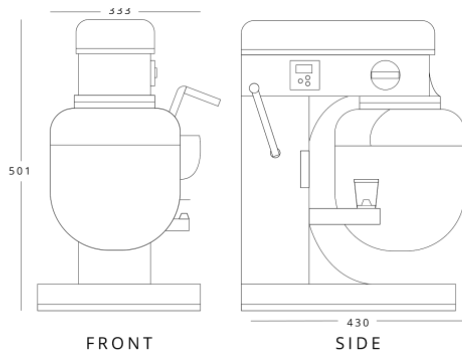
- BZ-MX600 - Mixer stand for FMX7/10/20/30
- B3-MX11582 - Mixing bowl for FMX10
- B3-MX201155 - Mixing bowl for FMX20
- B3-MX301185 - Mixing bowl for FMX30



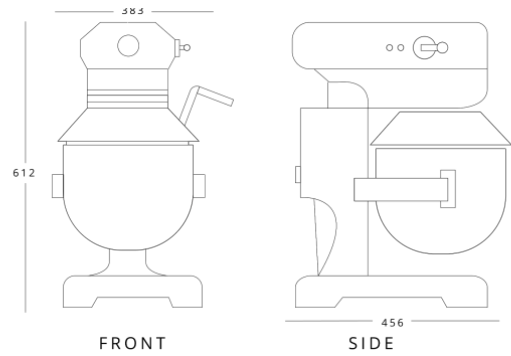
## Technical Specification

	FMX7	FMX10	FMX20	FMX30
Power Supply	13amp	13amp	13amp	15amp
Power Usage (w)	650	550	1100	1500
Weight (kg)	27.5	45	80	148

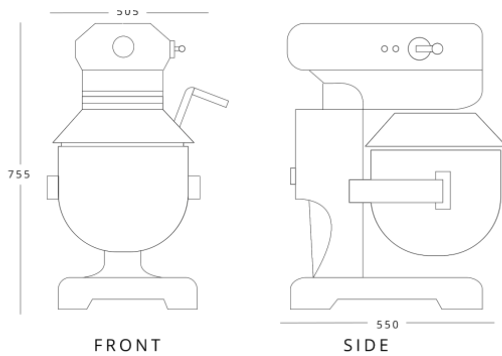
### FMX7



### FMX10



### FMX20



### FMX30

