



BIM160

Dimensions (mm)	External	Internal
Height	1720	
Width	570	
Depth	830	
Capacity (kg)		
Gross		
Net		160



BIM230

Dimensions (mm)	External	Internal
Height	1720	
Width	770	
Depth	830	
Capacity (kg)		
Gross		
Net		227

Features

Stainless Steel & ABS Body

Produces Cubed Ice

Low Water Consumption

Easy To Use Electronic Controls

10-20 Minute Cycles

Fully Automatic Operation

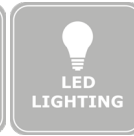
Cleaning Function Cycle

Integrated LED Lighting

Ice Machine & Bin

Additional Extras

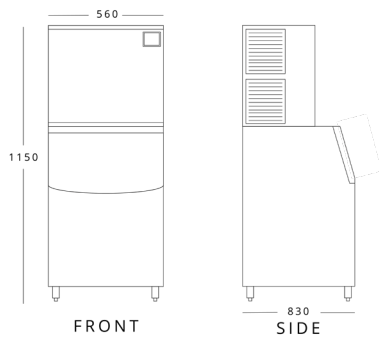
F1-IXFILTERKIT - Water filtration kit



Technical Specification

	BIM160	BIM230
Climate Class	T	T
Power Supply	13amp	13amp
Noise Level	56db	56db
Refrigerant	R290	R290
Power Usage (w)	760	1050
Weight (kg)	94	120
Production Capacity (kg)	159	227
Storage Capacity (kg)	125	175

BIM160



BIM230

