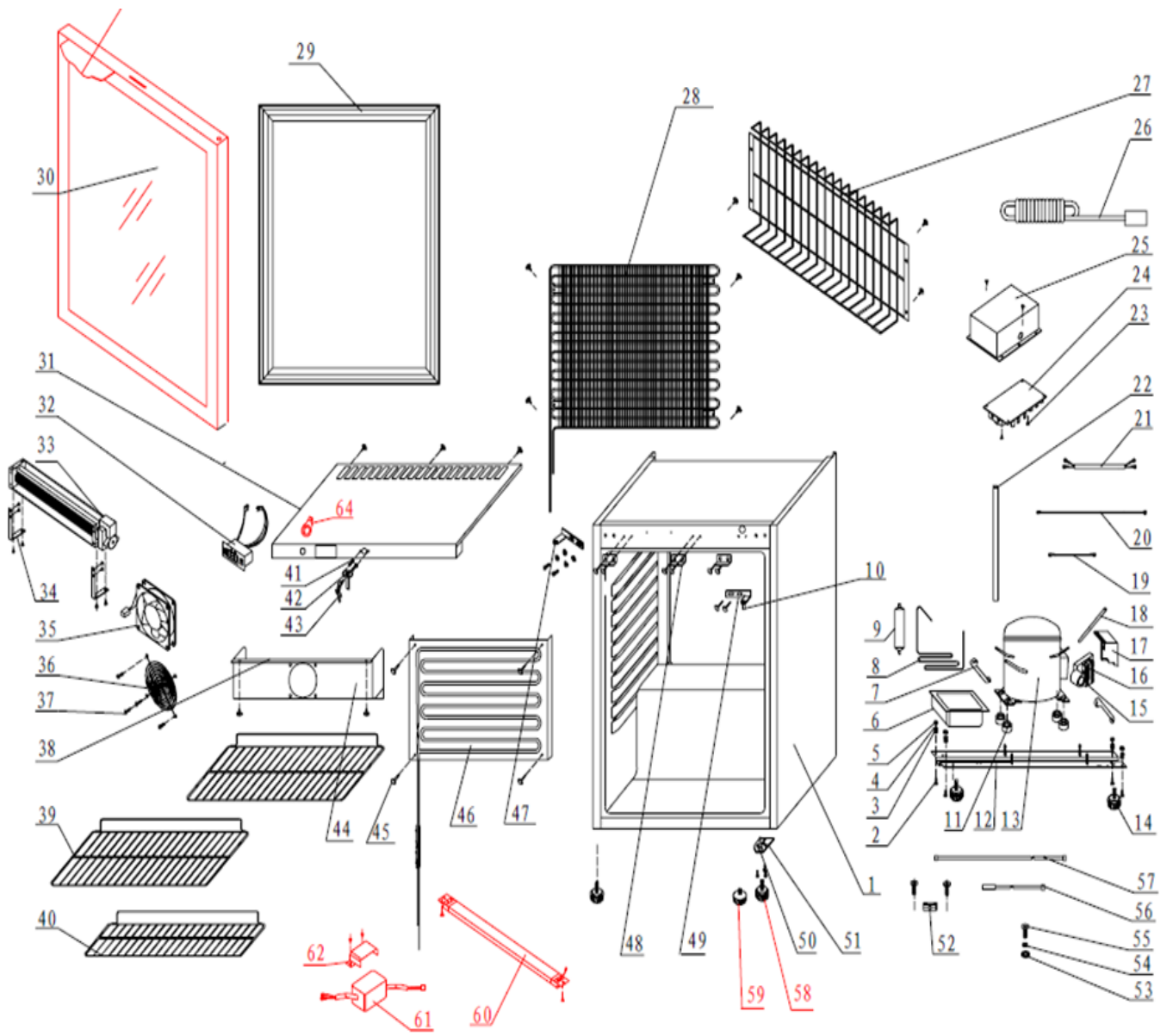


UCR140CR

Exploded parts diagram







Part Number	No.	Description	Qty
***	1	Cabinet	1
***	2	Screw	9
***	3	Flat washer	9
***	4	Spring washer	9
***	5	Hexagon nut	4
M4-UCR013	6	Water box	1
W4-BRACKET01	7	Compressor fixture item	2
***	8	Cu Tube	1
W4-FILTER01	9	Drier	1
M4-HINGE01	10	Hinge Pin Top	1
***	11	Rubber grommet	4
BZ-UCR140-003	12	Compressor Mounting Plate	1
W4-COMP02	13	Compressor	1
M4-UCR02	14	Adjustable Foot	4
W4-OVERLOAD02	15	Overheat and overload protector	1
W4-CAP02		Capacitor for Compressor	1
W4-STARTER02	16	Starter	1
W4-COVER02R	17	Electric cover	1
***	18	Process tube	1
***	19	Short earth wire	1
***	20	Long earth wire	1
***	21	Short wire sheath	1
***	22	Plastic tube	1
***	23	Philips screw	4
N/A	24	HM-30A Transformer for CAREL Controller	1
W4-FIXBOX	25	Plastic box for Transformer	1
***	26	Power Wire and Plug	1
***	27	Back Cover	1
M4-UCR030	28	Condenser	1
M4-UCR039	29	Gasket for Glass Door	1
M4-UCR140CR	30	Glass Door	1
M4-UCR009	31	Lid Top (S/S)	1
W4-CONTROLLER04	32	CAREL Controller	1
M4-UCR028	33	Cross flow fans	1
***	34	Holder	2
M4-UCR044	35	Evaporator Fan	1
***	36	Fan Guard	1
***	37	Screw	4
***	38	Evap Fan Panel	1
M4-UCR046	39	Large Shelf	2
M4-UCR045	40	Small Shelf	1
M4-UCR032	41	Key	2
M4-UCR031	42	Lock	1
***	43	Screw	2

***	44	Philips screw	43
***	45	Screw	4
M4-UCR050	46	Roll Bond Evaporator	1
M4-UCR022	47	Hinge Bracket Top Left	1
***	48	Clip of roof cover	3
M4-UCR024	49	Hinge Bracket Top Left	1
***	50	Bottom shaft	1
M4-HINGE02	51	Bottom hinge	1
***	52	Wire clip	1
***	53	Flat washer	1
***	54	Spring washer	1
***	55	Hexagon nut	1
W4-SENSOR03	56	Temperature sensor for CAREL Controller	1
***	57	4 Core Cable from PCB to Controller	1
***	58	Short Feet	2
***	59	Support Feet	2
W4-LED01	60	LED Light	1
W4-TRANSFORME	61	Transformer	1
***	62	Transformer Holder	1
W4-HANDLE3	63	Chrome Handle	1
***	64	Light Switch	1

*** Please contact Spares for assistance***