

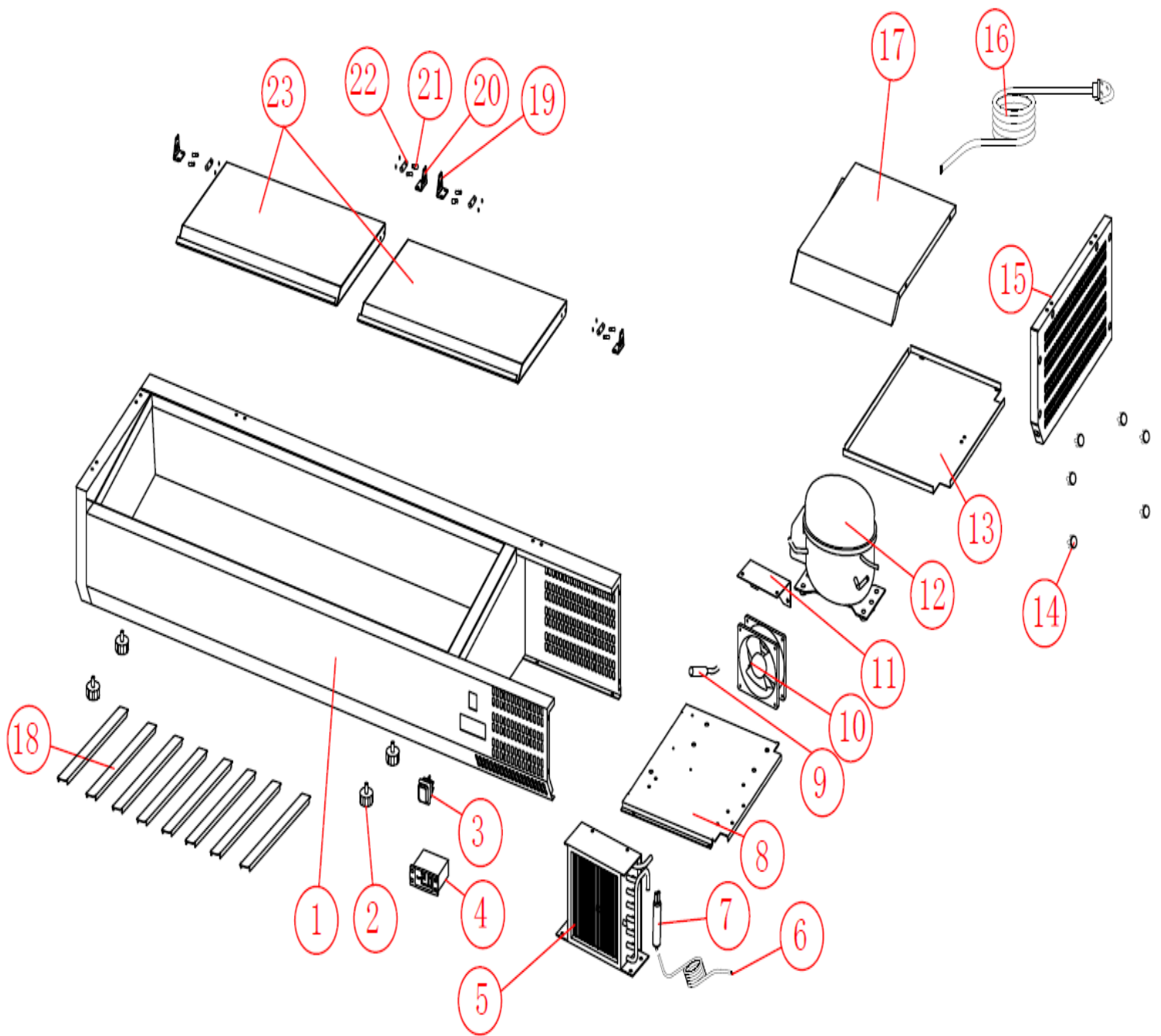


TOP1200/1500/2000ENXX

Exploded parts diagram

Image shown is a TOP2000ENXX







Part Number	Number	Description	Qty
***	1	Cabinet	1
***	2	Feet (TOP1200/1500/2000ENXX)	4
X1-SWITCH01	3	Power Switch (TOP1200/1500/2000ENXX)	1
X1-CONTROLLER04	4	Controller (TOP1200/1500/2000ENXX)	1
***	5	Condenser (TOP1200/1500/2000ENXX)	1
***	6	Capillary (TOP1200/1500/2000ENXX)	1
***	7	Drier (TOP1200/1500/2000ENXX)	1
***	8	Cooling Unit Board (TOP1200/1500/2000ENXX)	1
K8-PROB01	9	Probe (TOP1200/1500/2000ENXX)	1
X1-FAN03	10	Cond Fan (TOP1200/1500/2000ENXX)	1
***	11	Cond Fan Plate Connector (TOP1200/1500/2000ENXX)	1
B1-COMP17	12	Compressor (TOP1200/1500/2000ENXX)	1
***	13	Cond Unit Board (TOP1200/1500/2000ENXX)	1
***	14	Gromit (TOP1200/1500/2000ENXX)	6
***	15	Right Side Cover (TOP1200/1500/2000ENXX)	1
***	16	Power Cord (TOP1200/1500/2000ENXX)	1
***	17	Top Cover (TOP1200/1500/2000ENXX)	1
***	18	Spacer Bar (TOP2000ENXX)	8
***	18	Spacer Bar (TOP1500RXX)	5
***	18	Spacer Bar (TOP1200ENXX)	3
X1-LEFTHINGEBASE	19	Hinge Base Left (TOP2000ENXX)	2
X1-LEFTHINGEBASE	19	Hinge Base Left (TOP1200/1500ENXX)	1
X1-RIGHTHINGEBASE	20	Hinge Base Right (TOP2000ENXX)	2
X1-RIGHTHINGEBASE	20	Hinge Base Right (TOP1200/1500ENXX)	1
***	20	Side Glass (TOP1200/1500/2000ENXX)	2
K8-COVERAXIS	21	Cover Axis (TOP2000ENXX)	8
K8-COVERAXIS	21	Cover Axis (TOP1200/1500ENXX)	4
X1-COVERCONNECT	22	Fixed Cover Connection (TOP2000ENXX)	4
X1-COVERCONNECT	22	Fixed Cover Connection (TOP1200/1500ENXX)	2
***	23	Top Cover (TOP2000ENXX)	2
***	23	Top Cover (TOP1500ENXX)	1
***	23	Top Cover (TOP1200ENXX)	1

*** Please contact Spares for assistance ***