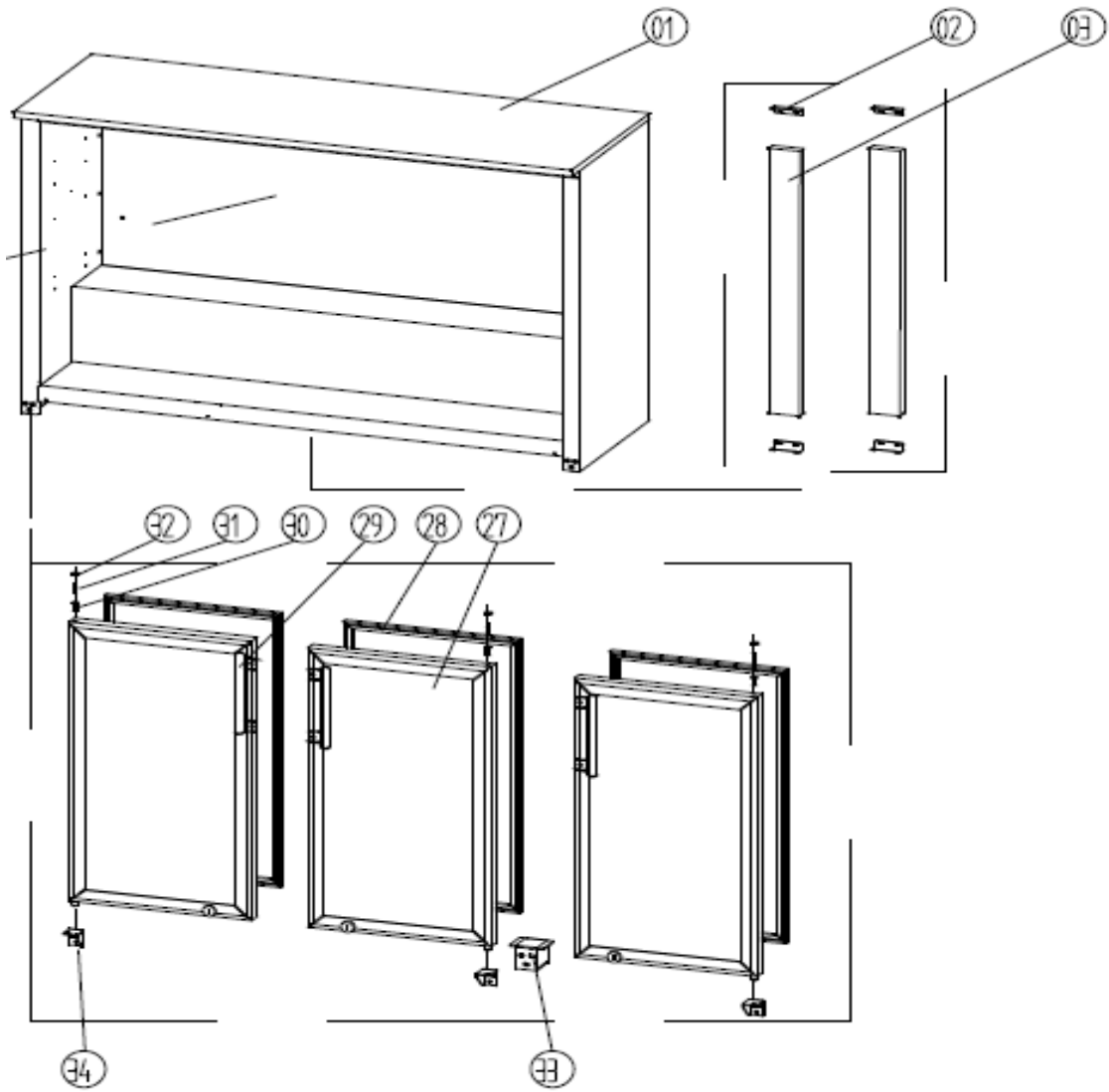


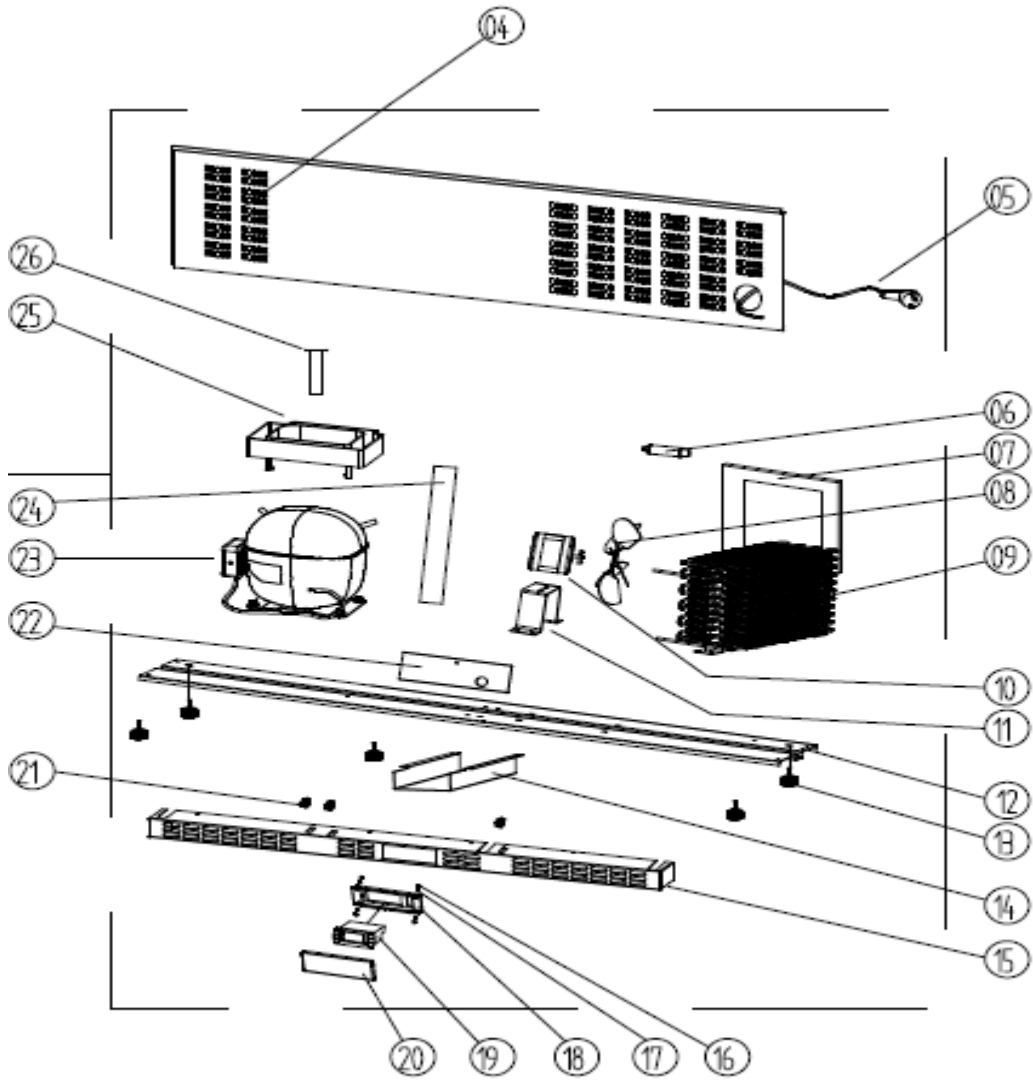
# KBC3

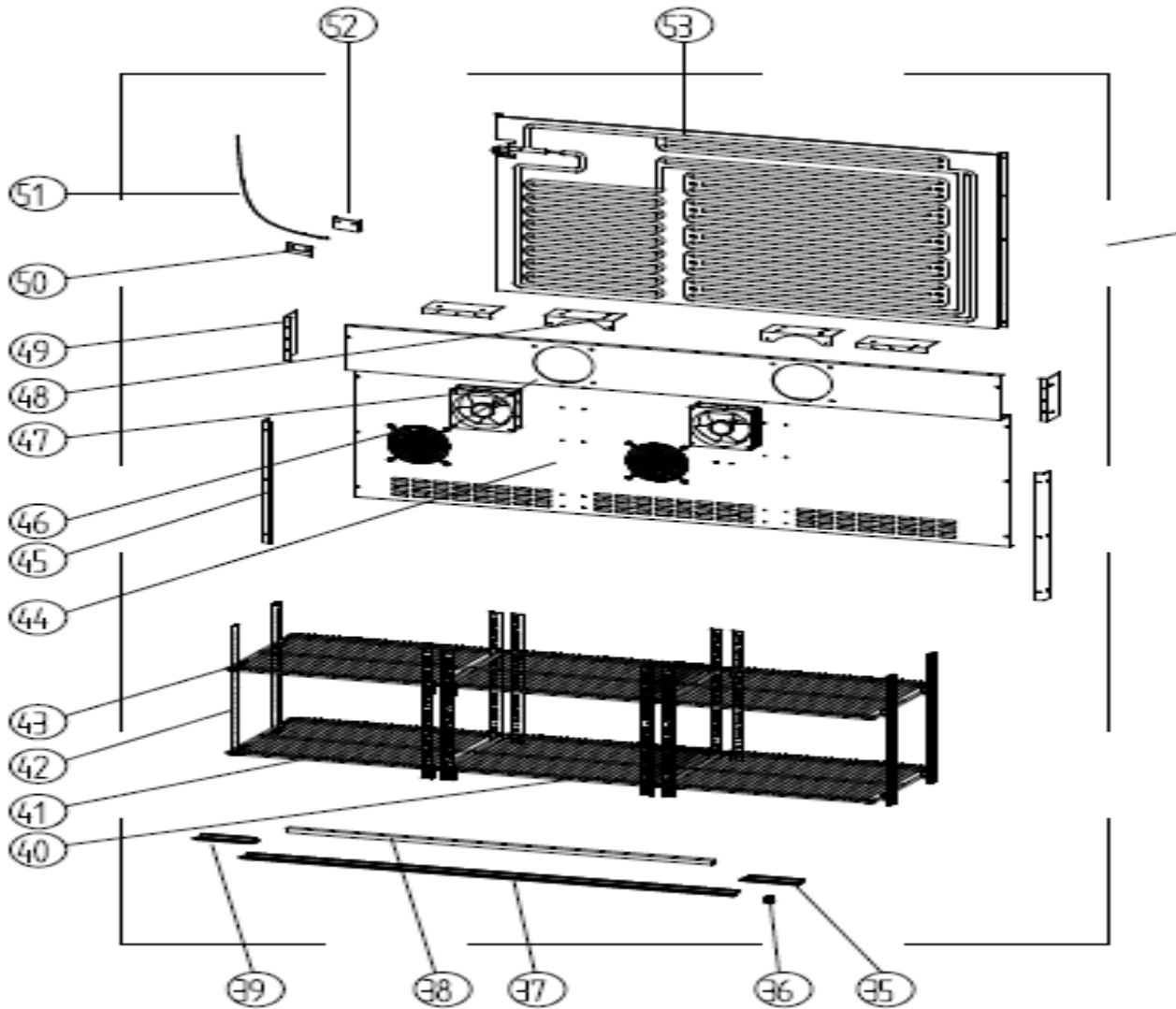
## Exploded parts diagram

Hinged door image shown









Part Number	Number	Description	Qty
***	1	Cabinet	1
***	2	Mullion Fixings	4
***	3	Centre Mullion	2
***	4	Rear Grille	1
***	5	Plug Top	1
R4-DRIER20G	6	Drier	1
***	7	Air Baffle	1
***	8	Fan Blade	1
***	9	Condenser	1
***	10	Cond. Fan Motor	1
***	11	Cond Fan Motor Bracket	1
***	12	Bottom Unit Support Plate	1
K8-FOOT	13	Feet	4
***	14	Controller Tunnel	1
***	15	Front Panel	1
***	16	Controller Clip Block	4
***	17	Controller Clip	4
***	18	Controller Box	1
K8-CONTROLLER	19	Controller	1
K8-COVER	20	Controller Cover	1
***	21	Door Support	2
***	22	Airflow Direction Baffle	1
K8-COMP02	23	Compressor	1
***	24	Panel	1
K8-DRIPTRAY	25	Vaporising Tray	1
K8-DRAIN	26	Drainpipe	1
***	27	RH Door	2
***	27	LH Door	1
***	28	Door Gasket	2
K8-HANDLE	29	Door Handle	3
K8-BUSH	30	Door Bush	3
K8-HINGEPIN	31	Upper Hinge Axis	3
***	32	Washer	3
***	33	Mounting Block	3
K8-HINGE01	34	Lower Hinge R/H	2
K8-HINGE02	34	Lower Hinge L/H	1
***	35	Light Cover Left	1
***	36	Light Switch	1
***	37	Light Cover	1
***	38	Light Strip	1
***	39	Light Cover Right	1

***	40	Middle Shelf	2
***	41	End Shelf	4
***	42	Ladder Racks	8
K8-SHELFCLIP	43	Shelf Clips	24
***	44	Evaporator Cover	1
***	45	Long Support	2
***	46	Evap Fan Guard	2
C5-AXIAL120MM	47	Evap Fan Motor	2
***	48	Evap Plate Support	2
***	49	Short Support	2
***	50	Sensor Clamp	1
K8-PROBE	51	Air Sensor	1
***	52	Sensor Padding	1
***	53	Evaporator	1

**\*\*\* Please contact Spares for assistance \*\*\***