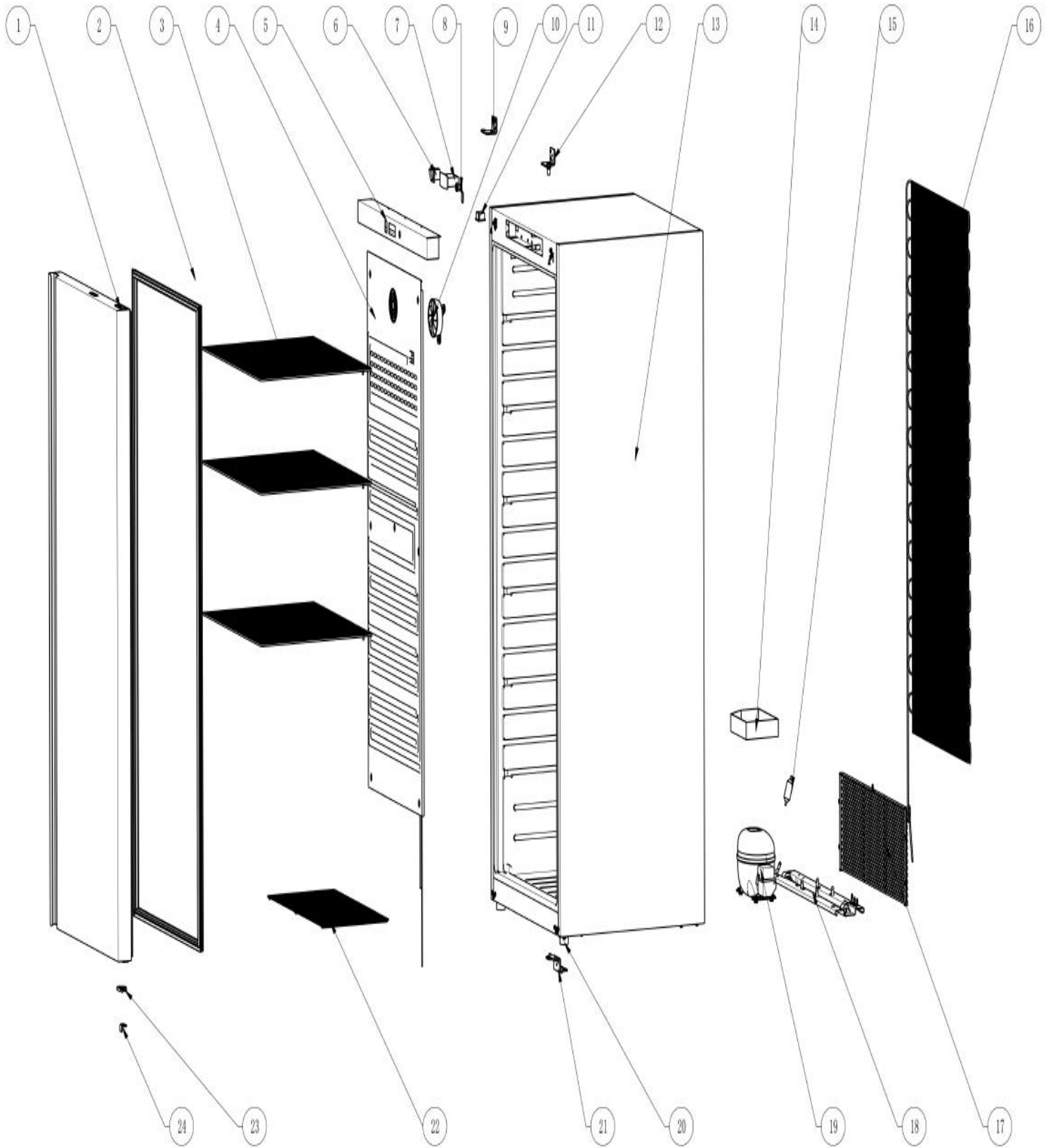


HW/HS40

Exploded parts diagram







Part Number	No.	Description	Qty
V2-DOOR40SS	1	Door (SS)	1
V2-DOOR40W	1	Door (White)	1
V2-GASKET40	2	Door Gasket	1
V2-SHELF40L	3	Large Shelf	3
V2-EVAP40	4	Evaporator	1
V2-PANEL40S	5	Front Panel (SS)	1
V2-PANEL40	5	Front Panel (White)	1
V2-MAINSWITCH	6	Main Switch	1
V2-CONTROLLER	7	Controller	1
V2-LOCK	8	Lock	1
***	9	Top Hinge (Left Bracket)	1
V2-EVAPFAN	10	Evaporator Fan	1
V2-FANSWITCH	11	Fan Switch	1
V2-HINGE01	12	Top Hinge Right	1
***	13	Cabinet	1
V2-VAPTRAY	14	Vaporising Tray	1
R4-DRIER20	15	Drier	1
V2-COND40H	16	Condenser	1
***	17	Rear Grille	1
***	18	Compressor Board	1
V2-COMP40H	19	Compressor	1
V2-FOOT	20	Adjustable Feet	2
V2-HINGE02	21	Bottom Hinge Right	1
V2-SHELF40S	22	Small Shelf	1
V2-DOOROPEN	23	Door Opening Stop	1
V2-DOORCLOSE	24	Door Closing Stop	1

*** Please contact Spares for assistance***