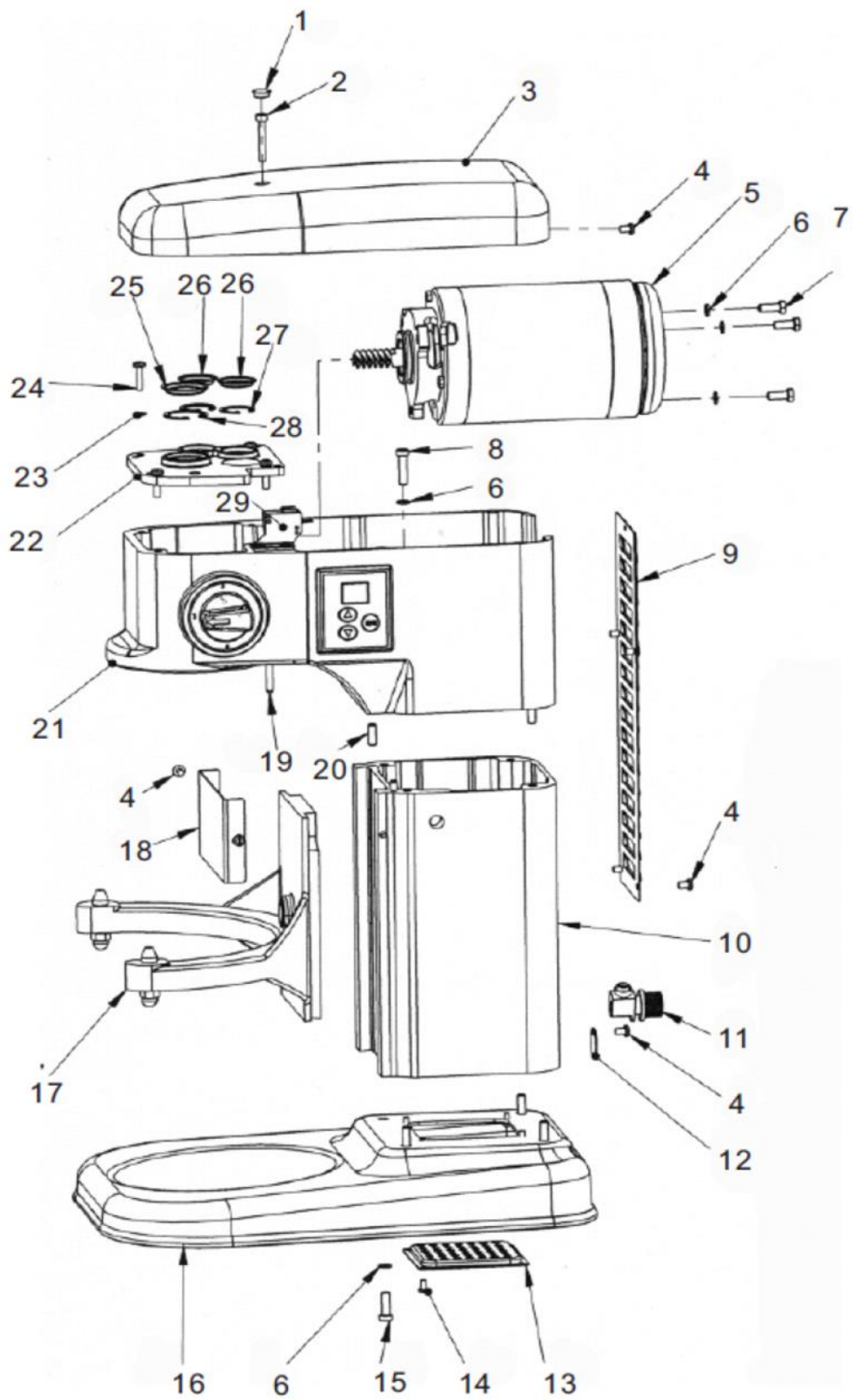


FMX7

Exploded parts diagram

Full Machine



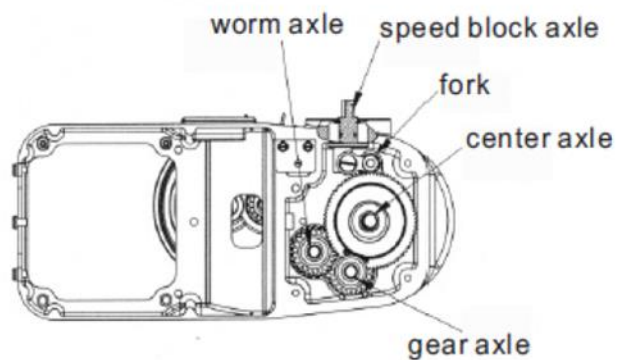
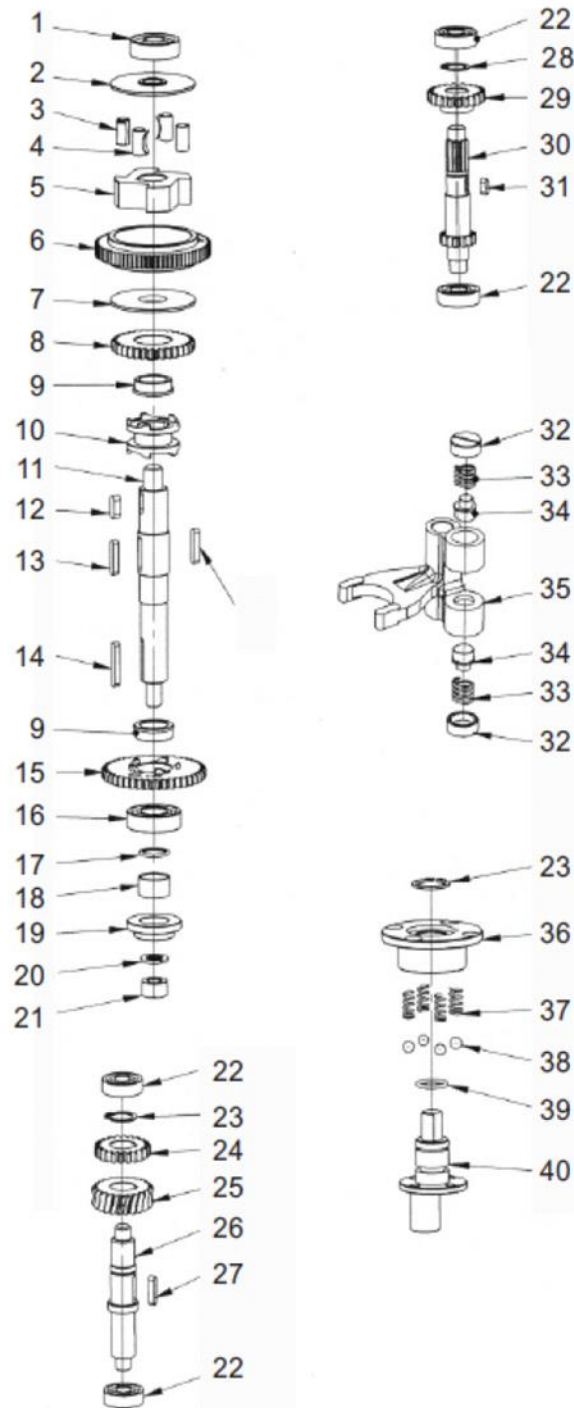




Part Number	Number	Description	Qty
***	1	Plastic Cover	1
***	2	Top Cover Screw	1
***	3	Top Cover	1
***	4	Screw	10
***	5	Motor	1
***	6	Spring Ring	7
***	7	Screw	3
***	8	Screw	4
***	9	Rear Cover	1
***	10	Stand	1
***	11	Cable Connector	1
***	12	Electrical Grounding	1
***	13	Base Vent	1
***	14	Screw	4
***	15	Screw	4
***	16	Base	1
***	17	Arm	1
***	18	Panel	1
***	19	Safety Guard Locating Pin	1
***	20	Pin	1
***	21	Body	1
***	22	Bearing Cover	1
***	23	Spring Ring	4
***	24	Screw	6
***	25	Centre Axle Cover	1
***	26	Gear Axle Cover	2
***	27	Stop Ring	2
***	28	Stop Ring	2
***	29	Safety Guard Switch	1

*** Please contact Spares for assistance***

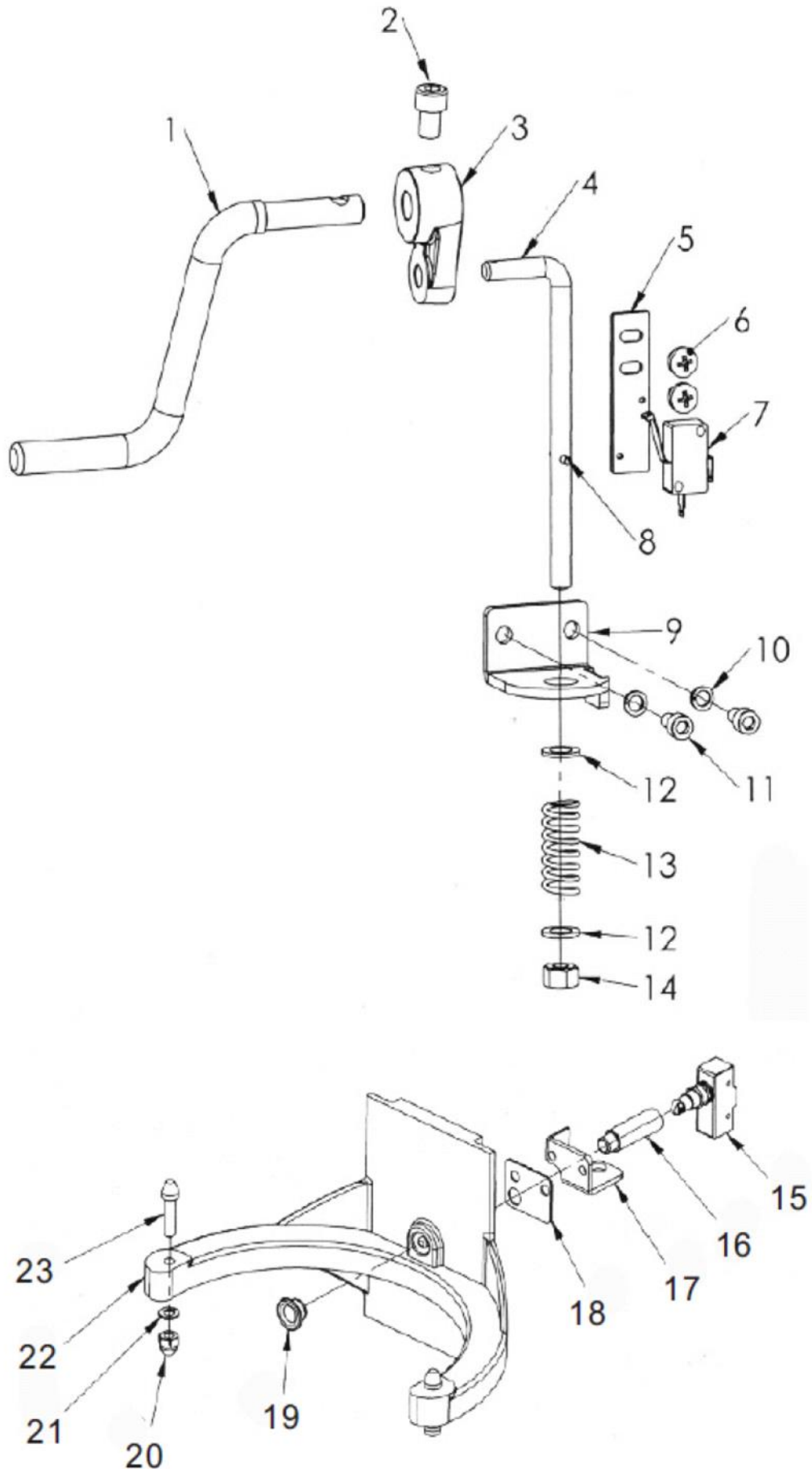
Gear Assy



Part Number	Number	Description	Qty
***	1	Bearing 6201	1
***	2	Cover	1
***	3	Roller	4
***	4	Spring	4
***	5	Engager	1
***	6	Gear Ring	1
***	7	Dividing Ring	1
***	8	Joint Gear	1
***	9	Bearing Ring	2
***	10	Joint	1
***	11	Centre Axle	1
***	12	Key 5*14	1
***	13	Key4*22	2
***	14	Key4*28	1
***	15	Big Joint Gear	1
***	16	Bearing 6003	1
***	17	O Ring 6*1.8	1
***	18	Centre Axle Sleeve	1
***	19	Big Joint Gear Sleeve	1
***	20	Spring Ring 10	1
***	21	Nut M10	1
***	22	Bearing 6000	4
***	23	Stop Ring 16	2
***	24	Gear	1
***	25	Worm Gear	1
***	26	Worm Axle	1
***	27	Key 4*18	1
***	28	Stop Ring 13	1
***	29	High Speed Gear	1
***	30	Gear Axle	1
***	31	Key 4*10	1
***	32	Forks Nut	2
***	33	Forks Spring	2
***	34	Forks Small Axle	2
***	35	Fork	1
***	36	Speed Block	1
***	37	Spring	4
***	38	Steel Ball 5	4
***	39	O Ring 11.8*1.8	1
***	40	Speed Block Axle	1

*** Please contact Spares for assistance***

Bowl Lifter Unit

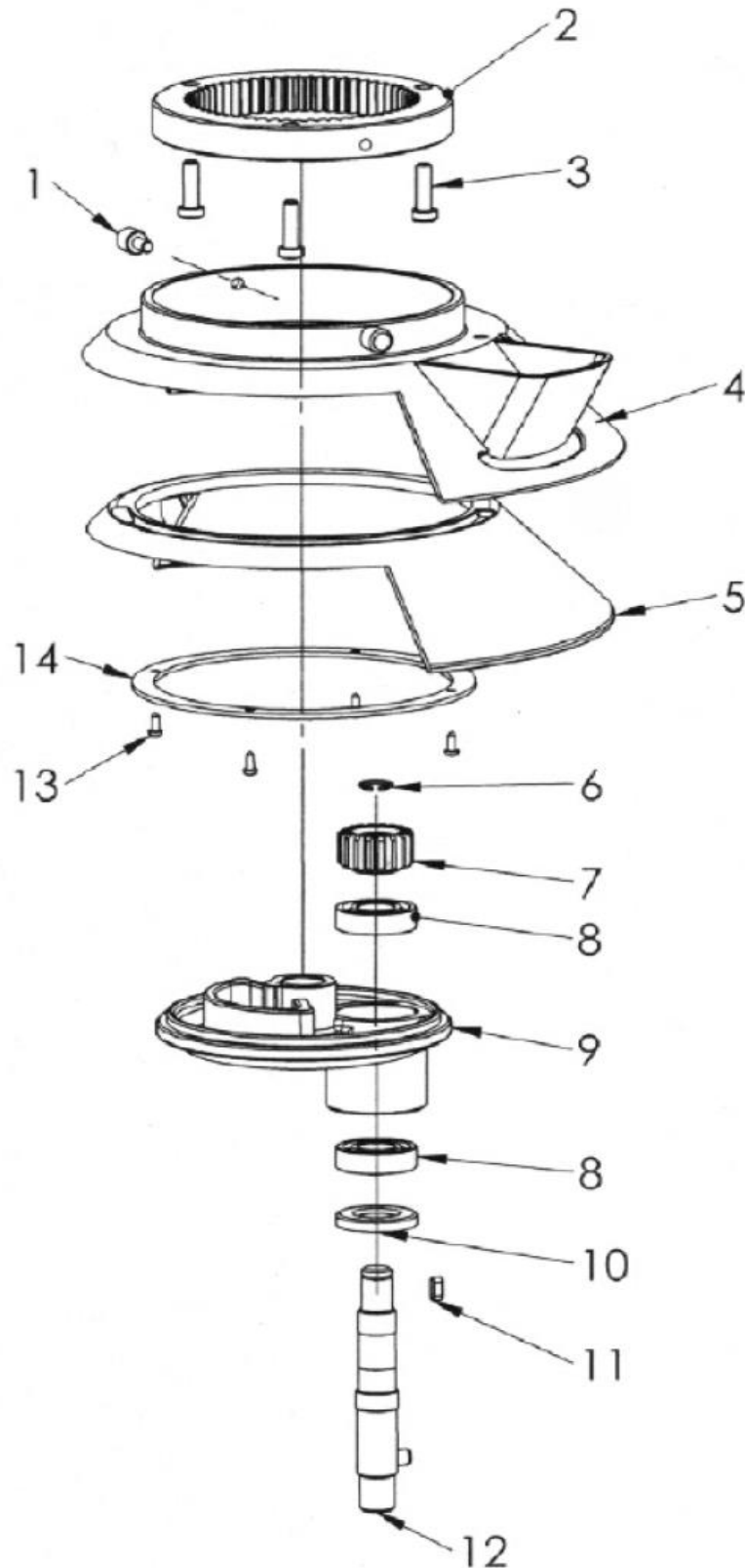




Part Number	Number	Description	Qty
***	1	Handle	1
***	2	Screw M8*12	1
***	3	Crankthrow Wheel	1
***	4	Lifting Bar	1
***	5	Lifting Switch Board	1
***	6	Screw M6*8	2
***	7	Micro Switch	1
***	8	Pin 3*18	1
***	9	Pull Plate	1
***	10	Spring Ring 6	2
***	11	Screw M6*12	2
***	12	Flat Washer	2
***	13	Arm Spring	1
***	14	Nut M8	2
***	15	Micro Switch	1
***	16	Switch Nut	1
***	17	Switch Bracket	1
***	18	Switch Plate	1
***	19	Nut	1
***	20	Nut	2
***	21	Spring Ring	2
***	22	Arm	1
***	23	Bowl Screw	2

*** Please contact Spares for assistance***

Turning Plate & Mixing Axle

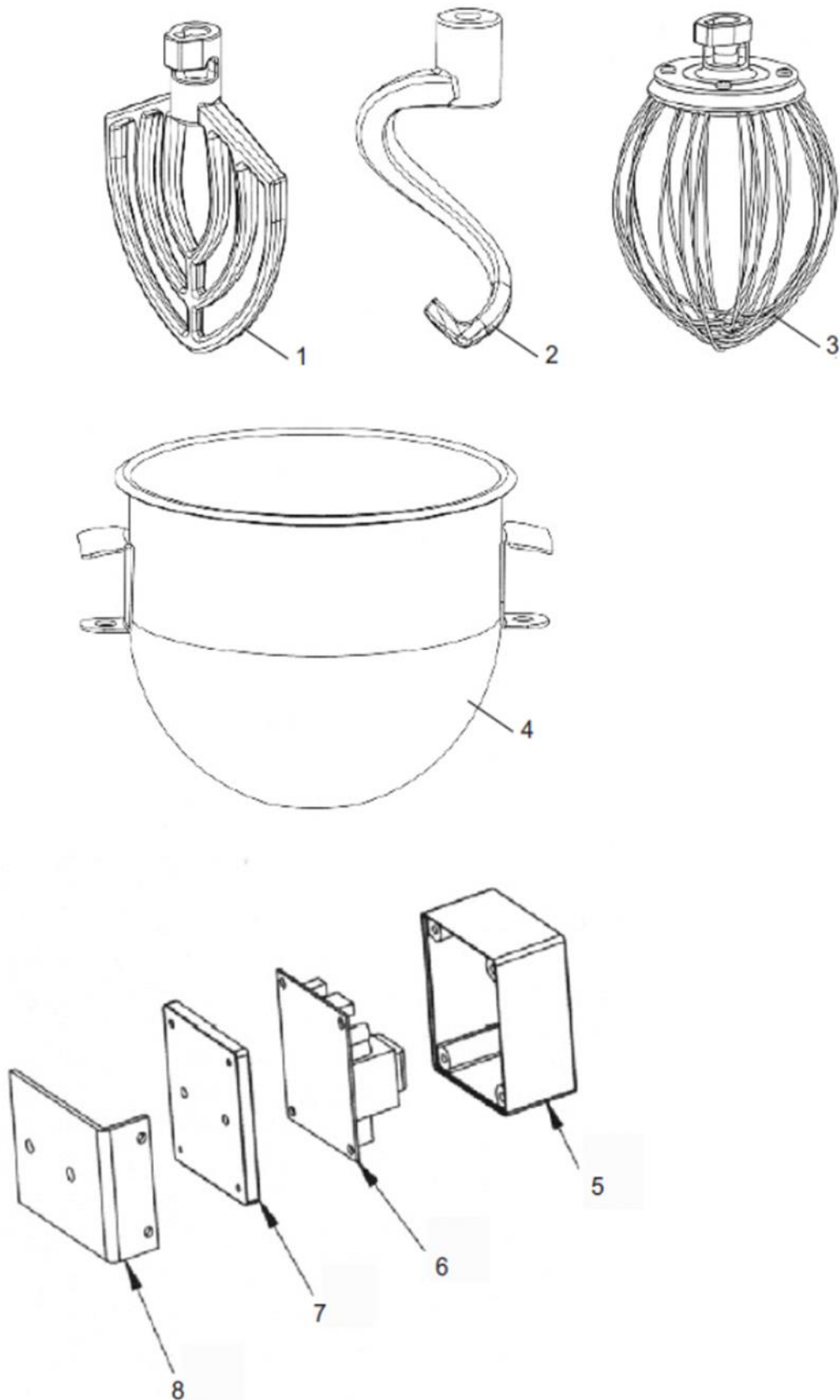




Part Number	Number	Description	Qty
***	1	Guard Screw	2
***	2	Inner Gear	1
***	3	Screw M6*20	4
***	4	Safety Guard (A)	1
***	5	Safety Guard (B)	1
***	6	Stop Ring 12	1
***	7	Planetary Gear	1
***	8	Bearing 6002	2
***	9	Turning Plate	1
***	10	Oil Seal PD32*17*5	1
***	11	Key 4*10	1
***	12	Mixing Axle	1
***	13	Screw	4
***	14	Safety Guard Ring	1

*** Please contact Spares for assistance***

Standard Accessories





Part Number	Number	Description	Qty
B3-F05001A	1	Flat Beater	1
B3-HOOKFMX7	2	Dough Hook	1
B3-F05003	3	Wire Whip	1
***	4	Bowl	1
***	5	Driver Box	1
***	6	Driver	1
***	7	Driver Box Cover	1
***	8	Driver Fixing Plate	1

*** Please contact Spares for assistance***