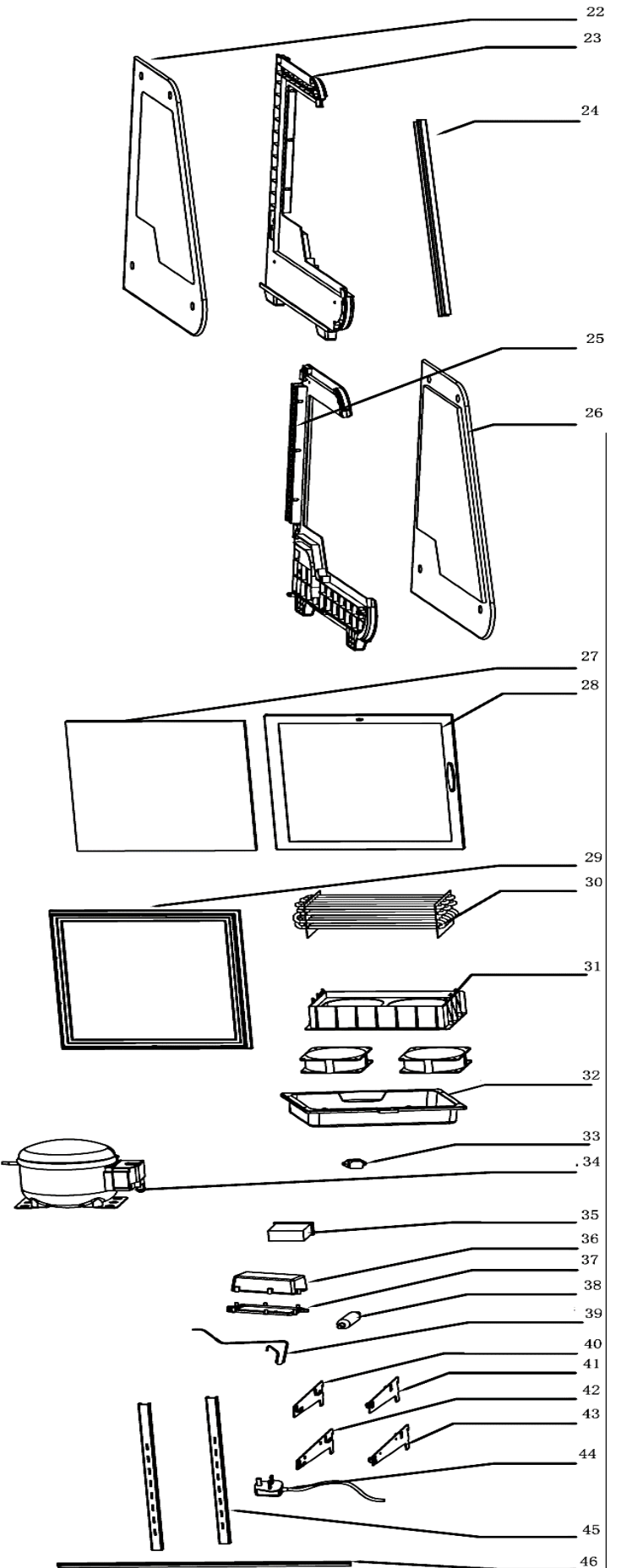
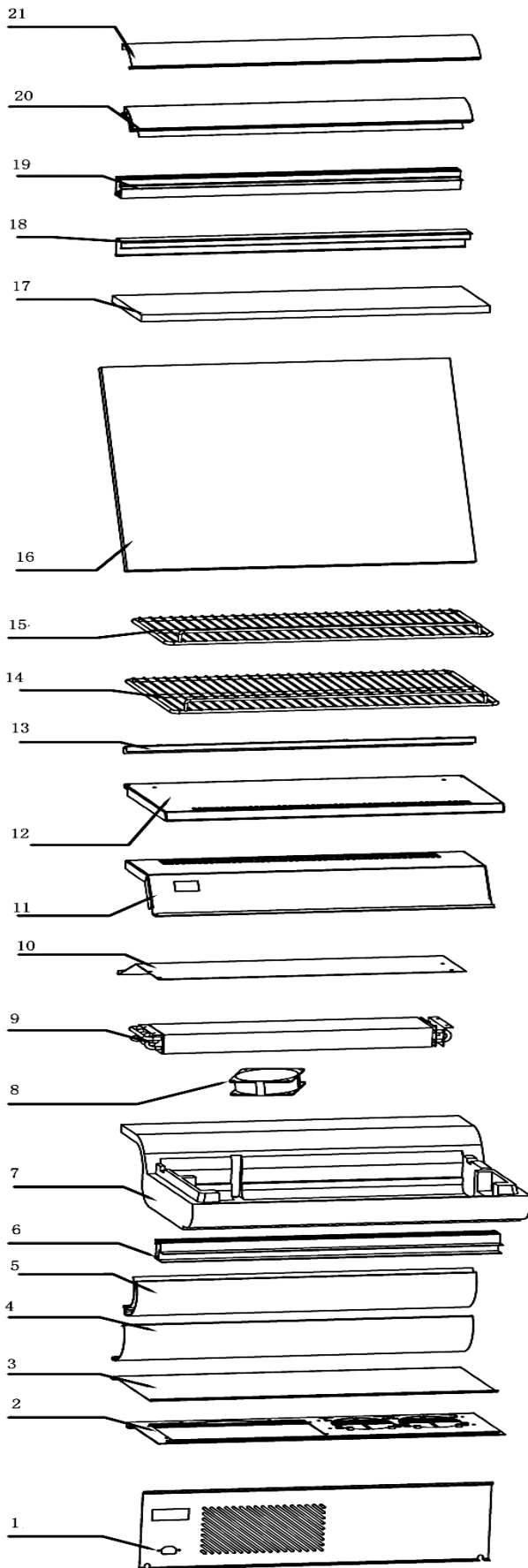




COLDT1/2

Exploded parts diagram

Diagram shown is COLD TOP 2





Part Number	Number	Description	Qty
B4-LAMP02	46	LED Lamp (ColdT2)	1
B4-LAMP01	46	LED Lamp (ColdT1)	1
***	45	Pillar Bracket	2
***	44	Power Cord	1
***	43	Bottom Right Shelf Bracket	1
***	42	Bottom Left Shelf Bracket	1
	41	Top Right Shelf Bracket	1
	40	Top Left Shelf Bracket	1
B4-PIPE02	39	Vaporising Heater (ColdT2)	1
B4-PIPE01	39	Vaporising Heater (ColdT1)	1
***	38	Drier	1
***	37	PCB Base	1
***	36	PCB Cover	1
B4-STAT03	35	Controller (ColdT2/ColdT1)	1
B4-COMP01	34	Compressor (ColdT2/ColdT1)	1
***	33	Socket	1
***	32	Compressor Base	1
***	31	Condenser Cover	1
***	30	Condenser	1
B4-DOORCOLD2	29	Outer Door Frame (ColdT2) Available as Full Door Assy	2
B4-DOORCOLD2	28	Inner Door Frame (ColdT2) Available as Full Door Assy	2
B4-DOORCOLD2	27	Door Glass (ColdT2) Available as Full Door Assy	2
B4-DOORCOLD1	29	Outer Door Frame (ColdT1) Available as Full Door Assy	2
B4-DOORCOLD1	28	Inner Door Frame (ColdT1) Available as Full Door Assy	2
B4-DOORCOLD1	27	Door Glass (ColdT1) Available as Full Door Assy	2
B4-GLASS/SIDE01	26	Right Glass (ColdT2/ColdT1)	1
***	25	RH Glass Support	1
***	24	Front Glass Seal	1
***	23	LH Glass Support	1
B4-GLASS/SIDE02	22	Left Glass (ColdT2/ColdT1)	1
***	21	Top Panel	1
***	20	Top Pillar (Front)	1
***	19	Top Pillar (Rear)	1
***	18	Rear Panel	1
***	17	Top Glass	1
***	16	Front Glass	1
***	15	Small Shelf	1
***	14	Large Shelf	1
***	13	Fixing Bar Front Glass	1
***	12	Rear Vent Tray	1
***	11	Front Vent Tray	1
***	10	Evap Cover	1
B4-EVAPCOIL2	9	Evap (Evap ColdT2)	1
***	9	Evap (ColdT1)	1
B4-FAN01	8	Evap Fan Motor (ColdT2/ColdT1)	1

***	7	Evap Insulation	1
***	6	Rear Centre Pillar	1
***	5	Front Bottom Pillar	1
***	4	Front Lower Panel	1
***	3	Front Baseplate	1
***	2	Rear Baseplate	1
***	1	Rear Base Panel	1

***** Please contact Spare for assistance *****