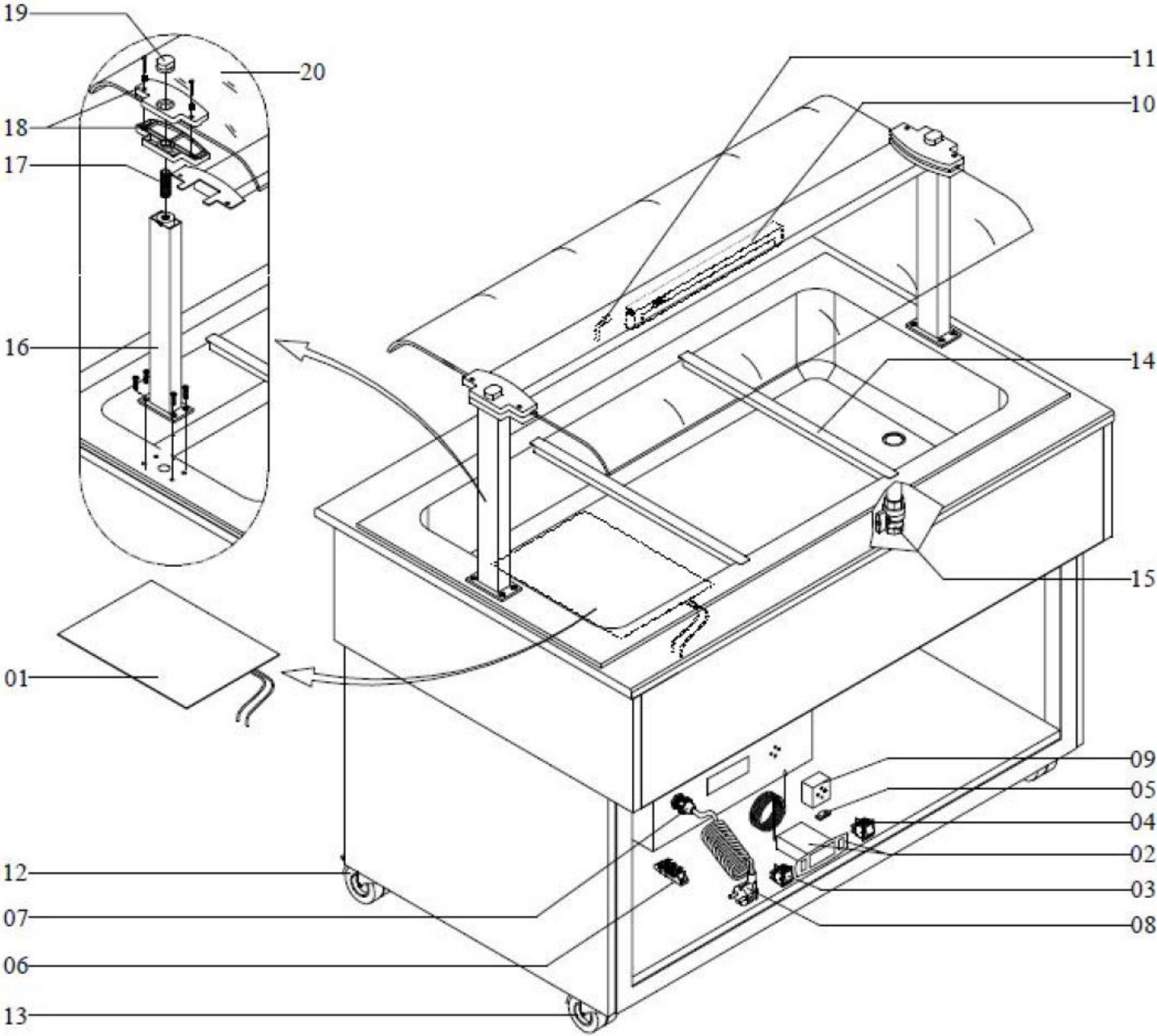


BB3, BB4 & BB5 & BHD1250, 1570, 1890 – HOT

Exploded parts diagram

(Image shown is a BB3, Parts breakdown representative of all model variants)







Number	Description
1	Heating Element
2	Controller
3	On/Off Switch
4	Light Switch
5	Cable Holder
6	Connector
7	Cable Gland
8	Power Cord
9	Plug Holder
10	Light Fitting
11	Lighting Cable
12	Castor
13	Braked Castor
14	Gastronorm Pot Spacer Bar
15	Butterfly Valve
16	Glass Shelf Bracket
17	Glass Shelf Bolt
18	Glass Shelf Holder
19	Shelf Stopper
20	Glass Shelf

*** Please contact Spares for assistance ***