



Storm Hood Dishwasher

User Manual

Read these instructions carefully before using your Glasswasher, and care for it properly.

If you follow the instructions, your dishwasher will provide you with many years of good service.






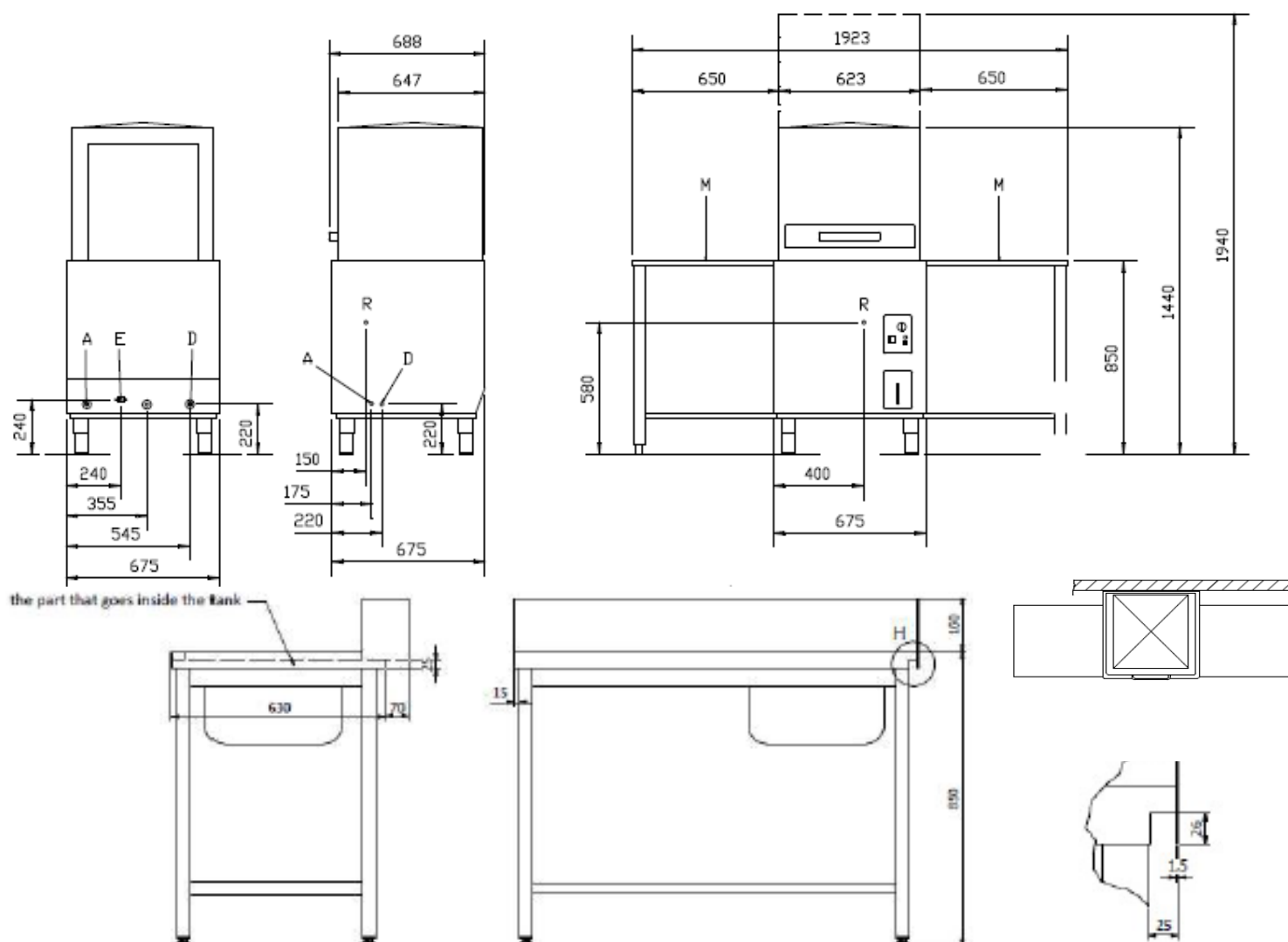
				
PRECAUCIÓN	TENSIÓN PELIGROSA	LEA LAS INSTRUCCIONES	TIERRA DE PROTECCIÓN	EQUIPOTENCIALIDAD
PRÉCAUTION	TENSION DANGEREUSE	LISEZ LES INSTRUCTIONS	TERRE DE PROTECTION	ÉQUIPOTENTIALITÉ
WARNING	HAZARDOUS VOLTAGE	PLEASE READ INSTRUCTIONS	PROTECTIVE EARTH	EQUIPOTENTIAL BONDING
VORSICHT	GEFÄHRLICHE SPANNUNG	ANLEITUNG GRÜNDLICH LESEN	SCHUTZ-ERDE	POTENZIALAUSGLEICH
PRECAUZIONE	TENSIONE PERICOLOSA	LEGGERE LE ISTRUZIONI	TERRA DI PROTEZIONE	EQUIPOTENZIALITÀ
OSTRZEŻENIE	WYSOKIE NAPIĘCIE	NALEŻY PRZECZYTAĆ INSTRUKCJĘ	UZIEMIENIE OCHRONNE	PODŁĄCZENIE EKWIPOWOTENCJALNE
UYARILAR	TEHLİKELİ GERİLİM	LÜTFEN TALİMATLARI OKUYUN	TOPRAK KORUMASI	EŞ POTANSİYELLİ BAĞLANTI

Fig1: Dimensions (mm)

Storm 100BTDP



A	D	E	R
Water inlet	Drain hose	Power Supply Cable Strain Relief	Terminal Box

Fig. 2

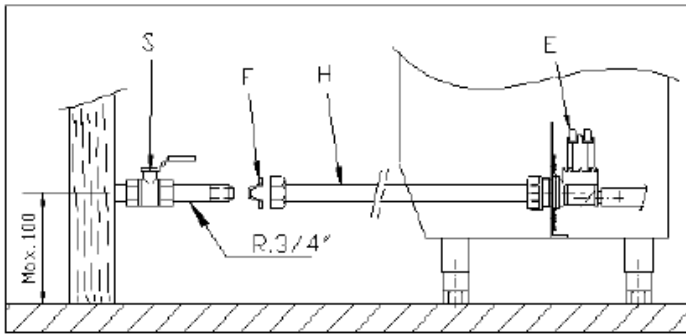


Fig. 3

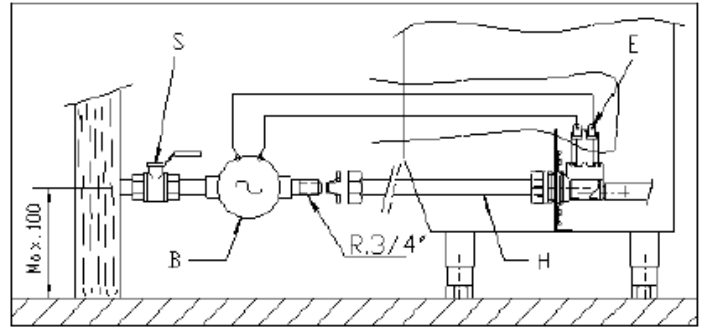


Fig. 4

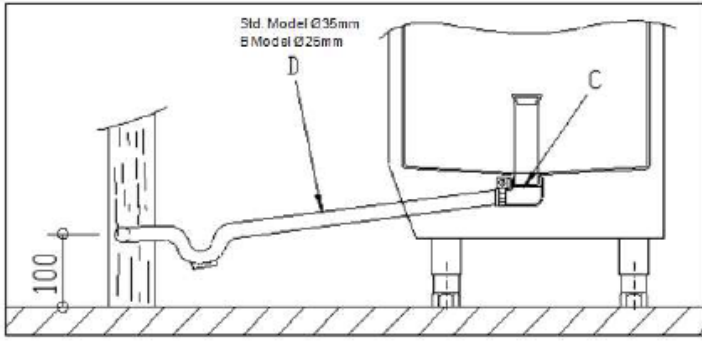


Fig. 5

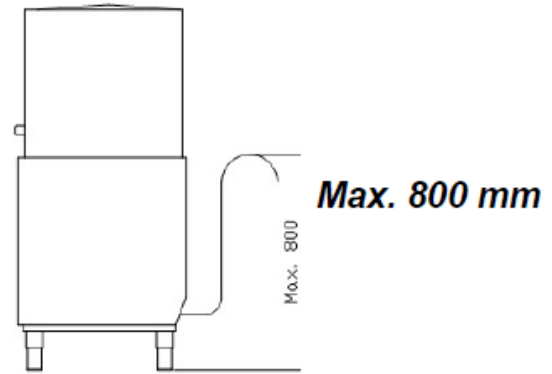


Fig6 230V 1N

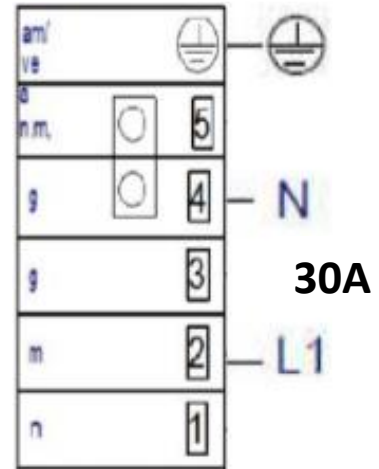
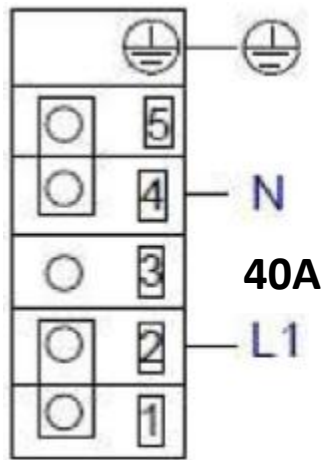
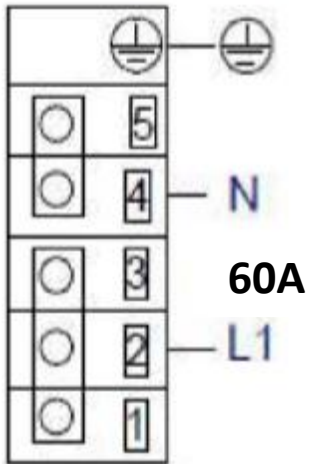


Fig8 400V 3N

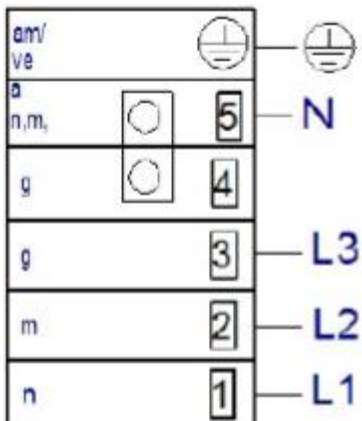


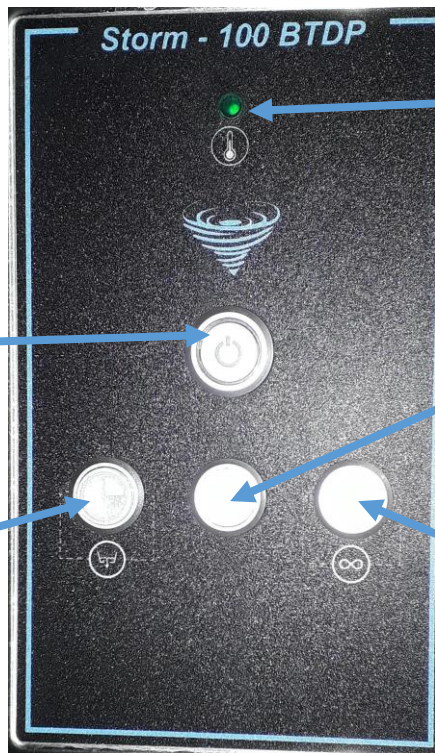
Fig. 7

Control Panel:

Cycle buttons illuminate to indicate which cycle is running. Flashing indicates secondary switch function is operational.

On/Off switch, press and hold for 3 seconds switches the power On / Off.

Press and release to start a Short cycle, button illuminates during a cycle. **Press and hold initiates drain down cycle (door open, drain plug removed)**



Temperature satisfied indicator. Illuminates when at full temperature

Press and release to start a medium cycle

Press and release to start a long cycle. **Press and Hold initiates a Permanent wash 5 mins**

QUICK GUIDE

Filling and Heating:

Ensure drain plug and filters are in position, close door and press the on/off button for 3 seconds. The machine fills up and stops when full and heats up, switch on ½ hr before first use, when temperature is fully satisfied the temperature satisfied light illuminates, unit is ready for use.

Wash:

Remove scraps from items before loading into the basket, open the door and insert basket, close door. Press and release the cycle button relating to the length of wash required, the cycle button will illuminate when a cycle is in action. The cycle light goes out when the cycle is complete. Open the door when finished and leave tray to dry (2 mins) before handling. Cycle auto-starts the same cycle when closing door

Drain:

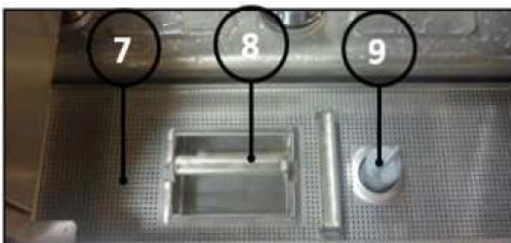
Gravity drain version: Switch off the unit, Open door, remove overflow drain plug(9), LEAVE FILTER IN POSITION. **Fig 3**

Pump drain version: Open door, remove overflow drain plug, LEAVE FILTER IN POSITION **Fig 3**, press and hold the short cycle button for 3 seconds, the drain pump will start and the button will flash, when empty switch off the unit by pressing the on/off button.

Cleaning:

Daily: drain machine, only when fully drained, remove filters **(7) (8)** and clean thoroughly, slide up lower filter and clean **(10)**. Check upper and lower wash arms spin freely by hand. Replace cleaned filters immediately and insert overflow drain plug. Clean and dry the machine with a soft cloth. Check detergent and Rinse-aid chemicals are topped up.

Weekly: Check all upper and lower wash jets and rinse jets for blockages, remove and clean as necessary. If wash arms are stiff, remove wash arms and clean arms and spigot thoroughly.



2. GENERAL INFORMATION AND WARNINGS

This manual has been created to help you understand the operation, installation and maintenance of the machine. It contains all the necessary information and warnings to ensure that the appliance is installed and used correctly, together with information about the characteristics and possibilities offered, so that you may enjoy your machine to the full.



BEFORE STARTING THE APPLIANCE, PLEASE READ THE INSTRUCTIONS CONTAINED IN THIS MANUAL CAREFULLY.



**The manual should be kept safely to hand for future reference.
If the machine is sold or transferred, please pass the manual to the new user.**

THIS APPLIANCE IS EXCLUSIVELY FOR PROFESSIONAL USE, AND SHOULD ONLY BE USED BY QUALIFIED PERSONNEL.

- The positioning and installation, and all repairs or modifications, should always be carried out by an **AUTHORISED TECHNICIAN**, in accordance with the applicable legislation of the country. The manufacturer does not accept liability if the machine is incorrectly installed.
- The installation, incorrect adjustment, inappropriate maintenance or use of the appliance may cause material damages and injuries.
- The dishwasher should be correctly levelled and care taken to ensure that none of the electric cables, water or drainage hoses are trapped or kinked.
- DO NOT** climb on top of the dishwasher or place heavy objects on top of the machine as it has only been designed to bear the weight of the basket of plates to be washed.
- The dishwasher is designed for washing plates, glasses and other kitchenware with traces of human food. Any other objects must not be washed in the machine.
 - If your machine breaks down, please call the Technical Service Centre.
 - Unqualified or unauthorised personnel must **NOT** try to repair the machine.
 - Use of spare parts other than original parts will cancel the guarantee.
 - During all maintenance operations, the dishwasher must be disconnected from the main



supply at the mains power switch, and the water intake tap must be closed.

- Abrasive or corrosive products, acids, solvents and chlorine-based detergents must **NOT** be used to clean the appliance, as this may damage the components.
- This appliance has been designed for use in ambient temperatures between 5 °C and 40 °C.
- Only the baskets, soaps and rinse aids recommended by the manufacturer should be used.



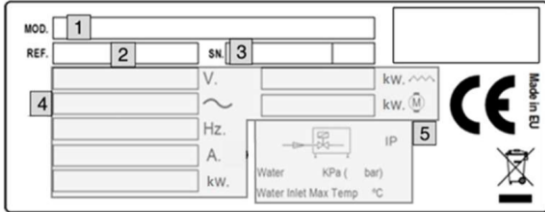
FAILURE TO COMPLY WITH THESE INSTRUCTIONS OR THE INCORRECT USE OF THE APPLIANCE SHALL RELIEVE THE MANUFACTURER OF ANY OBLIGATIONS REGARDING THE GUARANTEE OR POSSIBLE CLAIMS.

3. PRODUCT DETAILS

The machine which you have just purchased is specially designed for cleaning tableware, glassware and other items of kitchenware used in the hotel and catering sector. As it is an industrial product, it is characterised for having a high dishwashing capacity.

All the appliances have a specifications plate which identifies the appliance and indicates its technical characteristics, it is located on one side of the machine. Don't remove the specifications plate from the unit.

SPECIFICATIONS PLATE



- 1: APPLIANCE MODEL NAME
- 2: APPLIANCE REFERENCE
- 3: SERIAL NUMBER + MANUFACTURE DATE
- 4: ELECTRICAL SPECIFICATIONS
- 5: WATER INLET SPECIFICATIONS

These details should be quoted when the technical service is called.

3.1 General specifications

Model	Voltage supply	Boiler			Reservoir			Water consumption per cycle (Ltr/Cyc)	Sound Level
		Cap (Ltr)	Temp (°C)	Power (W)	Cap (Ltr)	Temp (°C)	Power (W)		
Storm100BTDP	230V 50Hz	7	85	12000	45	60	4500	3	65dBA
	400V 50Hz			12000					

3.1 Specific Characteristics

Model	Cold Rinse option	Wash Cycles		Detergent and Rinseaid valves fitted	Thermostop	Wash Capacity (Baskets/hr)
		No.	Length (S)			
Storm100BTDP	NO	3	55 / 75 / 120	YES	YES	40

4. INSTALLATION INSTRUCTIONS



The positioning and installation, and all repairs or modifications, should always be carried out by an **AUTHORISED TECHNICIAN**, in accordance with the applicable legislation of the country. The installation, incorrect adjustment, inappropriate maintenance or use of the appliance may cause material damages and injuries.

4.1 Removal of packaging

Remove packaging from the machine and check for damage during transportation. If any damage is observed, immediately notify the supplier and the transport company. In the event of doubt, do not use the machine until the problem has been assessed.



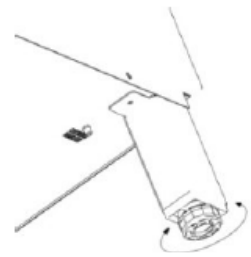
Packaging (plastic, expanded polyurethane, staples, etc...) must not be left in the reach of children, they are a potential hazard.

The machine should be moved using a fork-lift truck or similar to avoid damage to the structure. Transport the machine to the installation location and then remove packaging. All the packaging can be recycled. Dispose of packaging correctly.

4.2 Positioning and levelling

This appliance has adjustable feet to allow it to be adjusted to the correct height, this is done by turning the foot to the desired height. For optimum operation, it is essential that the machine is correctly levelled. The flooring on which the machine is to be installed must be able to bear the full weight of the machine.

Inspect final location of the machine prior to installation to prevent damage during use.



4.3 Electrical connection

An **AUTHORISED TECHNICIAN** should always carry out the appliance's electrical connection. The legal standards in force in each country regarding connection to the mains should be taken into account.



- Check that the mains voltage corresponds to that indicated on the nameplate.
- The electric cable should be flexible, with an oil-proof covering, and it should not weigh less than the cable in an ordinary sleeve made of standard polychloroprene or an equivalent synthetic elastomer (H07RN-F).
- The cross-section of the power cable must be suitable for the rated current of the machine.
- An easily accessible switch device should be installed next to the appliance for all the phases, with a minimum gap of 3 mm between contacts. This switch should be used to disconnect the appliance during installation, repair, cleaning and maintenance work. The switch should have fuses suitable for use with the rated current (A) of the machine. Alternatively, a suitable magneto-thermal switch may be used.
- The appliance must be earthed using a differential protector. The manufacturer will not be held liable for damage originated by failure to observe this requirement.
- If any faults are observed during the installation, the supplier should be notified immediately.



The manufacturer will not be held liable for any personal or material damage to the machine resulting from incorrect installation or failure to comply with the manufacturer's specifications

4.3.1 Electrical specifications of the installation

Model	Supply Voltage	Max Electrical power(KW)	Amp (A)	Net Weight (Kg)
Storm100BTDP	230V 1N 50/60Hz	12.2	53	126
Storm100BTDP	400V 3N 50/60Hz	12.2	29.1	126

4.3.2 Voltage Configuration of the machine

The voltage configuration of the machine is stipulated on the nameplate (400V 3N~50Hz/60Hz). This configuration can be changed to 230V 1N, see **fig6** and **fig8**. Authorised personnel only to change this configuration.

4.4 Hydraulic connection

The new hoses supplied with the appliance should be used (do not reuse old hoses). Before connecting the machine to the water supply, the water quality should be tested. Recommended water quality:

Water Temp (T):	Max. 60°C	Total water hardness:	5-10°fH (French degrees)
pH:	6.5 - 7.5		7 – 14 °eH (English degrees)
Impurities:	Ø < 0.08 mm		9 – 18 °dH (German degrees)
Chlorides:	max. 150 mg/l	Conductivity:	400 - 1,000 µS/cm
Cl:	0.2 - 0.5 mg/l		

If the water hardness is more than 10 °fH (French degrees), a water softener must be installed. In addition to water quality, the pressure of the mains water supply must be considered. This is important to ensure the machine operates correctly.

Required water pressure:

Dynamic Pressure	MIN.				MAX.			
	bar	kPa	Kg/cm2	psi	bar	kPa	Kg/cm2	psi
	2	200	2.03	29	3.5	350	3.56	50.76

If the water pressure is higher than the recommended pressure, a pressure regulator must be mounted at the output Fig. 2. If the mains water pressure is lower than the recommended pressure, a pressure pump should be mounted at the mains water supply Fig. 3. It is not necessary to install a pressure pump in the BT models.

Fig. 2. Direct connection of water input hose.

Fig. 3. Pressure pump connection.

S → SHUT-OFF COCK F → FILTER H → WATER HOSE5

E → ELECTROVALVE B → ELECTRIC PRESSURE PUMP

The following requirements are necessary for the correct hydraulic installation of the machine.

- The hydraulic circuit must be fitted with a valve to shut-off the water supply.
- Check that the mains pressure is within the range indicated above.
- To optimise the working of the machine, the manufacturer recommends that the water temperature at the machine intake is within +5°C and 60°C.
- If using hot water, the water temperature must not exceed 60 °C / 140 °F.
- All the machines should have a ¾" screw-on connection.

4.5 Drainage connection

5 For Australia, watermark certified inlet hose and backflow prevention device. Must be installed in accordance with AS/NZS3500.1 (water service supply) including installation of the supplied backflow prevention device.

The water draining from the machine must flow freely and therefore the drainage pipe should be lower than the drainage outlet Fig. 4. If the drainage pipe is not lower, a drainage pump will be required. This must not be mounted at a height of more than 800 mm Fig. 5. In this case, the pump may be requested at the time of purchase or subsequently. Drain pipes of 31mm in diameter must be installed in accordance with AS/ NZ3500.2 (drainage) by means of coupled connection to a DN50 or larger pipe

Fig. 4. Drainage installation. 6

Fig. 5. Installation of drainage at a height using drainage pump.



The drainage pump must only be installed by personnel authorised by the manufacturer, and the manufacturer does not accept liability in the event of incorrect installation.

4.6 Mechanical / Electric (BTmodels) rinse aid dispenser

Operation: The mechanical dispenser absorbs the rinse aid when it detects a loss in pressure during rinsing. That is, when the filling solenoid valve closes, a vacuum is created that makes the rinse aid dispenser absorb the fluid to which it is connected. The electric pump on BT models rinse-aid into the break-tank.

Adjustment: The dispenser should be adjusted when the machine is installed to ensure that the wash is optimised from the start. The setting should be adjusted according to the type of rinse aid and the water hardness.

4.7 Detergent dispenser

This ensures that the correct measure of detergent is supplied to the machine.

Installation: the detergent dispenser input must be in the tub of the machine, below the maximum water level. Please see the electrical circuit diagram for details of the electrical connection. The tub has an opening for the installation of the dispenser.

Operation: the detergent dispenser is activated when the machine is taking water, whether it is in rinse cycle or whether it is filling.

Settings: the measure of detergent used should be adjusted when the component is installed to ensure that the wash is optimised from the start.



The manufacturer recommends that the detergent and the dispenser setting are defined by a technician specialised in the use of chemical products in order to ensure a more efficient wash.

4.8 Pressure pump

If the mains water pressure is less than 2 bar (200 kPa), you have the option of installing a pressure pump. If the pressure is less than 2 bar (200kPa), the machine may operate incorrectly. The electrical connections for the pressure pump are shown in the electric circuit diagram. The water connection to the pressure pump is shown in Fig. 3.

If the mains water pressure is less than 2 bar (200 kPa), please contact your supplier or the manufacturer to request the PRESSURE PUMP KIT.



The pressure pump must only be installed by personnel authorised by the manufacturer, and the manufacturer does not accept liability in the event of incorrect installation.

5. USE AND MAINTENANCE INSTRUCTIONS

BEFORE STARTING THE APPLIANCE, PLEASE READ THE INSTRUCTIONS CONTAINED IN THIS MANUAL CAREFULLY.

THE APPLIANCE IS EXCLUSIVELY FOR PROFESSIONAL USE, AND SHOULD ONLY BE USED BY QUALIFIED PERSONNEL.

5.1 Operation

The steps required to optimise the operation of your dishwasher are shown below, with all the available options.

5.1.1 Control panel symbols Fig. 7

A. Machine on/off button. (ON/OFF) / Machine on pilot light

B. Machine ready pilot temperature satisfied

C. Short cycle button (55 s)/ Drainage button / Machine working pilot

D. Medium cycle button (750 s) / Machine working pilot

E. Long cycle button (120 s) / Constant wash button / Machine working pilot

5.1.2 Switching on the machine

Before switching on the machine, check the following:

- The mains switch must be on.
- The water stop cock must be open.
- There must be water in the mains network.
- The corresponding filters must be in place.
- The overflow should be mounted in place.
- The chemical tubes are inserted fully into liquid in the correct chemical bottles

To switch on the machine just press the ON-OFF button (A) once for 1.5 seconds.

5.1.3 Filling and heating

When the machine is switched on, it will start to fill. First the rinse boiler is filled and then the wash tub. The filling process may last a few minutes. Once the wash tub is full, the boiler starts to heat up and when it is hot, the tub is heated. Although it is possible to start the wash process, this is not recommended as the water inside the machine is not yet at the ideal temperature. When the machine has reached the ideal temperature for washing the dishes properly, the machine ready light comes on.

The temperature in the boiler should be between 82-90 °C and in the tank between 57-62 °C

The manufacturer recommends that the water in the glass washer is changed every 40/50 washes or twice a day.



The door must be closed for the machine to start filling. For safety reasons, if the door is open, the machine will not fill. **DO NOT** leave the door open for prolonged periods.

The machine you have purchased has a safety thermostat in the boiler and another for the tub, so that in the event of the breakdown of any of the main thermostats, the safety thermostats switch off the corresponding heating.



During the first heating of the day, the boiler may reach a higher temperature than that mentioned above due to heating inertia. This is normal. If pressurised steam is observed coming out of the rinse branch nozzles, while the boiler is heating, the technical service should be notified.

5.1.4 Preparation of the dishes

Before washing the dishes, the preparatory steps below should be followed:

- Remove the largest pieces of waste from the dishes before placing them in the baskets.
- Wash glassware first.
- Put the plates in the rack basket.
- Place the glasses upside down.
- Place the cutlery in the cutlery baskets with the handles downwards. The different pieces of cutlery can be mixed.
- Place the cutlery baskets in the lower baskets.

5.1.5 Selecting the wash cycle

Before starting the wash cycle, place the corresponding basket containing the dishes in the machine. To start the wash process first close the door and then select the wash cycle you wish to run for 1.5 s. The wash cycle will start automatically. Each wash cycle runs for a set time that is selected according to how dirty the plates are (55 s/75 s/120 s).



The door must be closed for the machine to start the wash cycle. For safety reasons, if the door is open, the wash cycle will not start.

5.1.6 Thermo-stop

The thermo-stop guarantees a constant rinse at a temperature of 85 °C. This means that the machine continues washing until the boiler reaches the ideal temperature. Then the rinse cycle starts.

5.1.7 Stopping the wash cycle and end of wash cycle

The wash cycle can be stopped in the following ways:

- By switching off the machine → the cycle stops completely.
- By opening the door → when the door is closed, the cycle continues.

At the end of the wash cycle, remove the basket and leave the dishes to dry naturally. Remove the dishes from the basket with clean hands, taking care not to burn yourself as the dishes are very hot.

5.1.8 Continuous wash cycle

The machine you have purchased has a continuous wash cycle so that heavily soiled items can be washed for a longer period. To activate the constant wash cycle, press and hold the long cycle button for 5 seconds, switch off or open the hood slightly to stop the cycle

5.1.9 Drainage of the machine

The dishwashers have two types of drainage: gravity drainage or using a drainage pump.

5.1.9.1 Drainage by gravity

To drain the machine in this way, just remove the overflow from the machine and it will drain naturally. For reasons of safety, this method of drainage should only be used with the machine switched off.

5.1.9.2 Drainage using the drainage pump (optional)

The drainage using the drainage pump option is only available on request. The drainage pipe must always be fitted on a siphon to prevent the return of odours. To drain the machine using this method, proceed as follows:

- Remove the overflow valve.
- Leave the door open.
- Press the drain button (B) for 3 seconds and the drainage cycle will start automatically.
- At the end of the cycle (approx. 160 s), replace the overflow valve. The machine may be switched off.



To drain the machine with the drainage pump, the hose must be at a height (max. 800 mm).

5.1.10 Switching off the machine

The dishwasher is switched off by pressing the ON-OFF button for 1.5 s.

The machine should not be switched off during the wash process as this will stop the tableware inside the machine from being cleaned properly.

5.1.11 Cleaning the machine at the end of the day

At the end of the day, the filters, wash distributors, rinse branches and other accessories must be cleaned. This is necessary to prolong the service life of the machine. To ensure the efficient washing of the dishes, the dishwasher must be perfectly clean and disinfected.

5.2 Useful tips

Read the useful tips listed below carefully to allow you to get the most out of your dishwasher.

5.2.1 Maintenance

Always clean the machine correctly to prolong the service life of the machine.

- Remove any waste from the machine at the end of each day.
- Do not use abrasive, corrosive or acid products, chlorine-based detergents, solvents or petrol derivatives to clean the machine.
- Do not use pressurised water to clean the machine.
- Only wash tableware, glassware or kitchenware that has been used for human food.
- Check that the wash distributors rotate correctly every day.
- Check the salt, rinse aid and detergent levels at the start of each day.
- Call the technical service twice a year to have the machine serviced:
 - o Cleaning of water filter.
 - o Cleaning of limescale on the resistors.
 - o Inspection of the condition of the seals.
 - o Inspection of the condition of the parts.
 - o Adjustment of the dispensers.
 - o Tightening of the electrical connections on the terminals.
- If the power cable is damaged, it must be replaced by the manufacturer, after-sales service or authorised technical personnel in order to prevent risks.

5.2.2 Rinse aid and detergent

If you change the rinse aid or detergent, the settings should be adjusted accordingly. This adjustment must be carried out by qualified personnel. Only use detergents suitable for industrial dishwashers. Do not use foam-producing detergents. Detergents designed for domestic use should not be used under any circumstances.



When handling chemical substances, the safety instructions must be observed. Use suitable protective clothing, gloves and safety goggles when handling chemical substances. Do not mix different detergents.

5.2.3 Hygiene regulations

- Do not touch clean dishes with dirty or greasy hands.
- Use clean sterilised cloths to thoroughly dry the dishes.
- We recommend you wait until the machine reaches the correct wash temperature as this will ensure a more thorough disinfection and wash.
- Drain the wash tub at least twice a day or every 40/50 wash cycles.

5.2.4 Optimum results

To obtain optimum dishwashing results, the manufacturer recommends you proceed as follows:

- Wash the dishes when the machine is ready.
- Always ensure the different dispensers are correctly adjusted.
- Keep the dishwasher thoroughly clean.

5.2.5 Prolonged non use

If the machine is kept out of service for a long period of time (holidays, temporary closure...), please observe the following:

- Drain the machine completely, including the boiler.
- Clean the machine thoroughly.
- Leave the door of the machine open.
- Close the water intake valve.
- Switch off the mains power supply.
- If there is a risk of frosts, ask your technical service to protect the machine against frosts.

6. FAULTS, ALARMS AND BREAKDOWNS

The steps to be followed in the event of a fault or operating error are described below. The possible causes and possible solutions are listed in the following table. In the event of doubt, or if you are unable to resolve the problem, please contact the technical service.



Do not handle electrical components, as there is a risk of death as the components are live.



NOTE: If a fault occurs and is not listed in the below table, please call the technical service. The manufacturer reserves the right to modify the technical characteristics with prior warning.

FAULT	POSSIBLE CAUSE	SOLUTION
The machine does not come on.	There is no power supply.	Check MCB/switches and isolators are switched on
	The fuses have blown	Call technician to analyse reason for failure
	On/off switch problem	Press and hold for 3 seconds the on/off switch
The machine does not fill with water.	Water entrance valve closed.	Open the water valve.
	Rinse nozzles blocked.	Clean nozzles and check branches for build-up of lime.
	Solenoid valve filter blocked.	Call the technical service to clean the filter.
	Rinse pump faulty	Call the technical service to replace the Rinse pump.
	Pressostat is broken.	Call the technical service to replace the pressure switch.
	Door is not closed properly	Close the door properly
Unsatisfactory wash.	Wash distributors obstructed.	Clean distributors thoroughly.
	Shortage of detergent.	Call the technical service to reset the dispenser.
	Dirty filters.	Clean the filters thoroughly
	Presence of foam	Unsuitable detergent. Too much detergent, reduce
		Too much rinse aid. Reduce rinse-aid intake.
	Wash temperature < 50°C	Thermostat incorrectly set / faulty call technician
	Dishes heavily soiled	Select a longer cycle.
Water too dirty	Drain the wash tub and fill with clean water.	
Dishes and kitchenware are not dry.	There is no rinse aid	Fill the rinse aid container
	Rinse aid low	Adjust rinse aid intake
	Dishes left inside dishwasher for too long.	When the dishwasher finishes, remove the basket from the machine and allow to dry naturally
	Rinse temperature < 80 °C	Thermostat incorrectly set / faulty call technician
Scratches or stains on dishes	Too much rinse aid	Call technical service to adjust rinse aid dispenser
	Water too chalky	Install / regenerate water softener
	Not rinsing properly	Check rinse pressure and all jets are clear
	Detergent setting incorrect	Check detergent quality and adjust to suit
Machine stops during operation	Electrical sockets overloaded	Contact electrician to check power supply
	Machine protection tripped	Reset safety device and if it trips again, call technician
Machine stops and fills with water when it is washing.	Overflow incorrectly mounted	Mount overflow correctly
	Pressure switch pipe blocked	Empty the tub and clean thoroughly.
	Pressure switch is faulty	Call the technical service to replace it
Machine does not start a wash cycle	Door is not closed properly	Close door properly, if reopens adjust tensioners
	Door micro switch faulty	Call technical service to replace switch
Machine does not drain completely	Machine not levelled correctly	Level the machine correctly
	Drain blocked or restricted	Check drain pipe is not blocked and is correct

6.1 Errors shown in display

Error code	Indication	Reason
E1	ON/OFF LED lights up for 0.5 s and turns off for 2 seconds, repeatedly.	Door or hood is open
E2	ON/OFF LED lights up twice for 0.5 s each time and turns off for 2 seconds, repeatedly	Incorrect water level. Stipulated fill time exceeded.
E3	ON/OFF LED lights up three times for 0.5 s each time and turns off for 2 seconds, repeatedly.	Incorrect drainage of the machine Stipulated drainage time exceeded.
E4	ON/OFF LED lights up four times for 0.5 s each time and turns off for 2 seconds, repeatedly.	Incorrect boiler temperature. Stipulated boiler heating time exceeded.
E5	ON/OFF LED lights up five times for 0.5 s each time and turns off for 2 seconds, repeatedly.	Incorrect tank temperature. Stipulated tank heating time exceeded

Disposal:



EU regulations require products to be disposed of by specialist companies who remove or recycle products, including electronic, metal and plastic components Consult your local waste collection authority regarding disposal of your appliance. Local authorities are not obliged to dispose of commercial equipment but may be able to offer advice on how to dispose of the equipment locally. All packaging materials should be disposed of in an environmentally friendly way. The cardboard may be used as

scrap paper. The protective foil and the foam cushions are CFC-free. Do not allow children to play with the packaging and destroy plastic bags safely.

Environmental protection:



Discarded electric appliances are recyclable and should not be discarded in the domestic waste! Please actively support us in conserving resources and protecting the environment by returning this appliance to the collection centres (if available).

Compliance

Parts have undergone strict product testing in order to comply with regulatory standards and specification set by international, independent, and federal authorities. Products have been approved to carry the following symbol:

