



FZ ... W

UK Instructions for use  
DE Bedienungsanleitung  
FR Mode d'emploi  
DK Brugsanvisning  
NO Bruksanvisning  
NL Gebruiksaanwijzing

ES Instrucciones para el uso  
CZ Návod k použití  
PL Instrukcja obsługi  
IT I Istruzioni per l'uso  
RUS Инструкция к применению



Thank you for purchasing your new wine cooler from Vestfrost. Please note that these instructions apply to all wine coolers in the FZ range. Illustrations and fittings may therefore not necessarily correspond exactly to your model.

**Warning**

WARNING: - keep ventilation openings, in the appliance enclosure or in the built-in structure, clear of obstruction.

WARNING: - do not use mechanical devices or other means to accelerate the defrosting process, other than those recommended by the manufacturer,

WARNING: - do not damage the refrigerant system.

WARNING: - do not use electrical appliances inside the refrigerated storage compartments, unless they are of the type recommended by the manufacturer.

The appliance shall not be exposed to rain.

\* Keep always the keys in separate place and out of reach of children.

\* Before servicing or cleaning the appliance, unplug it from the mains.

As the appliance contain a refrigerant which is flammable (Isobutane R600a) it is essential to ensure that the refrigerant pipes are not damaged.

If damage does occur, avoid sparks or naked flame in the vicinity of the appliance, ensure that the room is well ventilated, disconnect the power supply, and contact your supplier.

The unit must only be serviced by qualified technicians from an approved service centre.

This appliance is not intended for use by young children or infirm persons unless they have been adequately supervised by a responsible person to ensure that they can use the appliance safely”.

“Young children should be supervised to ensure that they do not play with the appliance”.

**Old appliances**

Old refrigerators and freezers are often fitted with complicated latches that can only be opened from the outside. If you have one of these old units stored away somewhere, or if you scrap one, remember to destroy the latch first in order to prevent children from being exposed to great danger by getting locked inside the unit.

**Contents**

Get to know your wine cooler.....3  
 Installation and start-up.....4  
 Reversible door.....7  
 Electrical connection.....8  
 Operation and function.....9  
 Defrosting,  
 cleaning and maintenance.....11  
 Fault finding.....12  
 Warranty, spare parts and service..13  
 Disposal.....14

# Get to know your wine cooler

## Before use

Before operating your new appliance, please read the following instructions carefully as they contain important information on safety, installation, operation and maintenance. Keep the instructions for future reference.

On receipt, check to ensure that the appliance has not been damaged during transport. Transport damage should be reported to the local distributor before the wine cooler is put to use.

Remove the packaging. Clean the inside of the cabinet using warm water with a mild detergent. Rinse with clean water and dry thoroughly (see cleaning instructions). Use a soft cloth.

If during transport the appliance has been laid down, or if it has been stored in cold surroundings (colder than +5°C), it must be allowed to stabilise in an upright position for at least an hour before being switched on.

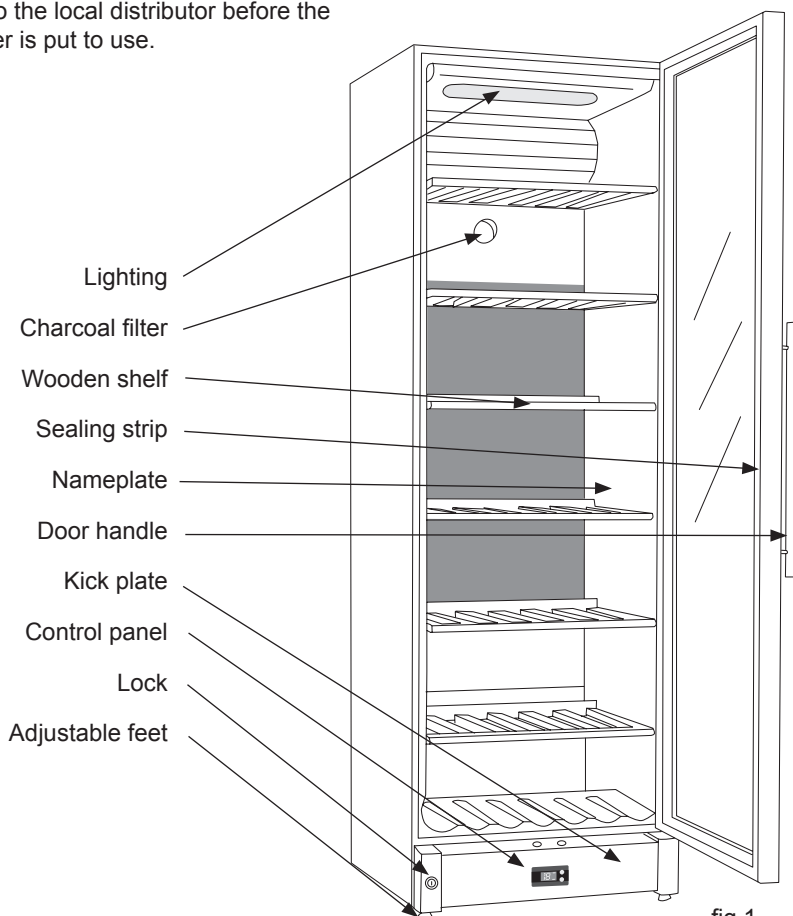


fig.1

# Installation and start-up

## Placement

For safety and operational reasons, the appliance must not be installed outdoors.

The appliance should be placed on a level surface in a dry, well ventilated room (max. 75% relative air humidity). Never place the appliance close to sources of heat such as cookers or radiators, and avoid placing it in direct sunlight.

## Room temperature

The climate class is stated on the nameplate (see fig. 1 on page 3 and fig. 11 on page 13). This specifies the optimum room temperature. Wine coolers with winter position, however, function at room temperatures as low as 5°C.

Climate class	Optimum room temperature
SN	+10 °C to +32 °C
N	+16 °C to +32 °C
ST	+18 °C to +38 °C
T	+18 °C to +43 °C

## Installation

The surface on which the appliance is to be placed must be level. Do not use a frame or similar.

The appliance can be installed as a free-standing unit against a wall, built into a kitchen element, or lined up with other appliances (figs 2-3).

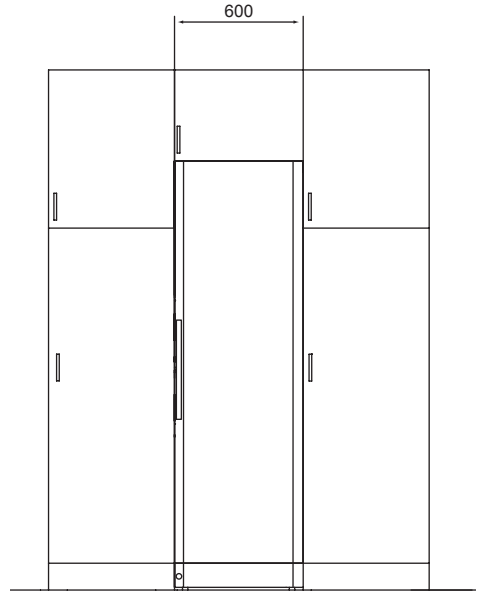


fig. 2

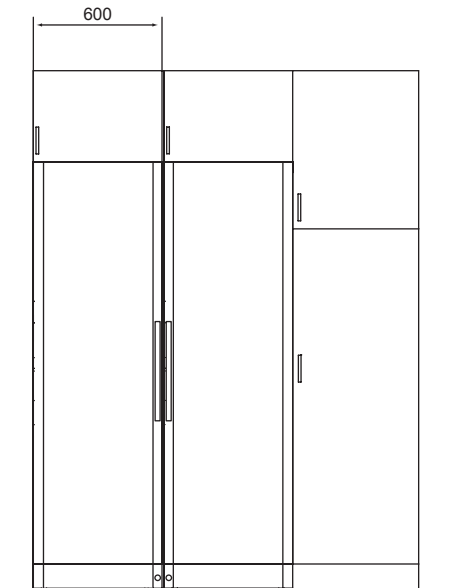


fig. 3

## The appliance viewed from above

If the appliance is placed beside a wall, there must be sufficient room for its door to be opened wide enough to allow the shelves to be pulled out (fig. 4).

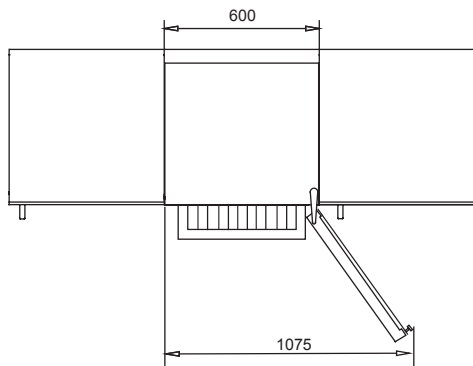


fig. 4

## Ventilation

It is important that the appliance be well ventilated and that air can circulate unhindered above, below and around it. The figures below illustrate how the necessary air circulation around the appliance can be ensured (figs 5-6).

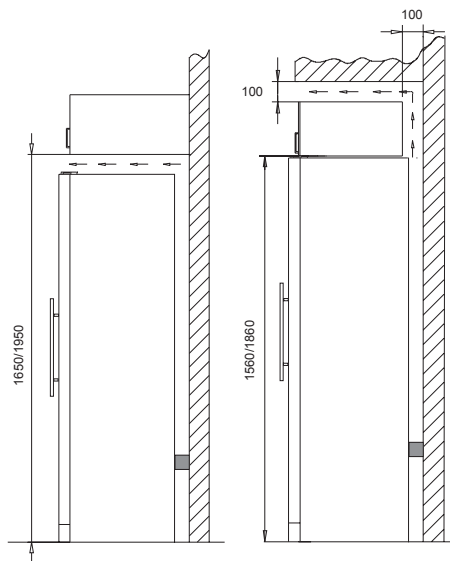
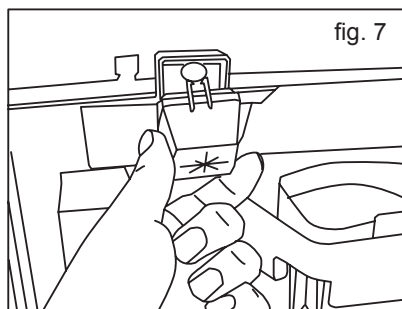


fig. 5

fig. 6

The distance pieces on the rear of the appliance ensure sufficient air circulation. Fit the two caps supplied with the appliance as shown in fig. 7.



# Setting up

It is important that the appliance be absolutely level. It can be levelled by screwing the adjustable feet at the front of the appliance up or down (figs 8-9). Use a spirit level to check that the appliance is absolutely level sideways.

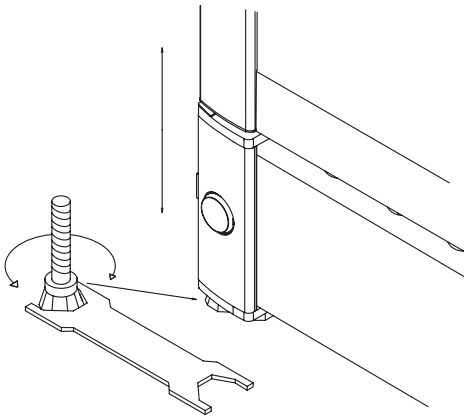
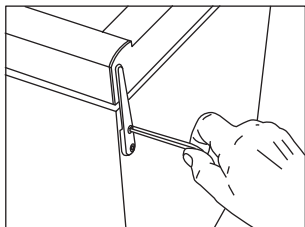


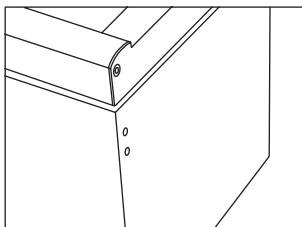
fig. 8

# Reversible door

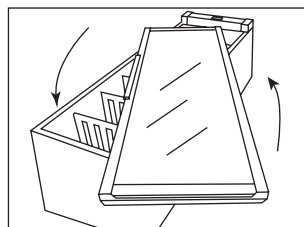
The door can be changed from right-hinged to left-hinged and vice versa as follows:



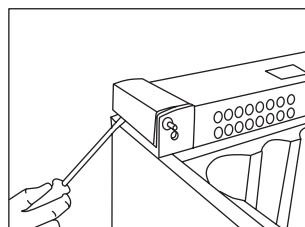
1. Lay the appliance on its back and loosen the upper hinge.



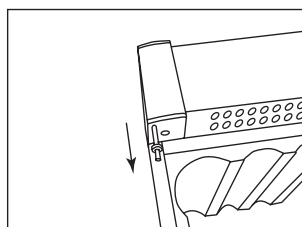
2. Remove the upper hinge.



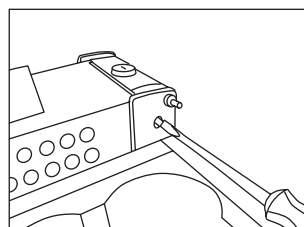
3. Rotate the glass door through 180° (on FZ 295 W, pull the handle to loosen it on the inside from beneath the sealing strip).



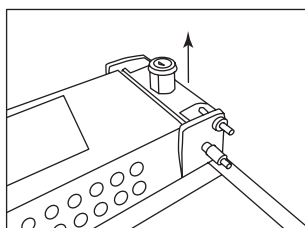
4. Carefully remove the covers on the side of the plinth using a flat-headed screwdriver.



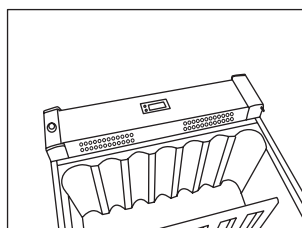
5. Pull up the hinge pin...  
...and fit it on the opposite side.



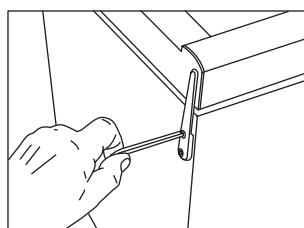
6. Unscrew the lock pin using a flat-headed screwdriver.



7. When the lock pin has been loosened completely, pull it up together with the lock cylinder and refit on opposite side.



8. Click the covers into place on the plinth sides on the opposite side.



9. Fit the door onto the bottom pin, fit the top hinge and tighten securely.

10. After reversing the door, it is important to check that the sealing strip provides a tight seal all the way round. If it does not, carefully heat the strip all the way round using a hair dryer. Then ease the strip outwards slightly so that it forms a tight seal against the cabinet. Be careful not to heat the strip so much that it melts!



## Electrical connection

The appliance is intended for connection to alternating current. The required voltage (V) and frequency (Hz) are stated on the nameplate inside the appliance. Power must be connected via an independent wall socket outlet.

**If the supply cord is damaged, it must be replaced by the manufacturer, its service agent or a similar qualified person in order to avoid a hazard.**

### Technical data

This appliance complies with CE marking regulations, directives and standards.

Low Voltage Directive 73/23/EEC.

EMC Directive 89/336/EEC.



# Operation and function

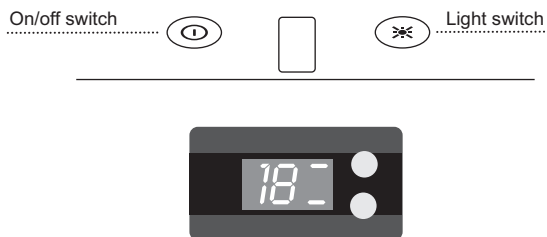


fig. 9

## Electronic controls

The electronic controls ensure that the set temperatures are maintained at the top and bottom of the cabinet. This is accomplished by complex control of the refrigerating system the heating element and the fan. Following any power failure, the temperature settings are automatically recalled.

The electronic controls have the following functions:

- Temperature setting
- Temperature display
- Automatic defrosting
- Fault-finding, emergency and service programs
- Low-temperature alarm

① On/off switch

⌘ The light switch is used to select either continuous illumination or illumination only when the door is opened.

## Temperature display

The display shows the actual temperature at the top or bottom of the cabinet. To switch the display between the top and bottom sections, short-press the top and bottom buttons respectively, which section

is shown is indicated by a line of light in the display just beside the buttons. The temperature display has a built-in filter that simulates the actual temperature in the bottles. The displayed temperature is therefore not affected by transient fluctuations in air temperature.

## Temperature setting

The temperature is set using the two buttons on the control panel. The upper button is used to set the temperature at the top of the cabinet. The lower button is used to set the temperature at the bottom. Deactivate the childproof lock by pressing the button for 3 seconds. The display then starts flashing and shows the current temperature setting for the zone concerned. This applies to both buttons/sections. When the display starts flashing, the temperature can be set by scrolling the setting between 22 and 5°C. When the desired setting is displayed, release the button for 3 seconds. The setting will then be stored and the childproof lock reactivated.

Note that the bottom section cannot be given a higher temperature setting than the top section. The highest available temperature setting for the bottom section is therefore identical to the actual setting for the top section.

## Low-temperature alarm

If the temperature has been below 2°C for more than 1 hour, the display flashes and Lo/actual temperature are alternately shown. Wine cannot mature properly at sub-zero temperatures.

Two-zone setting for serving temperature  
Typical serving temperature settings for the top and bottom sections are 16°C and 6°C respectively. With these settings, a suitable temperature gradient will be achieved in the cabinet for the storage of various types of wine distributed from top to bottom as follows:

- heavy red wines +16 to +19°C
- rosé and light red wines +12 to +16°C
- white wines +10 to +12°C
- champagne and sparkling wines +6 to +8°C

It is recommended that wine be served at a temperature which is a couple of degrees lower than the desired drinking temperature as the wine will be warmed slightly when it is poured into the glass.

Single-zone setting for long-term storage  
For long-term wine storage, the top and bottom sections should both be set at 12°C. With identical settings for the top and bottom sections, the controls will maintain an even temperature throughout the cabinet. However, the temperature in the room will gradually affect the temperature in the cabinet through its door and sides, creating a slight temperature gradient from top to bottom. The controls will maintain the set temperature at the bottom of the cabinet, and any deviation from the setting will therefore occur at the top.  
The difference will vary from 0 to 3°C, depending on the ambient temperature.

## Defrosting, cleaning and maintenance

### Automatic defrosting

The wine cooler is defrosted automatically. Defrost water runs through a pipe and is collected in a tray above the compressor where the heat generated by the compressor causes it to evaporate. The defrost water tray should be cleaned at intervals.

### Cleaning

Before cleaning the appliance, unplug it from the main supply. The cabinet is best cleaned using warm water (max. 65°C) with a little mild detergent. Never use cleaning agents that scour. Use a soft cloth. Rinse with clean water and dry thoroughly. The defrost water channel, in which condensation from the evaporator runs, is located at the bottom of the rear inside wall of the cabinet and must be kept clean. Add a few drops of disinfectant, e.g. Rodalon, to the defrost water drain a couple of times a year, and clean the drain using a pipe cleaner or similar. Never use sharp or pointed implements. The sealing strip around the door must be cleaned regularly to prevent discoloration and prolong service life. Use clean water. After cleaning the sealing strip, check that it continues to provide a tight seal. Dust collecting on the condenser on the rear of the cabinet, the compressor and in the compressor compartment is best removed using a vacuum cleaner.

### Replacing the light tube

Before replacing the light tube, unplug the appliance from the main supply. Remove the lamp cover using a small flat-headed screwdriver. Replace the PLC tube (11 W). Refit the lamp cover, reconnect the power supply and start the appliance by pressing the on/off switch.



fig. 10

## Fault finding

<b>Fault</b>	<b>Possible cause</b>	<b>Remedy</b>
The appliance is "dead"!	The appliance is switched off.  Power failure; the fuse is blown; the appliance is not plugged in correctly.	Press the on/off switch.  Check that power is connected. Reset the fuse.
Water collects in the bottom of the cabinet.	The defrost water pipe is blocked.	Clean the defrost water channel and the drain hole on the rear wall of the cabinet.
Vibration or bothersome noise.	The appliance is not level. The appliance is resting against other kitchen elements.  Containers or bottles inside the cabinet are rattling against one another.	Level the appliance using a spirit level.  Move the appliance away from the kitchen elements or appliances it is in contact with. Move containers and/or bottles apart.
Compressor runs continuously.	High room temperature.	Ensure adequate ventilation.
E1 is shown on the display.	The upper sensor is disconnected or short-circuited.	Call for service. The temperature within the entire cabinet is maintained at the higher of the two setpoints until the fault has been corrected.
E2 is shown on the display.	The lower sensor is disconnected or short-circuited.	Call for service. The temperature within the entire cabinet is maintained at the higher of the two setpoints until the fault has been corrected.
ULO is shown on the display.	The mains voltage is lower than 184 V.	
UHI is shown on the display.	The mains voltage is higher than 255 V.	

# Warranty, spare parts and service

## Warranty disclaimer

Faults and damage caused directly or indirectly by incorrect operation, misuse, insufficient maintenance, incorrect building-in, installation or mains connection, fire, accident, lightening, voltage variation or other electrical interference, including defective fuses or faults in mains installations, or repairs performed by others than service centres approved by Vestfrost, and any other faults and damage that the manufacturer can substantiate are caused by reasons other than manufacturing or material faults are not covered by the warranty.

Transport damage discovered by the buyer is primarily a matter to be settled between the buyer and the distributor, i.e. the distributor must ensure that such complaints are resolved to the buyer's satisfaction.

Before calling for technical assistance, please check whether you are able to rectify the fault yourself (see Fault finding). If your request for assistance is unwarranted, e.g. if the appliance has failed as a result of a blown fuse or incorrect operation, you will be charged the costs incurred by your call for technical assistance.

## Spare parts

When ordering spare parts, please state the type, serial and product numbers of your appliance (see fig. 1 on page 3 and fig. 11). This information is given on the nameplate inside the cabinet. The nameplate contains various technical information, including type and serial numbers.

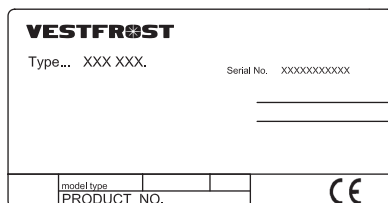


fig. 11

Note: Always use approved service centres when your appliance is to be repaired or replaced!

## Service

Vestfrost has local service centres all over the country who specialise in Vestfrost products. Here you can obtain fixed prices and professional help for all repairs. Find your local service centre on [www.vestfrost.dk](http://www.vestfrost.dk).




## Disposal

Environmental regulations on disposal must also be observed. When disposing of the appliance you should contact your local authority technical department who will inform you of how collection and recycling of such units take place in your area.

This appliance is marked according to the European directive 2002/96/EC on Waste Electrical and Electronic Equipment (WEEE).

By ensuring this product is disposed of correctly, you will help prevent potential negative consequences for the environment and human health, which could otherwise be caused by inappropriate waste handling of this product.



The symbol  on the product, or on the documents accompanying the product, indicates that this appliance may not be treated as household waste. Instead it shall be handed over to the applicable collection point for the recycling of electrical and electronic equipment.

Disposal must be carried out in accordance with local environmental regulations for waste disposal.

For more detailed information about treatment, recovery and recycling of this product, please contact your local city office, your household waste disposal service or the shop where you purchased the product.

Vielen Dank für Ihre Wahl eines Weinkühlschranks von Vestfrost. Beachten Sie bitte, dass die Bedienungsanleitung für alle Weinkühlschränke der FZ-Serie gilt. Darum entsprechen Abbildungen und Ausstattung nicht in jedem Fall genau Ihrem Gerät.

## Warnung

Da ein brennbares Gas (Isobutan R600a) als Kältemittel dient, ist besondere Vorsicht bei Transport und Installation geboten, damit kein Teil des Kühlkreislaufs beschädigt wird.

Sollte dies dennoch geschehen, vermeiden Sie Funken und offenes Feuer! Lüften Sie den Raum gründlich, schalten Sie danach die Stromzufuhr zum Gerät aus, und wenden Sie sich an Ihren Lieferanten.

Wartungs- und Reparaturarbeiten dürfen nur von einem qualifizierten Servicecenter durchgeführt werden.

## Alte Geräte

Alte Kühl- und Gefriergeräte sind häufig mit komplizierten Schnappschlössern versehen, die von innen nicht geöffnet werden können. Falls bei Ihnen ein solches Gerät steht, oder wenn Sie ein solches Gerät austragieren, machen Sie bitte zuerst das Schloss unbrauchbar. So verhindern Sie, dass spielende Kinder eingesperrt werden und in Lebensgefahr kommen können.

## Vor dem Gebrauch

Vor dem Gebrauch Ihres neuen Geräts sollten Sie diese Bedienungsanleitung gründlich lesen. Sie enthält wichtige Informationen zu Sicherheit, Installation, Betrieb und Wartung. Bewahren Sie die Bedienungsanleitung auf. Sie könnten sie zu einem späteren Zeitpunkt evtl. benötigen.

Kontrollieren Sie das Gerät sofort bei

Lieferung auf eventuelle Beschädigungen. Transportschäden sind dem Händler zu melden, bevor das Gerät in Gebrauch genommen wird.

Verpackung entfernen. Das Schrankinnere mit lauwarmem Wasser und etwas mildem Spülmittel reinigen. Mit klarem Wasser nachwischen und gründlich trocknen (siehe "Reinigung"). Verwenden Sie ein weiches Tuch.

Falls das Gerät liegend transportiert wurde oder einer Temperatur von weniger als +5 °C ausgesetzt war, muss es vor dem Einschalten mindestens eine Stunde lang bei höherer Außentemperatur aufrecht stehen.

## Inhalt

Lernen Sie Ihren	
Kühlschrank kennen.....	3
Inbetriebnahme und Installation.....	4
Wendbare Tür.....	7
Elektrischer Anschluss.....	8
Bedienung und Funktion.....	9
Abtauen, Reinigung und Wartung...	11
Fehlersuche.....	12
Reklamation,	
Ersatzteile und Service.....	13
Entsorgung.....	14

# Lernen Sie Ihren Kühlschrank kennen

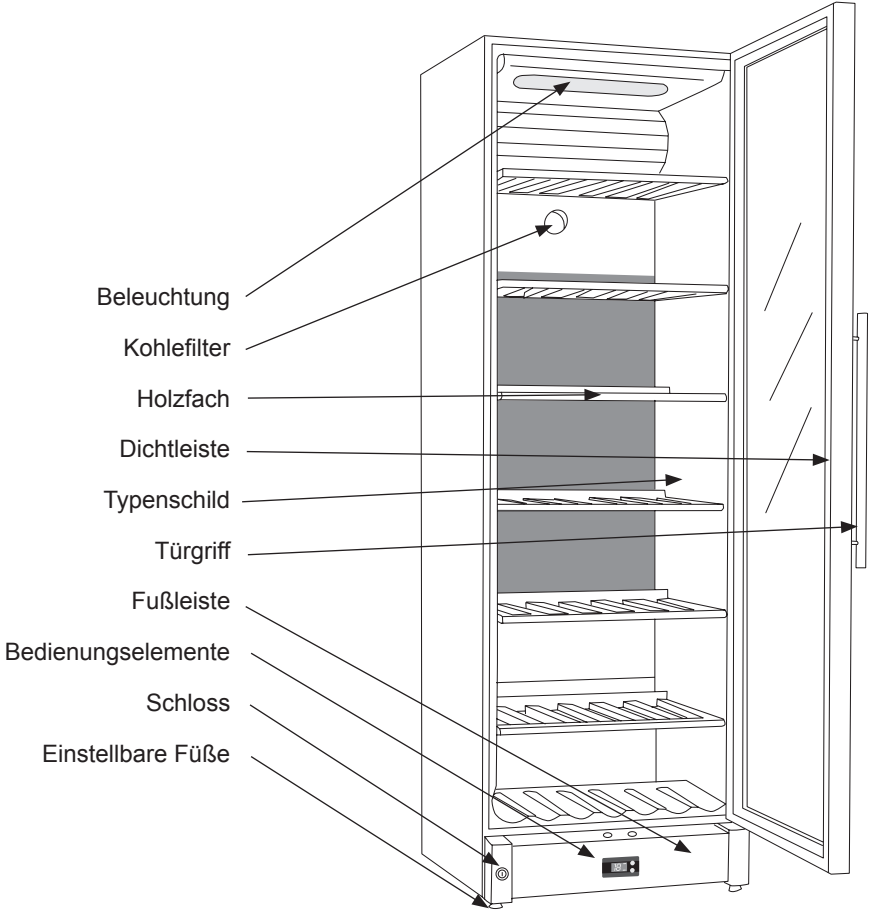


Abb.1



# Inbetriebnahme und Installation

## Aufstellort

Aus Sicherheits- und betriebstechnischen Gründen darf das Gerät nicht im Freien aufgestellt werden.

Stellen Sie den Schrank auf einen ebenen Untergrund in einem trockenen, gut belüfteten Raum (max. 75 % relative Luftfeuchtigkeit). Stellen Sie den Schrank nicht in unmittelbarer Nähe von Wärmequellen wie Herden oder Heizkörpern auf, und vermeiden Sie direkte Sonneneinstrahlung oder Wärme von anderen Wärmequellen .

## Raumtemperatur

Die Klimaklasse finden Sie auf dem Typenschild (siehe Abb. 1 Seite 3 und Abb. 11 Seite 13). Sie gibt an, innerhalb welcher Raumtemperaturbereiche der Kühlschrank optimal arbeitet. Weinschränke mit Winterposition fungieren bis zu einer Raumtemperatur von 5 °C.

Klimaklasse	Zulässige Raumtemperatur
SN	+10 °C bis +32 °C
N	+16 °C bis +32 °C
ST	+18 °C bis +38 °C
T	+18 °C bis +43 °C

## Installation

Die Unterlage zum Aufstellen des Schrankes muss eben sein. Verwenden Sie keinen Rahmen o.ä.

Der Schrank kann frei an einer Wand stehen, in ein Küchenelement eingebaut werden oder neben anderen Schränken aufgestellt werden (Abb. 2-3).

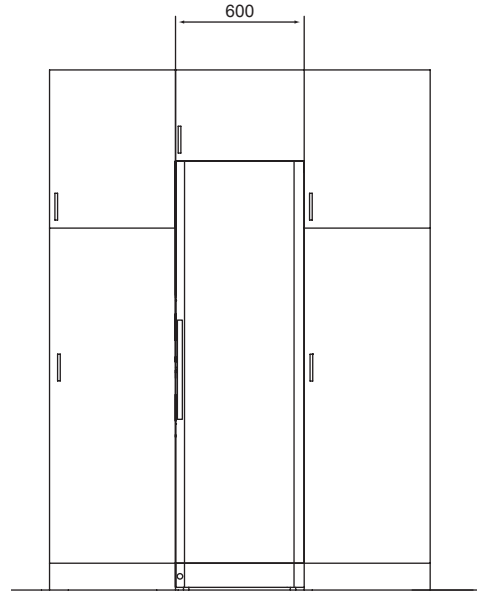


Abb. 2

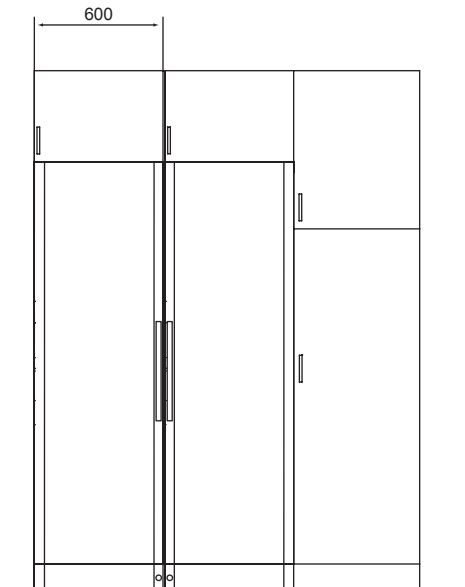


Abb. 3

## Schrank in Draufsicht

Wird der Schrank an einer Wand aufgestellt, ist darauf zu achten, soviel Platz zu lassen, dass die Tür zum Herausziehen der Kühlschubladen weit genug geöffnet werden kann (Abb. 4).

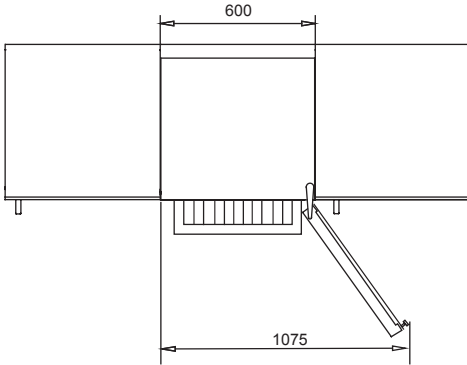


Abb. 4

## Belüftung

Der Schrank muss ausreichend belüftet sein, und die Luftzirkulation über und unter ihm sowie seitlich vom Schrank darf nicht behindert sein.

Die folgenden Abbildungen zeigen, wie die erforderliche Belüftung in der direkten Umgebung des Schrankes sicherzustellen ist (Abb. 5-6).

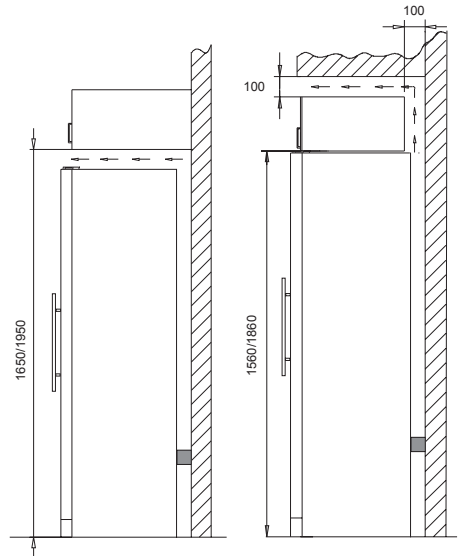
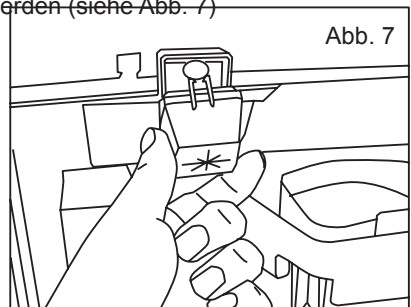


Abb. 5

Abb. 6

Die Abstandsstücke auf der Rückseite des Schrankes sichern die erforderliche Luftzirkulation. Die beiden Abdeckungen montieren, die zusammen mit dem Schrank mitgeliefert werden (siehe Abb. 7)



# Aufstellung

Der Schrank muss waagrecht stehen.  
Der Schrank kann durch Drehen der  
einstellbaren FüÙe ausgerichtet werden  
(siehe Abb. 8).

Prüfen Sie mit einer Wasserwaage nach, ob  
der Schrank waagrecht steht.

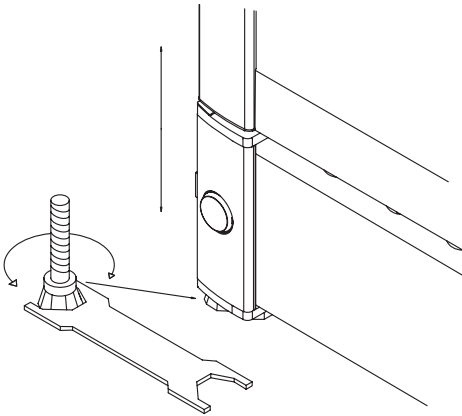
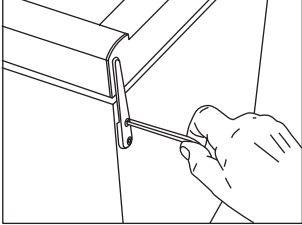


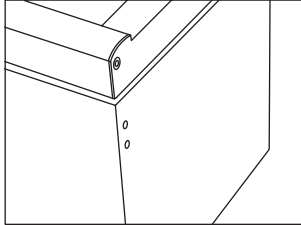
Abb. 8

# Wendbare Tür

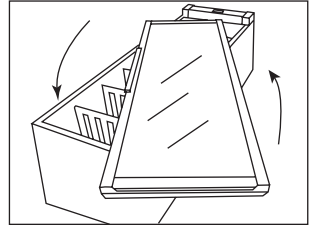
Die Tür kann folgendermaßen von rechts angeschlagen auf links angeschlagen und umgekehrt umgebaut werden:



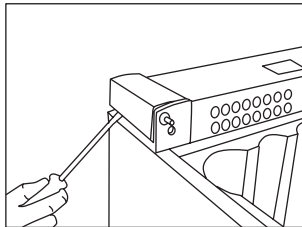
1. Den Schrank auf den Boden legen, und das obere Scharnier lösen.



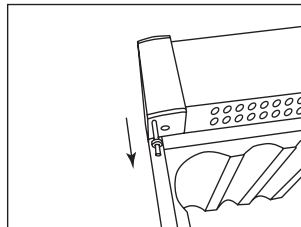
2. Oberes Scharnier abbauen.



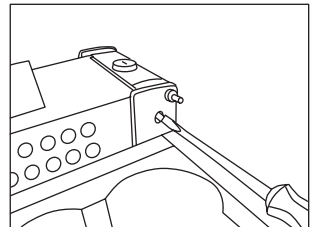
3. Die Glastüre umdrehen (beim FZ 295 W den Handgriff abnehmen, der innen unter der Dichtleiste zu lösen ist).



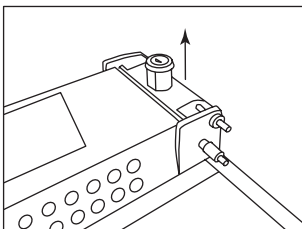
4. Die Abdeckungen in den Sockelseiten vorsichtig mit einem flachen Schraubendreher demontieren.



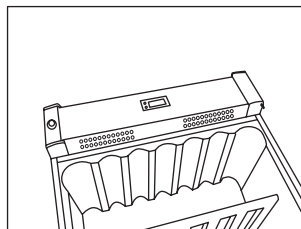
5. Den Scharnierstift herausziehen...  
... und auf der entgegengesetzten Seite montieren.



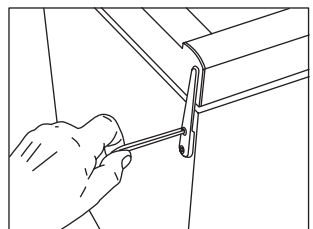
6. Den Schlossriegel mit einem flachen Schraubendreher losschrauben.



7. Nach Lösen des Schlossriegels diesen gemeinsam mit dem Schlosszylinder herausziehen und auf der entgegengesetzten Seite wieder montieren.



8. Die Abdeckungen in den Sockelseiten auf der entgegengesetzten Seite einrasten.



9. Die Tür auf den Scharnierstift montieren, und das obere Scharnier montieren und festschrauben.

10. Nach dem Wechsel der Türanschlagseite ist zu prüfen, ob die Dichtleiste rundum dicht schließt. Tut sie das nicht, können Sie die Leiste vorsichtig mit einem Haarfön auf ihrer ganzen Länge erwärmen. Ziehen Sie die Leiste dann leicht aus der Tür heraus, sodass sie nach dem Schließen der Tür wieder dicht am Schrank anliegt. **VORSICHT!** Die Dichtleiste darf nicht zu stark erwärmt werden, da sie sonst schmelzen kann!

# Elektrischer Anschluss

Der Kühlschrank ist zum Anschluss an das Wechselstromnetz bestimmt. Die Werte für Spannung (V) und Frequenz (Hz) sind auf dem Typenschild im Schrank angegeben. Das Gerät ist allein an eine eigene Steckdose anzuschließen.

**Bei Beschädigung des Netzkabels ist es durch ein gleichwertiges Teil zu ersetzen, das vom Hersteller oder dessen Vertreter geliefert wird.**

## Technische Daten

Dieses Gerät entspricht den Regelungen zur CE-Kennzeichnung sowie den einschlägigen Richtlinien und Normen.  
Niederspannungsrichtlinie 73/23/EEC.  
EMV Richtlinie 89/336/EEC.

# Bedienung und Funktion

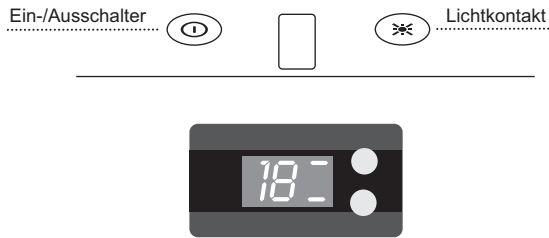


Abb. 9

## Elektronische Steuerung

Die elektronische Steuerung sorgt dafür, dass der Schrank sowohl am Boden als auch ganz oben die eingestellte Temperatur einhält. Dies wird durch eine ausgeklügelte Steuerung von Kälteanlage, Heizelement und Lüfter erreicht.

Bei einem eventuellen Netzausfall verbleibt die eingestellte Temperatur gespeichert. Die elektronische Steuerung hat folgende Funktionen:

- Temperatureinstellung
- Temperaturanzeige
- Automatisches Abtauen
- Fehlersuche, Not- und Serviceprogramme
- Alarm bei niedriger Temperatur

① Ein-/Ausschalter

✳ Mit dem Lichtkontakt ändert das Licht seine Funktion anstatt nur bei geöffneter Tür dauernd eingeschaltet zu sein.

## Temperatur-Anzeige

Am Display wird die aktuelle Temperatur im Oberteil oder am Boden des Schrankes angezeigt. Durch kurzes Betätigen der oberen bzw. unteren Taste kann zwischen der Anzeige der obersten und untersten Zone gewechselt werden.

Die Temperaturanzeige ist mit einem eingebauten Filter ausgestattet, das die aktuelle Flaschentemperatur simuliert, weshalb die Anzeige nicht auf kurzzeitige Änderungen der Lufttemperatur reagiert.

## Temperatureinstellung

Die Schranktemperaturen werden mit den beiden Tasten auf der elektronischen Steuerung eingestellt. Mit der oberen Taste die Temperatur im Oberteil. Mit der unteren Taste die am Boden. Die Kindersicherung lässt sich durch ein 3 Sekunden langes Betätigen der Taste ausschalten, das Display beginnt zu blinken und zeigt den aktuellen Sollwert für die gewählte Zone an. Gleiches gilt für beide Tasten/Zonen. Anschließend beginnt das Display zu blinken, wobei jetzt auf Werte zwischen 22 und 5 Grad gerollt werden kann. Wird der gewünschte Wert angezeigt, die Steuerung 3 Sekunden lang nicht betätigen; der Wert wird jetzt gespeichert, und die Kindersicherung ist erneut aktiv.

Bitte beachten, dass die untere Zone nicht wärmer als die obere Zone eingestellt werden kann. Deshalb ist der wärmste zugängliche Wert für die untere Zone immer identisch mit der aktuellen Einstellung der oberen Zone.

## Alarm bei niedriger Temperatur

Fällt die Temperatur mehr als eine Stunde lang unter 2 °C, wird Lo/aktuelle Temperatur wechselweise, blinkend angezeigt. Frost vernichtet die Fähigkeit des Weines zu reifen.

abhängig von der Umgebungstemperatur.

## Mehrzoneneinstellung für Serviertemperatur

Typisch für diese Anwendung ist eine Ober-/Boden-Einstellung von 16/6 °C. Mit dieser Einstellung verteilen sich die Temperaturen durch den Schrank zur Aufbewahrung verschiedener Weintypen gemäß folgender von oben nach unten gehender Reihenfolge:

- schwere Rotweine +16 bis +19 °C
- Rosé und leichte Rotweine +12 bis +16 °C
- Weißwein +10 bis +12 °C
- Champagner und Schaumweine +6 bis +8 °C

Es empfiehlt sich, die Weine ein paar Grade kälter als die gewünschte Trinktemperatur zu servieren, da sich der Wein beim Einschicken ins Glas rasch etwas erwärmt.

**Einzoneneinstellung für Langzeitlagerung**  
Zur Langzeitlagerung von Weinen empfiehlt sich eine Ober-/Boden-Einstellung von 12/12 °C.

Mit der gleichen Einstellung im Ober- und Boden sorgt das Kühlsystem für eine gleichmäßige Temperatur im ganzen Schrank. Jedoch drängt die Umgebungstemperatur langsam durch die Tür und Seiten des Schrankes ein und verursacht einen kleinen Temperaturunterschied zwischen Ober- und Boden. Der Schrank wird am Boden nach der eingestellten Temperatur gesteuert, weshalb Abweichungen im Ober- teil auftreten.

Der Unterschied liegt zwischen 0–3 °C,

# Abtauen, Reinigung und Wartung

## Automatisches Abtauen des Kühlschranks

Der Kühlschrank wird automatisch abgetaut, das Tauwasser läuft durch ein Rohr in die Tauwasserschale, die sich auf dem Kompressor befindet. Das Wasser verdampft durch die Betriebswärme des Kompressors. Die Tauwasserschale ist gelegentlich zu reinigen.

## Reinigung

Zum Reinigen des Schrankinnern den Schrank am Ein-/Ausschalter ausschalten. Eine Mischung aus warmem Wasser und Spülmittel (max. 65 °C) ist dazu am besten geeignet). Verwenden Sie keine Reinigungsmittel, die Kratzer verursachen können. Verwenden Sie ein weiches Tuch. Mit klarem Wasser nachwischen und gut abtrocknen. Die Tauwasserrinne, durch die das Kondenswasser vom Verdampfer herab läuft, befindet sich innen an der Schrankrückwand. Sie ist stets sauber zu halten. Tropfen Sie mehrmals jährlich ein Desinfektionsmittel in den Tauwasserabfluss. Mit einem Pfeifenreiniger o.ä. reinigen. Niemals scharfkantige oder spitze Gegenstände verwenden. Die Türdichtleiste muss regelmäßig gereinigt werden, um Verfärbungen zu vermeiden und lange Haltbarkeit zu gewährleisten. Klares Wasser verwenden. Nach der Reinigung der Türdichtleiste prüfen, ob sie dicht schließt. Vom Rückwandverflüssiger, Kompressor und Kompressorraum den Staub am besten mit einem Staubsauger entfernen.

## Austausch der Leuchtstoffröhre

Den Kühlschrank durch Betätigen der Start/Stopp-Taste abschalten. Den Lampen-

schirm mit einem kleinen Schraubendreher entfernen. Die Leuchtröhre (11 W) austauschen.

Den Lampenschirm montieren, und den Schrank mit der Start/Stopp-Taste wieder einschalten.



Abb. 10



# Fehlersuche

<b>Fehler</b>	<b>Mögliche Ursache</b>	<b>Abhilfe</b>
Der Schrank reagiert nicht.	Der Schrank ist abgeschaltet Stromausfall; Sicherung hat angesprochen; Netzstecker nicht richtig eingesteckt.	Ein-/Ausschalter betätigen. Prüfen, ob der Strom angeschlossen ist. Die Sicherung muss intakt/eingeschaltet sein.
Es läuft Wasser auf den Boden des Kühlschranks.	Das Tauwasserabflussrohr ist verstopft.	Tauwasserrinne und Abflussloch in der Rückwand reinigen.
Vibrationen oder störende Geräusche.	Der Schrank steht schief. Der Schrank berührt andere Küchenelemente. Behälter oder Flaschen im Schrank berühren sich.	Schrank mit einer Wasserwaage ausrichten. Schrank von den Küchenelementen oder Geräten abrücken, die er berührt. Für Abstände zwischen Flaschen und/oder Behältern sorgen.
Der Kompressor läuft ständig.	Hohe Raumtemperatur.	Für gute Belüftung sorgen.
Steuerung zeigt E1 an	Oberer Fühler ist unterbrochen oder kurzgeschlossen	Rufen Sie den Kundendienst. Der gesamte Schrank wird gemäß dem wärmsten Sollwert gesteuert, bis die Störung behoben ist.
Steuerung zeigt E2 an	Unterer Fühler ist unterbrochen oder kurzgeschlossen.	Rufen Sie den Kundendienst. Der gesamte Schrank wird gemäß dem wärmsten Sollwert gesteuert, bis die Störung behoben ist.
Steuerung zeigt ULO an	Netzspannung ist niedriger als 184 V	
Steuerung zeigt UHI an	Netzspannung ist höher als 255 V	

# Reklamation, Ersatzteile und Service

## Vestfrost haftet nicht für

Fehler oder Schäden, die direkt oder indirekt durch Fehlbedienung, Missbrauch, mangelhafte Wartung, fehlerhaften Einbau, fehlerhafte Aufstellung oder fehlerhaften Anschluss sowie Feuer, Unfall, Blitzschlag, Spannungsänderungen oder andere elektrische Störungen – wie z.B. defekte Sicherungen oder Fehler in der Netzinstallation – sowie von anderen als den von Vestfrost vorgeschriebenen Reparaturbetrieben ausgeführten Reparaturen verursacht wurden, und allgemein nicht für Fehler und Schäden, die der Lieferant nachweislich auf andere Ursachen als Fabrikations- und Materialfehler zurückführen kann; diese Fehler oder Schäden fallen nicht unter das Reklamationsrecht.

Transportschäden, die der Anwender feststellt, sind primär eine Sache zwischen ihm und dem Händler, d.h. der Händler hat den Anwender zufrieden zu stellen.

Bevor Sie den Kundendienst rufen, prüfen Sie bitte, ob Sie den Fehler selbst beheben können (siehe Fehlersuche). Ist Ihr Hilfeverlangen unberechtigt, beispielsweise weil das Versagen des Geräts auf eine defekte Sicherung oder Fehlbedienung zurück zu führen ist, gehen die Kosten für den Servicebesuch zu Ihren Lasten.

## Ersatzteile

Bitte bei der Ersatzteilbestellung Typ- und Seriennummer sowie Produktionsnummer angeben (siehe Abb. 1, Seite 3, und Abb. 11).

Diese Angaben finden Sie auf dem Typenschild im Schrank. Das Typenschild enthält verschiedene technische Angaben, u.a. auch Typ- und Seriennummer.

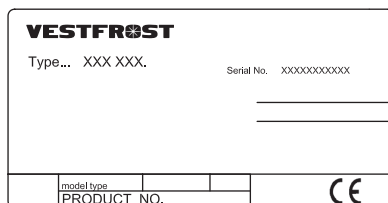


Abb. 11

Denken Sie daran! Stets nur autorisierte Handwerker beauftragen, wenn ein Teil repariert oder ausgewechselt werden muss!

## Service

Vestfrost betreibt lokale Servicecenter im ganzen Land, die auf Vestfrost-Geräte spezialisiert sind. Hier bekommen Sie professionelle Hilfe zu festen Preisen bei allen Reparaturen. Ihr nächstgelegenes Servicecenter finden Sie auf [www.vestfrost.dk](http://www.vestfrost.dk).

# Entsorgung

Beachten Sie in jedem Fall die jeweils geltenden Umweltschutzbestimmungen. Bei Ihrem zuständigen Stadtreinigungsamt können Sie erfahren, wie Abtransport und Wiederverwertung dieser Geräte in Ihrer Gemeinde gehandhabt werden.


Verwertung und Wiederverwendung dieses Produkts zu erhalten.

In Übereinstimmung mit den Anforderungen der Europäischen Richtlinie 2002/96/EG über Elektro- und Elektronik-Altgeräte (WEEE) ist vorliegendes Gerät mit einer Markierung versehen.

Sie leisten einen positiven Beitrag für den Schutz der Umwelt und die Gesundheit des Menschen, wenn Sie dieses Gerät einer gesonderten Abfallsammlung zuführen. Im unsortierten Siedlungsmüll könnte ein solches Gerät durch unsachgemäße Entsorgung negative Konsequenzen nach sich ziehen.

Auf dem Produkt oder der beiliegenden Produktdokumentation ist



folgendes Symbol  einer durchgestrichenen Abfalltonne abgebildet. Es weist darauf hin, dass eine Entsorgung im normalen Haushaltsabfall nicht zulässig ist. Entsorgen Sie dieses Produkt im Recyclinghof mit einer getrennten Sammlung für Elektro- und Elektronikgeräte.

Die Entsorgung muss gemäß den örtlichen Bestimmungen zur Abfallbeseitigung erfolgen.

Bitte wenden Sie sich an die zuständigen Behörden Ihrer Gemeindeverwaltung, an den lokalen Recyclinghof für Haushaltsmüll oder an den Händler, bei dem Sie dieses Gerät erworben haben, um weitere Informationen über Behandlung,

Vous avez fait l'acquisition d'un nouvel appareil Vestfrost et nous vous en félicitons. Veuillez remarquer que ce mode d'emploi est valable pour l'ensemble des modèles de la série FZ. Les illustrations présentées ne correspondent donc pas nécessairement parfaitement avec les caractéristiques de votre modèle.

## Mise en garde

Le réfrigérateur utilisé dans cet appareil étant un gaz inflammable (isobutane R600a), prendre garde à ne pas détériorer les tubes du circuit frigorifique lors du transport et de l'installation.

En cas de fuite accidentelle de réfrigérant, éviter toute étincelle et toute flamme nue, aérer largement le local, couper l'alimentation électrique et prendre contact avec votre fournisseur.

L'appareil doit uniquement être entretenu par des techniciens qualifiés appartenant à un centre de service après-vente agréé.

## Votre ancien appareil

Les anciens réfrigérateurs et congélateurs sont souvent équipés de mécanismes de fermeture compliqués qui peuvent uniquement être ouverts de l'extérieur. Avant de stocker votre ancien appareil ou de vous en débarrasser, toujours penser à détruire ce mécanisme, afin d'éviter que les enfants en jouant puissent rester enfermés à l'intérieur de l'appareil au péril de leur vie.

## Avant la mise en service

Avant de mettre en service votre nouvel appareil, veuillez lire attentivement les instructions suivantes : elles renferment des informations importantes concernant la sécurité, l'installation, le fonctionnement et l'entretien. Conserver ce mode d'emploi en lieu sûr : vous pourrez en avoir besoin ultérieurement.

À réception, contrôler que l'appareil n'est

pas endommagé. Les dommages dus au transport doivent être notifiés à votre fournisseur avant toute utilisation de votre réfrigérateur.

Enlever l'emballage. Nettoyer l'intérieur de l'appareil à l'eau tiède additionnée de produit à vaisselle non-agressif. Rincer à l'eau claire et essuyer à fond (voir chapitre nettoyage). Utiliser un chiffon doux.

Si pendant le transport, l'appareil a été couché ou s'il a été stocké dans un environnement froid (température inférieure à +5 °C), il doit être placé en position verticale et rester ainsi au moins une heure avant d'être mis en service.

## Sommaire

Pour apprendre à connaître votre réfrigérateur.....	3
Mise en service et installation.....	4
Porte réversible.....	7
Raccordement électrique.....	8
Utilisation et fonctionnement.....	9
Dégivrage, nettoyage et entretien... ..	11
Recherche des pannes éventuelles.....	12
Garantie, pièces de rechange et service après-vente....	13
Mise au rebut.....	14

# Pour apprendre à connaître votre réfrigérateur

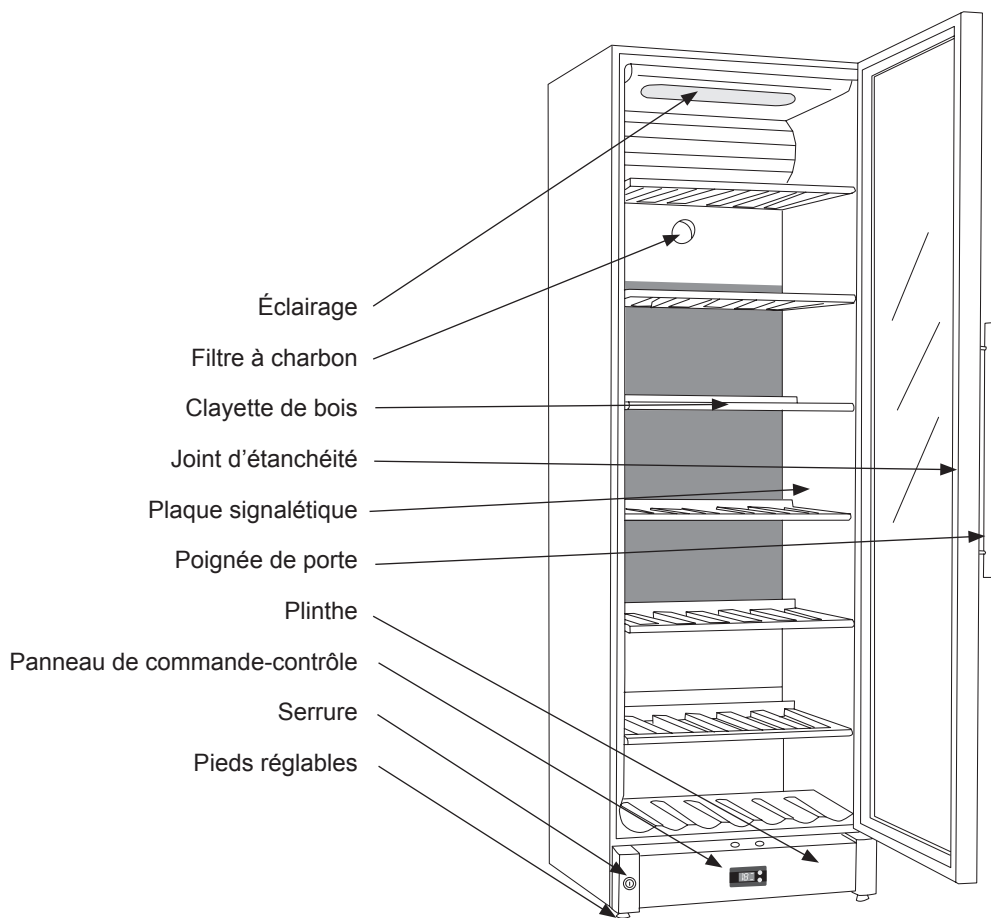


fig.1

## Mise en service et installation

### Mise en place

Pour des raisons de sécurité et de fonctionnement, l'appareil ne doit pas être placé à l'extérieur.

Placer l'appareil sur une surface plane et horizontale, dans un local sec et bien ventilé (max. 75 % d'hygrométrie relative). Ne jamais placer l'appareil près de sources de chaleur telles que cuisinières ou radiateurs, et éviter de le placer au rayonnement direct du soleil ou près d'une autre source de chaleur.

#### Température ambiante

La classe climatique est indiquée sur la plaque signalétique (voir fig. 1 page 3 et fig. 11 page 13). Elle indique dans quelle plage de température ambiante le réfrigérateur fonctionne de façon optimale. Les armoires à vin avec fonction hiver fonctionnent cependant jusqu'à une température ambiante de 5 °C.

Classe climatique	Température ambiante autorisée
SN	+10 °C à +32 °C
N	+16 °C à +32 °C
ST	+18 °C à +38 °C
T	+18 °C à +43 °C

### Installation

La surface sur laquelle l'appareil est placé doit être plane et horizontale. Ne pas utiliser de cadre ou autre.

L'appareil peut être installé comme unité indépendante le long d'un mur, être encastré dans un élément de cuisine, ou placé côte à côte avec d'autres appareils (fig. 2 et 3).

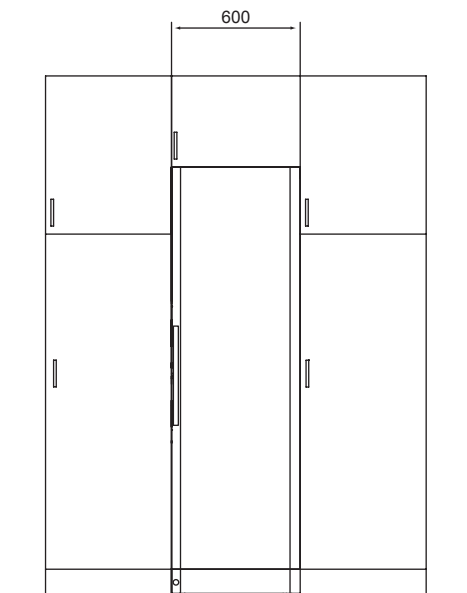


fig. 2

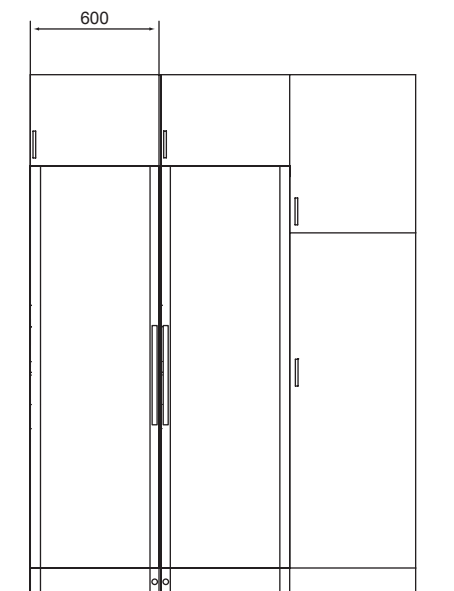


fig. 3

## L'appareil vu de dessus

Si l'appareil est placé près d'un mur, s'assurer que la distance au mur est suffisante pour que la porte puisse être assez ouverte pour permettre de retirer les rayonnages (fig. 4).

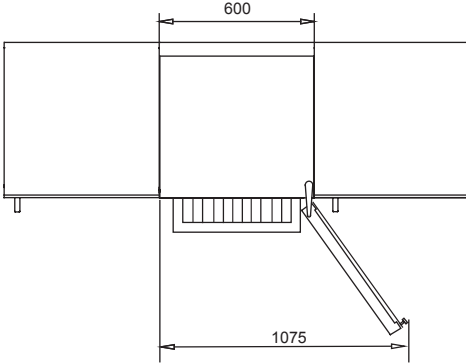


fig. 4

## Ventilation

Il est important que l'appareil soit bien ventilé et que l'air puisse circuler librement au-dessus, en dessous et autour de l'appareil. Les figures ci-dessous illustrent la façon dont la circulation d'air nécessaire autour de l'appareil peut être assurée (fig. 5 et 6).

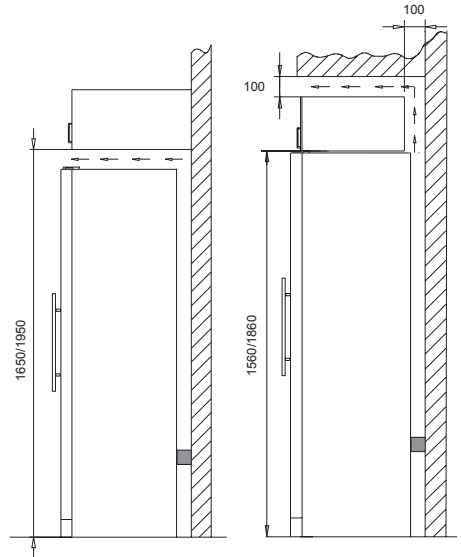


fig. 5

fig. 6

Les pièces intercalaires au dos de l'appareil sont là pour assurer la circulation d'air nécessaire. Monter les deux caches livrés avec l'appareil (voir fig. 7)

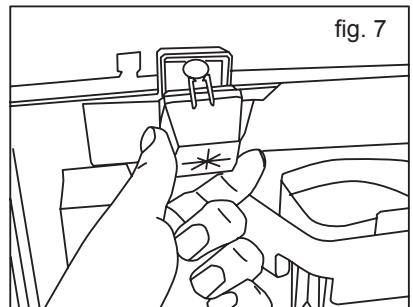


fig. 7

## Mise en place

Il est important que l'appareil soit parfaitement de niveau. Pour ce faire, ajuster les pieds réglables de devant en les tournant pour lever ou baisser (fig. 8). Contrôler à l'aide d'un niveau que l'appareil est bien de niveau latéralement.

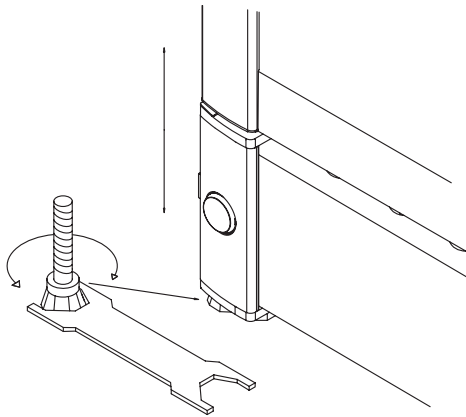
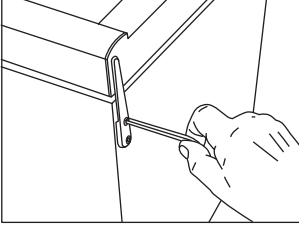


fig. 8

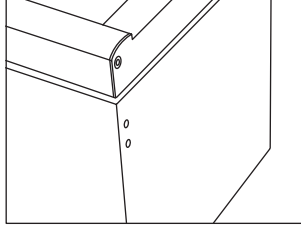


# Porte réversible

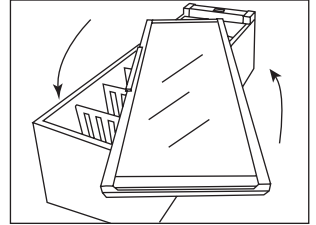
La porte peut s'ouvrir aussi bien à droite qu'à gauche ; pour modifier son sens d'ouverture, procéder comme suit :



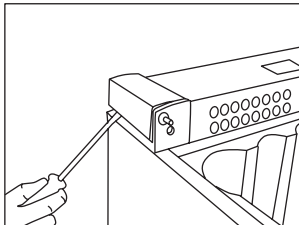
1. Coucher l'appareil et enlever la charnière du haut.



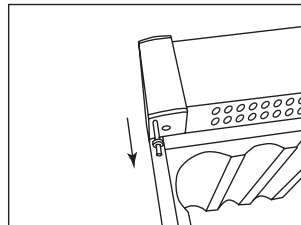
2. Démontez la charnière supérieure



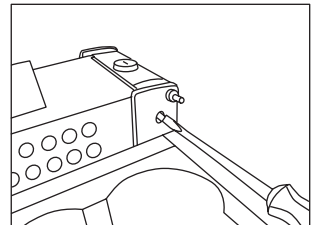
3. Retourner la porte de verre (sur le FZ 295w, enlever la poignée par l'intérieur sous le joint d'étanchéité)



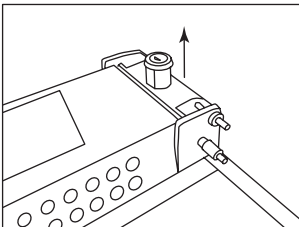
4. Démontez avec précaution les plaques qui recouvrent les côtés du socle, à l'aide d'un tournevis plat à rainure.



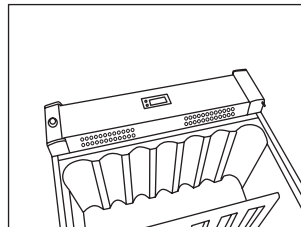
5. Tirer sur le gond ...  
... et le remettre du côté opposé.



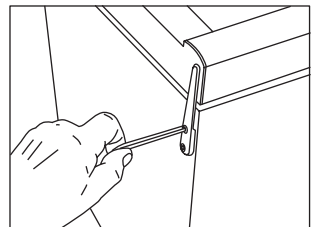
6. Dévisser la broche à l'aide d'un tournevis pla à rainure.



7. Une fois la broche dégagée, l'enlever par le haut avec le tambour de la serrure, et la remonter du côté opposé.



8. Remonter du côté opposé les plaques des côtés du socle en les pressant jusqu'au déclic.



9. Remettre la porte sur le gond du bas, et remonter et visser la charnière du haut.

10. Après l'inversion du sens d'ouverture de la porte, il est important de vérifier que le joint d'étanchéité recouvre correctement sa surface de contact sur le pourtour de la porte. Si cela n'est pas le cas, il est possible, à l'aide d'un sèche-cheveux, de chauffer avec précaution le joint d'étanchéité sur toute sa longueur, et de le tirer légèrement afin que la porte fermée soit de nouveau étanche. Attention à ne pas trop chauffer le joint d'étanchéité au risque de le faire fondre !

## Raccordement électrique

L'appareil est conçu pour le courant alternatif. La tension (V) et la fréquence (Hz) sont indiquées sur la plaque signalétique fixée dans l'appareil. Le raccordement doit se faire sur une prise réservée à l'appareil.

**Si le câble d'alimentation est endommagé, il doit être remplacé par un câble de même type fourni par le fabricant ou par son représentant assurant le service après-vente.**

### Caractéristiques techniques

Cet appareil est conforme aux règlements, aux directives et aux normes de marquage CE.

Directive basse tension 73/23/CEE.

Directive CEM 89/336/CEE.

# Utilisation et fonctionnement

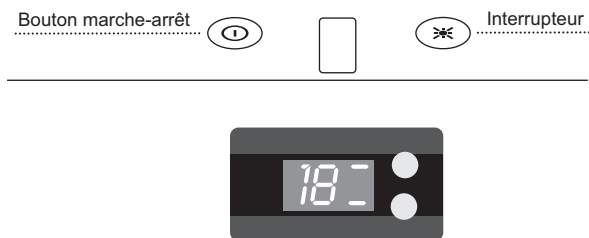


fig. 9

## Commande-contrôle électronique

La commande électronique veille à ce que la température programmée reste constante dans le haut et dans le bas de l'appareil. Cela grâce à un système avancé qui commande le système de réfrigération, le corps de chauffe et le ventilateur.

Après une éventuelle panne de courant, la température programmée est gardée en mémoire.

La commande-contrôle électronique possède les fonctions suivantes :

- Réglage de la température
- Indication de la température
- Dégivrage automatique du réfrigérateur
- Recherche de pannes, programmes de secours et de service après-vente
- Alarme en cas de température trop basse

Ⓛ Bouton marche-arrêt

⚡ L'interrupteur modifie la fonction lumineuse qui, au lieu de s'allumer en cas d'ouverture de la porte, reste allumée constamment.

## Affichage de la température

L'écran de visualisation affiche la température régnant dans le haut et dans le bas de

l'appareil. Pour alterner l'affichage entre la zone supérieure et la zone inférieure, appuyer brièvement et alternativement sur la touche du haut et du bas. Un filtre est intégré dans l'indicateur de température simulant la température du moment dans les bouteilles, c'est pourquoi l'affichage ne réagit pas aux brèves variations de la température de l'air.

## Réglage de la température

Les températures dans l'armoire se règlent par les deux touches de la commande électronique. La touche supérieure règle la température du haut. La touche inférieure règle la température du bas. Interrompre la sécurité enfant en appuyant sur la touche pendant 3 secondes, l'écran commence alors à clignoter et affiche l'actuelle valeur de consigne pour la zone choisie. Cela est valable pour les deux touches/zones. Ensuite, l'écran commence à clignoter, et les valeurs peuvent alors se dérouler entre 22 et 5 degrés. Lorsque la valeur souhaitée apparaît, ne pas toucher la commande pendant 3 secondes, mémoriser ensuite la valeur et la sécurité enfant est réactivée.

Remarque: la zone inférieure ne peut jamais être réglée sur une température plus élevée que la zone supérieure. C'est

pourquoi les valeurs les plus chaudes disponibles pour la zone inférieure seront toujours identiques à celles du réglage actuel de la zone supérieure.

## **Alarme en cas de température trop basse**

Si la température a été inférieure de 2 °C pendant plus d'une heure, l'écran affiche Lo/température actuelle alternativement par clignotement. Le gel détruit les capacités de maturation du vin.

## **Réglage multi-zone pour les températures de chambrage**

Le réglage typique à cet usage est la combinaison haut/bas de 16/6. Ce réglage permettra une diffusion de la température jusqu'au bas de l'armoire pour la conservation de différents types de crus, de la façon suivante, en partant du haut:

- vins rouges corsés +16 à +19 °C
- vins rosés et rouges légers +12 à +16 °C
- vins blancs +10 à +12 °C
- champagnes et vins mousseux +6 à +8 °C

Il est recommandé de servir les vins à quelques degrés en-dessous de la température souhaitée, le vin reprenant quelques degrés lorsqu'il est servi dans les verres.

## **Réglage zone unique pour conservation à long terme**

Pour la conservation longue durée des vins, le réglage recommandé est de 12/12 °C.

Un réglage identique dans le haut et dans le bas permettra au système réfrigérant d'assurer une température homogène dans la totalité de l'armoire.

Cependant, la température ambiante infiltrera lentement la porte et les flancs de l'armoire, causant une légère différence de température entre le haut et le bas.

L'appareil commandera dans le bas de l'armoire d'après la température saisie, et l'écart se trouvera par conséquent dans la partie supérieure.

La différence se situera entre 0 et 3 °C, selon la température ambiante.

## Dégivrage, nettoyage et entretien

### Dégivrage automatique du réfrigérateur

Le dégivrage du réfrigérateur est automatique ; l'eau de dégivrage s'écoule par un tuyau et elle est recueillie dans un bac spécial placé au-dessus du compresseur. Elle s'évapore ensuite sous l'action de la chaleur dégagée par le compresseur. Nettoyer de temps à autre le bac de collecte de l'eau de dégivrage.

### Nettoyage

Couper l'alimentation à l'aide du bouton marche-arrêt lorsque l'appareil doit être nettoyé intérieurement. Les meilleurs résultats sont obtenus en utilisant un mélange d'eau tiède et d'une faible quantité de liquide à vaisselle (max. 65 °C). Ne jamais utiliser de produits de nettoyage abrasifs. Utiliser un chiffon doux. Rincer à l'eau claire et essuyer à fond. La goulotte destinée à l'écoulement de l'eau de condensation de l'évaporateur se trouve en bas sur la paroi du fond à l'intérieur de l'appareil. S'assurer qu'elle reste toujours propre. Utiliser un produit désinfectant de type Rodalon : en faire couler quelques gouttes dans l'orifice d'écoulement deux-trois fois par an. Nettoyer ensuite avec un cure-pipe en coton ou équivalent. Ne jamais utiliser d'instrument pointu ou tranchant. Le joint d'étanchéité de la porte nécessite un nettoyage régulier afin d'éviter qu'il ne se décolore et pour garantir sa longévité. Utiliser de l'eau claire. Après nettoyage du joint d'étanchéité de la porte, contrôler qu'il assure toujours son rôle. Enlever la poussière accumulée sur le condensateur dorsal, sur le compresseur et dans l'espace compresseur à l'aide d'un aspirateur.

### Remplacement du néon

Éteindre l'appareil en appuyant sur le bouton marche-arrêt. Démontez le cache de lampe à l'aide d'un petit tournevis. Remplacer le tube (11 W).

Remettre le cache en place, remettre l'appareil en marche en appuyant sur le bouton marche-arrêt.



fig. 10

## Recherche de pannes éventuelles

Panne	Cause possible	Remède
L'appareil est "mort"!	L'appareil est éteint.  Panne de courant ; fusible grillé ou disjoncteur déclenché ; prise mal enfoncée.	Appuyer sur le bouton marche-arrêt.  Contrôler l'alimentation électrique. Contrôler le fusible ou le disjoncteur.
De l'eau s'écoule dans le fond du réfrigérateur.	L'orifice d'évacuation de l'eau de dégivrage est bouché.	Nettoyer la goulotte et l'orifice d'évacuation.
Vibrations et bruits gênants.	L'appareil n'est pas bien calé. L'appareil touche d'autres éléments de cuisine.  Des récipients ou des bouteilles se touchent dans l'appareil.	Mettre l'appareil de niveau. Écarter l'appareil des éléments de cuisine ou des appareils qui sont proches de lui.  Séparer les bouteilles ou les récipients qui s'entrechoquent.
Le compresseur tourne sans interruption.	Température ambiante élevée.	Assurer une bonne ventilation.
La commande affiche E1	Le capteur du haut ne fonctionne plus ou a subi un court-circuit	Contactez le service après-vente. Tout l'appareil est commandé d'après la valeur de consigne la plus chaude, jusqu'à la réparation.
La commande affiche E2	Le capteur du bas ne fonctionne plus ou a été court-circuité.	Contactez le service après-vente. Tout l'appareil est commandé d'après la valeur de consigne la plus chaude, jusqu'à la réparation.
La commande affiche ULO	La tension de réseau est inférieure à 184 V	
La commande affiche UHI	La tension de réseau est supérieure à 255 V	

# Garantie, pièces de rechange et service après-vente

## Vestfrost ne couvre pas

Les pannes ou les dommages dûs directement ou indirectement à une utilisation incorrecte ou fautive, un entretien insuffisant, un encastrement, une mise en place ou un raccordement incorrects, ainsi qu'à un incendie, un accident, un impact de foudre, des variations de tension et tout autre dysfonctionnement électrique dû par exemple à des fusibles ou disjoncteurs défectueux, ou à des défauts du réseau d'alimentation électrique, ainsi que dans le cas de réparations effectuées par des personnes autres que les réparateurs agréés par Vestfrost, et en termes généraux l'ensemble des pannes et dommages dont le fournisseur peut prouver qu'ils sont dûs à d'autres causes que des erreurs ou défauts de fabrication et de matériaux et qui, par conséquent, ne sont pas couverts par la garantie.

Les dommages dûs au transport et constatés chez le client sont à régler entre le client et le revendeur, ce qui signifie que ce dernier doit s'assurer de la satisfaction du client.

Avant de faire appel à l'assistance du service après-vente, toujours contrôler les points énumérés dans la liste de recherche des pannes (voir ce point). Dans le cas où la cause de l'intervention demandée ressort de la responsabilité de la personne ayant fait appel au service après-vente, par exemple si la panne de l'appareil est due à un fusible grillé ou à une mauvaise utilisation, c'est cette personne qui devra régler les frais entraînés par cette intervention.

## Pièces de rechange

Lors de la commande de pièces de rechange, indiquer le type, le numéro de série et de production (voir fig. 1 page 3 et fig. 11).

Ces informations se trouvent sur la plaque signalétique placée dans l'appareil. La plaque signalétique renferme plusieurs informations techniques, ainsi que les numéros de type et de série de l'appareil.

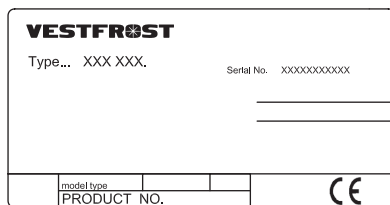


fig. 11

**TOUJOURS** faire appel à des services agréés en cas de réparation ou de remplacement !

## Service après-vente

Vestfrost dispose d'un réseau de centres de service après-vente répartis dans tout le pays et spécialistes des produits Vestfrost. Ces centres vous offrent prix fixe et travail professionnel. Pour trouver votre centre de service après-vente, consulter [www.vestfrost.dk](http://www.vestfrost.dk)


## Mise au rebut

Observer également les règlements environnementaux en vigueur. Adressez-vous aux services compétents de votre commune pour savoir comment la collecte et le recyclage de ce type d'appareil se déroulent dans votre commune.

Cet appareil porte le symbole du recyclage conformément à la Directive Européenne 2002/96/CE concernant les Déchets d'Équipements Électriques et Électroniques (DEEE ou WEEE).

En procédant correctement à la mise au rebut de cet appareil, vous contribuerez à empêcher toute conséquence nuisible pour l'environnement et la santé de l'homme.



Le symbole  présent sur l'appareil ou sur la documentation qui l'accompagne indique que ce produit ne peut en aucun cas être traité comme déchet ménager. Il doit par conséquent être remis à un centre de collecte des déchets chargé du recyclage des équipements électriques et électroniques.

Pour la mise au rebut, respectez les normes relatives à l'élimination des déchets en vigueur dans le pays d'installation. Pour obtenir de plus amples détails au sujet du traitement, de la récupération et du recyclage de cet appareil, veuillez vous adresser au bureau compétent de votre commune, à la société de collecte des déchets ou directement à votre revendeur.



Tak fordi du valgte et nyt vinkøleskab fra Vestfrost. Bemærk at brugsanvisningen gælder for alle vinkøleskabe i FZ serien. Illustrationer og udstyr svarer derfor ikke nødvendigvis helt til din model.

## Advarsel

**ADVARSEL:** - lad ventilations åbninger, i apparatets kabinet og i eventuelt indbygningsmodul, være utildækkede.

**ADVARSEL:** - anvend ikke mekaniske apparater eller andre hjælpemidler til at accelerere afrimningsprocessen, foruden de, som er anbefalet af fabrikanten.

**ADVARSEL:** - undgå at beskadige kølesystemet.

**ADVARSEL:** - anvend ikke elektriske apparater inden i skabet, medmindre de er af en type anbefalet af fabrikanten.

Apparatet må ikke udsættes for regn.

\* Opbevar altid nøglerne et separat sted utilgængeligt for børn.

\* Før reparation eller rengøring af apparatet, skal stikproppen fjernes fra stikkontakten.

Da apparatet anvender en brandbar gasart (Isobutane R600a), er det afgørende at kontrollere, at kredsløb og rør ikke er beskadigede.

Skulle det ske undgå da gnister eller åben ild, sørg for udluftning i rummet, afbryd strømmen, hvis den er sat til og kontakt din leverandør.

Servicering må kun foretages af et kvalificeret servicecenter.

## Gamle apparater

Gamle køleskabe og fryserer er ofte udstyret med komplicerede smæklåse som kun kan åbnes udefra. Hvis du har en sådan model stående eller kasserer den, så husk at ødelægge låsen først. Således forhindrer du, at legende børn bliver indespærret og kommer i livsfare.

## Inden brug

Inden du anvender dit nye apparat bør du læse brugsanvisningen grundigt. Brugsanvisningen indeholder vigtige informationer vedrørende sikkerhed, installation, drift og vedligeholdelse. Gem brugsanvisningen. Du kan få brug for den på et senere tidspunkt.

Kontroller at skabet ikke er beskadiget ved modtagelsen. Transportskader skal anmeldes til forhandleren inden køleskabet tages i brug.

Fjern emballagen. Rengør skabet indvendigt med lunken vand tilsat et mildt opvaskemiddel. Afvask med rent vand og tør grundigt af (se rengøring). Brug en blød klud.

Hvis skabet har ligget ned under transport eller det er blevet opbevaret i kolde omgivelser (koldere end +5 °C) skal apparatet stå op i minimum en time inden ibrugtagning.

## Indhold

Lær køleskabet at kende.....	3
Ibrugtagning og installation.....	4
Vendbar dør.....	7
El-tilslutning.....	8
Betjening og funktion.....	9
Afrimning rengøring og vedligeholdelse.....	11
Fejlfindingsliste.....	12
Reklamation, reservedele og service.....	13
Bortskaffelse.....	14

# Lær køleskabet at kende

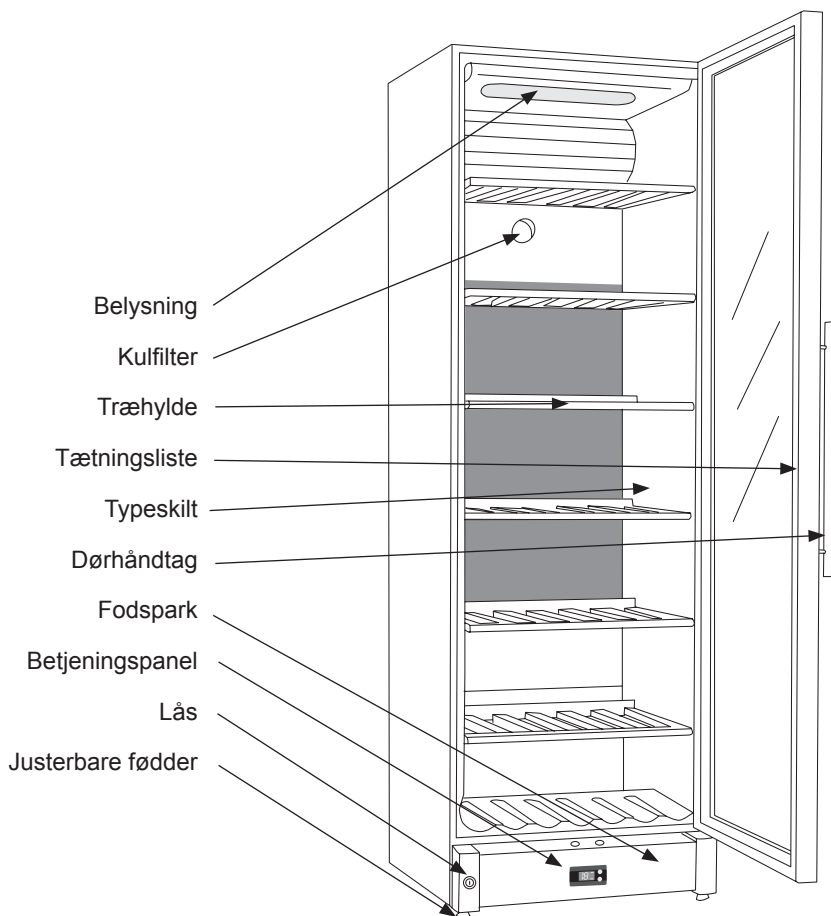


fig.1

# Ibrugtagning og installation

## Placering

Af sikkerhedsmæssige og driftsmæssige grunde må apparatet ikke placeres udendørs.

Stil skabet på et plant underlag i et tørt og godt ventileret rum (max. 75% relativ luftfugtighed). Anbring ikke skabet tæt på varmekilder såsom komfur eller radiator og undgå at det udsættes for direkte sollys eller varme fra anden varmekilde.

## Rumtemperaturen

Klimaklassen står på typeskiltet (se fig. 1 side 3 og fig. 11 side 13). Den angiver indenfor hvilke rumtemperaturer kølekabet kører optimalt. Vinskabene med vinterposition fungerer dog ned til 5° C rumtemperatur.

Klimaklasse	Tilladt rumtemperatur
SN	+10 °C til +32 °C
N	+16 °C til +32 °C
ST	+18 °C til +38 °C
T	+18 °C til +43 °C

## Installation

Underlaget hvorpå skabet opstilles skal være plant. Brug ikke en ramme eller lignende.

Skabet kan stå frit op ad en væg, bygges ind i et køkkenelement eller stå side om side med andre skabe (fig. 2-3).

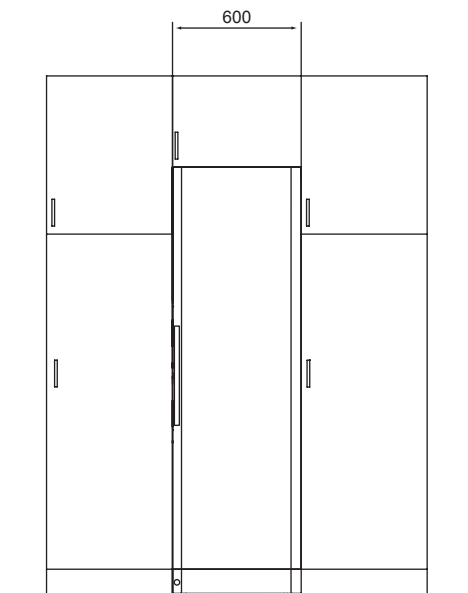


fig. 2

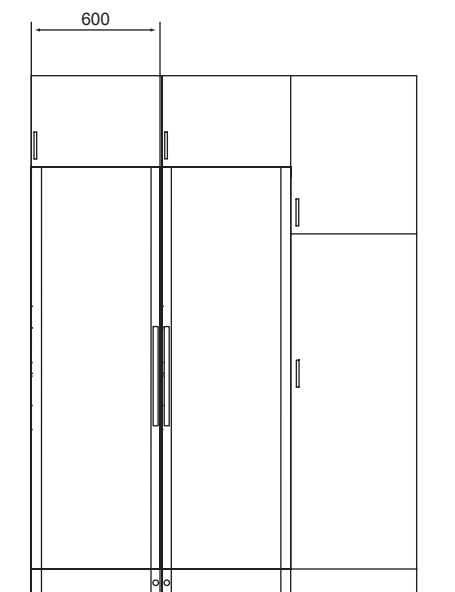


fig. 3

## Skabet set fra oven

Når skabet placeres ved siden af en væg, skal man sikre at der er tilstrækkeligt plads til at døren kan åbnes så meget at hylderne kan trækkes ud (fig. 4).

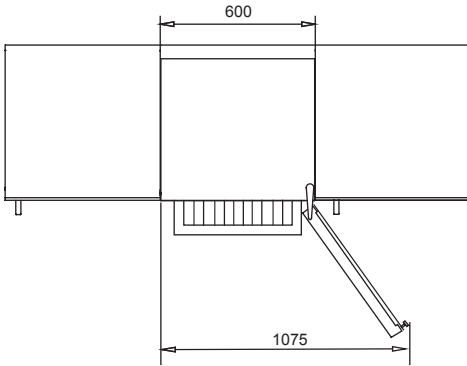


fig. 4

## Ventilation

Det er vigtigt, at skabet får tilstrækkelig ventilation og at der er uhindret luftcirkulation over, under og omkring det. Figurene nedenfor viser, hvordan du sikrer den nødvendige cirkulation omkring skabet (fig. 5-6).

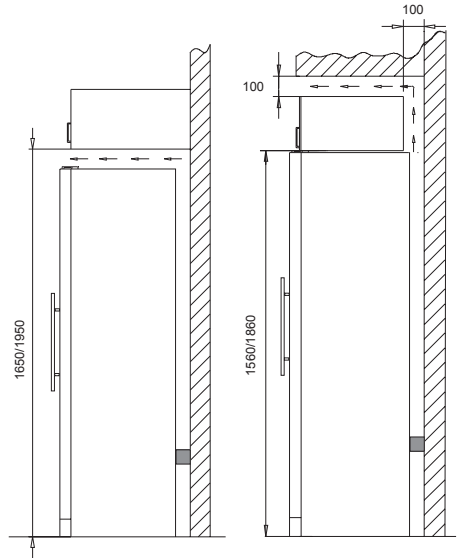
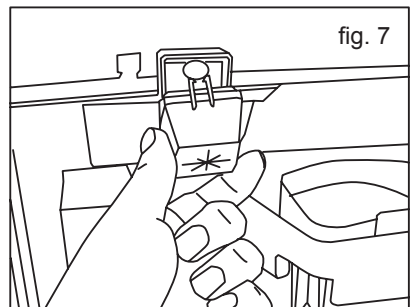


fig. 5

fig. 6

Afstandsstykkerne på skabets bagside sikrer den nødvendige luftcirkulation. Monter de to afdækninger som følger med skabet (se fig. 7)



## Opstilling

Det er vigtigt, at skabet står helt lige.

Man kan justere skabet ved at dreje de stilbare

Fødder i front op eller ned (se figur 8).

Kontroller med et vaterpas, at skabet står lige sideværts.

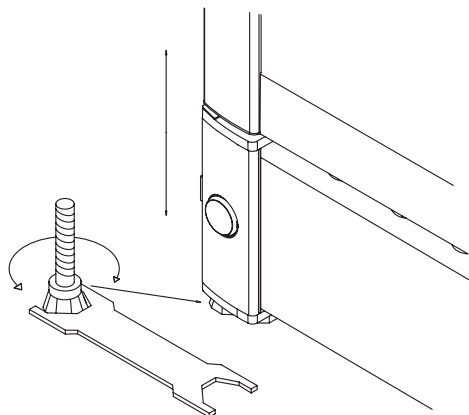
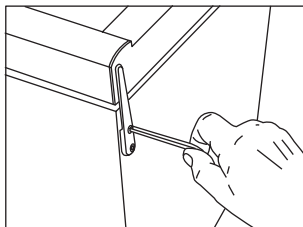


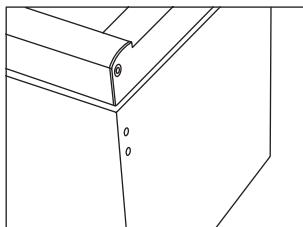
fig. 8

# Vendbar dør

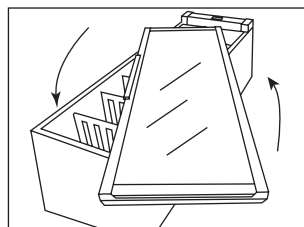
Døren kan ændres fra højrehængt til venstrehængt og omvendt på følgende måde:



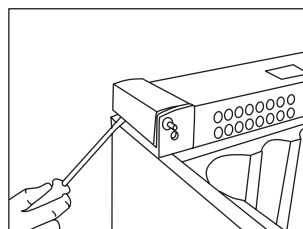
1. Skabet ligges ned, og tophængslet løsnes.



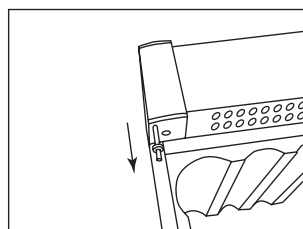
2. Afmonter tophængslet



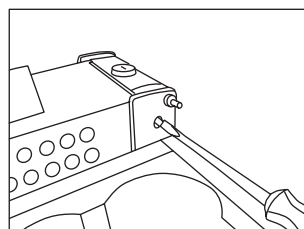
3. Glasdøren endevendes (På FZ 295 W rykkes håndtaget, som løsnes indvendigt under tætningslisten).



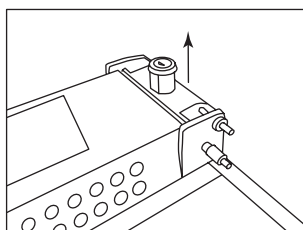
4. Afdækningerne i sokkelsiderne afmonteres forsigtigt med en fladkærvet skruetrækker.



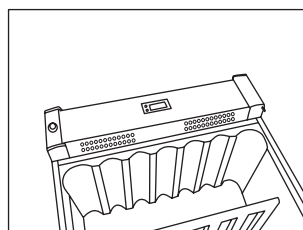
5. Hængselstappen trækkes op...  
... og monteres ned i modsat side.



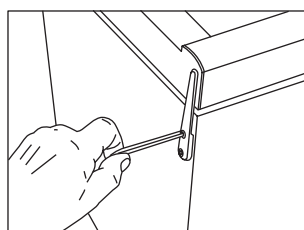
6. Låsetappen skrues fri med en fladkærvet skruetrækker.



7. Når låsetappen er skruet fri trækkes den op sammen med låsecylinderen, og monteres igen i modsatte side.



8. Afdækningerne i sokkelsiderne klikkes på i modsat side.



9. Døren monteres ned over bundtap, og tophængsel monteres og skrues godt fast.

10. Efter omhængsling skal der undersøges om tætningslisten slutter tæt hele vejen rundt. Gør den ikke det. Kan man med en hårdtørret meget forsigtigt opvarme tætningslisten i hele dens længde. Og dernæst hjælpe tætningsliste lidt ud, så den igen slutter tæt til skabet. Pas på at tætningslisten ikke bliver så varm at den smelter!

# El-tilslutning

Køleskabet er beregnet for tilslutning til vekselstrøm. Tilslutningsværdierne for spænding (V) og frekvens (Hz) er vist på typeskiltet inde i skabet. Tilslutning skal ske til en selvstændig stikkontakt.

## Ekstrabeskyttelse

Ifølge stærkstrømsbekendtgørelsen skal køleskabet ekstrabeskyttes. Dette gælder også, selv om der er tale om udskiftning af en eksisterende model, der ikke har været ekstrabeskyttet.

Formålet med ekstrabeskyttelsen er at beskytte brugere mod farlige elektriske stød i tilfælde af fejl.

I boliger opført efter 1. april 1975, vil alle stikkontakter i køkken og eventuelt bryggers være omfattet af en ekstrabeskyttelse.

I boliger opført før 1. april 1975, er ekstrabeskyttelsen i orden, hvis der er installeret HFI-afbryder, som beskytter den stikkontakt, køleskabet skal forbindes til.

## I begge tilfælde skal der:

- hvis stikkontakten er for trebenet stikprop, benyttes en trebenet stikprop, og lederen med gul/grøn isolation skal tilsluttes jordklemme.
- hvis stikkontakten kun er for tobenet stikprop, benyttes en tobenet stikprop. Hvis du selv monterer denne, skal lederen med gul/grøn isolation klippes af så tæt som muligt på det sted, hvor ledningen går ind i stikproppen.

I alle tilfælde bør man lade en autoriseret elinstallatør undersøge, hvordan man nemmest får ekstrabeskyttet apparatet. Elektricitetsrådet anbefaler, at den krævede ekstra beskyttelse udføres med HFI- eller HPFI-afbryder.

**Hvis netledningen bliver beskadiget, skal den udskiftes af fabrikanten, dennes service repræsentant eller af en tilsvarende uddannet person.**

## Tekniske data

Dette apparat efterkommer CE mærke regulering, direktiver og standarder. Lavspændingsdirektivet 73/23/EEC EMC direktivet 89/336/EEC.

## Betjening og funktion

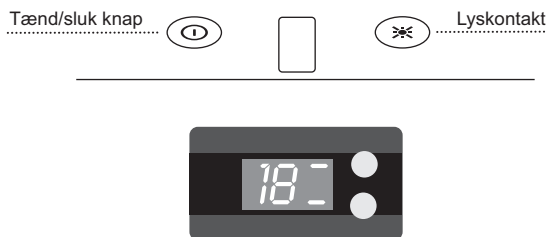


fig. 9

### Elektronisk styring

Den elektroniske styring sørger for at skabet holder de indstillede temperaturer i top og bund af skabet. Dette opnås ved en avanceret styring af kølesystem, varmelegeme og ventilator. Efter en eventuel strømafbrydelse huskes den indstillede temperatur. Den elektroniske styring har følgende funktioner:

- Temperaturindstilling
- Temperaturangivelse
- Automatisk afrimning
- Fejlfinding, nød- og serviceprogrammer
- Alarm ved lav temperatur

Ⓛ Tænd/sluk knap

⌘ Lyskontakt skifter lysets funktion fra at tænde ved døråbning til at være tændt konstant

### Temperatur-udlæsning

Displayet viser den aktuelle temperatur i toppen eller i bunden af skabet. Der kan skiftes visning mellem øverste og nederste zone ved at trykke kort på øverste hhv. nederste taste, hvilken zone der vises angives af de lysende bjælker ud for tasterne. Temperaturvisningen har indbygget et filter som simulerer den

aktuelle temperatur i flaskerne, derfor reagerer udvisningen ikke på kortvarige variationer i lufttemperaturen.

### Temperatur-indstilling

Temperaturerne i skabet indstilles med de to knapper på den elektroniske styring. Øverste knap indstiller temperaturen i top. Nederste knap indstiller i bund.

Afbryd børnesikringen ved at trykke knappen ind i 3 sekunder, displayet begynder at blinke og viser det aktuelle setpunkt for den valgte zone.

Dette gælder begge taster/zoner. Derefter begynder displayet at blinke, og værdien kan nu rulles igennem fra 22 til 5 grader. Når den ønskede værdi vises, lades styringen uberørt i 3 sekunder, hvorefter værdien lagres og børnesikringen igen træder i kraft.

Bemærk at nederste zone aldrig kan indstilles varmere end øverste zone. Derfor vil varmeste tilgængelige værdi for nederste zone altid være identisk med den aktuelle indstilling i øverste zone.

### Alarm ved lav temperatur

Har temperaturen været under 2°C i mere end 1 time vises Lo/aktuel temperatur skiftevis, blinkende. Frost er ødelæggende for vinenes evne til at modnes.



## Fler-zone indstilling for serverings-temperering

Typisk indstilling for denne anvendelse er en top/bund indstilling på 16/6. Med denne indstilling vil temperaturerne fordele sig ned igennem skabet, til opbevaring af forskellige vintyper efter følgende fordeling, fra top mod bund:

- tunge rødvine +16 til +19 °C
- Rosé og lette rødvine +12 til +16 °C
- hvidvin +10 til +12 °C
- champagne og mousserende vine +6 til +8 °C

Det anbefales at servere vinene et par grader koldere end den ønskede drikketemperatur, da vinen ved skænkning i glasset hurtigt bliver varmet en anelse op.

## Enkelt-zone indstilling for langtidslagring

For langtidsopbevaring af vine anbefales en top/bund indstilling på 12/12°C.

Med samme indstilling i top og bund vil kølesystemet skabe en jævn temperatur i hele skabet.

Dog vil omgivelsernes temperatur trænge langsomt ind gennem skabets dør og sider, og forårsage en lille temperaturforskel mellem top og bund. Skabet vil styre ind i bunden efter den indstillede temperatur, og afvigelsen vil derfor være i toppen.

Forskellen vil ligge mellem 0 – 3 °C, afhængig af omgivelsestemperaturen.

## Afrimning, rengøring og vedligeholdelse

### Automatisk afrimning af køleskabet

Afrimning af køleskabet sker automatisk, smeltevandet løber gennem et rør ned til tøvandsskålen der sidder oven på kompressoren. Vandet fordamper på grund af varmen fra kompressoren. Tøvandsskålen bør gøres ren engang imellem.

### Rengøring

Før rengøring påbegyndes skal stikproppen fjernes fra stikkontakten. Skabet rengøres bedst med en opløsning af lunkent vand tilsat lidt opvaskemiddel (max. 65 °C). Anvend ikke rengøringsmidler der kan ridse. Brug en blød klud. Vask efter med rent vand og tør grundigt af. Tøvandsrenden, hvor kondensvandet fra fordampere løber ned i, sidder i bunden af bagvæggen inde i skabet. Sørg for at den er ren. Brug et desinfektionsmiddel, som f.eks. rodalon, der skal dryppes i tøvandsafløbet et par gange om året. Rens med en piberenser eller lignende. Brug aldrig skarpe eller spidse genstande. Tætningslisten rundt ved døren kræver jævnlig rengøring for at undgå misfarvning og sikre lang holdbarhed. Brug rent vand. Efter rengøring af dørens tætningsliste bør du kontrollere om den fortsat slutter tæt. På rykkondensator, kompressoren og i kompressorrummet fjernes støvet bedst med en støvsuger.

### Udskiftning af lysstofrør

Før lysstofrøret skiftes skal stikproppen fjernes fra stikkontakten. Afmonter lysskærmen ved hjælp af en lille fladhovedet skruetrækker. Udskift PLC-røret (11W).

Monter lysskærmen og start skabet igen ved at trykke på tænd/sluk knappen.



fig. 10

## Fejlfindingsliste

Fejl	Mulig årsag	Afhjælpning
Skabet er "dødt!.	Skabet er slukket.  Strømsvigt; sikringen er slået fra; netstikket er ikke sat rigtigt i.	Tryk på tænd/sluk knappen.  Kontrollér om strømmen er tilsluttet. Sikringen skal være slået til.
Der løber vand i bunden af køleskabet.	Tøvandsafløbsrøret er tilstoppet.	Rens tøvandsrenden og afløbs-hullet i bagvæggen.
Vibrationer eller generende støj.	Skabet står skævt.  Skabet hviler op mod andre køk-kenelementer.  Beholdere eller flasker berøre hinanden i skabet.	Indstil skabet med et vaterpas.  Ryk skabet væk fra køkkenel-ementerne eller apparater, som står umiddelbart op ad skabet.  Sørg for afstand mellem flasker og/eller beholdere.
Kompressor kører konstant.	Høj rumtemperatur.	Sørg for god ventilation.
Styringen viser E1	Topføleren er afbrudt eller kort-sluttet	Tilkald service. Hele skabet sty-rer efter varmeste setpunkt, indtil fejlen er udbedret.
Styringen viser E2	Bundføleren er afbrudt eller kortsluttet.	Tilkald service. Hele skabet sty-rer efter varmeste setpunkt, indtil fejlen er udbedret.
Styringen viser ULO	Netspændingen er lavere end 184 V	
Styringen viser UHI	Netspændingen er højere end 255 V	

# Reklamation, reservedele og service

## Reklamationsretten

Såfremt der konstateres fejl ved produktet, kan De overfor leverandøren gøre brug af reklamationsretten ifølge gældende lovgivning. Vestfrost forpligter sig til for egen regning at afhjælpe fabrikations- og materialefejl, der konstateres ved apparatets normale brug i købers private husholdning her i landet, under forudsætning af, at apparatet er købt som fabriksnyt i Danmark. For Grønland og Færøerne gælder særlige bestemmelser.

Såfremt Vestfrost skønner det nødvendigt, at apparatet indsendes til værksted, sker indsendelse og returnering for Vestfrosts regning og risiko.

## Vestfrost dækker ikke

Fejl eller skader direkte eller indirekte opstået ved fejlbetjening, misbrug mangelfuld vedligeholdelse, fejlagtig indbygning, opstilling eller tilslutning samt ved brand, ulykke, lynnedslag, spændingsvariationer eller andre elektriske forstyrrelser som f.eks. defekte sikringer eller fejl i forsyningsnettets elektriske installationer samt ved reparationer udført af andre end de af Vestfrost anviste reparatører, og i det hele taget fejl og skader, som leverandøren kan godtgøre skyldes andre årsager end fabrikations- og materialefejl, er ikke omfattet af reklamationsretten.

Transportskader, der konstateres hos forbrugeren, er primært en sag mellem forbruger og forhandler, dvs. forhandler må drage omsorg for, at forbrugeren stilles tilfreds.

Inden du tilkalder serviceassistance, bedes du kontrollere de fejlmuligheder, du selv kan afhjælpe (se fejlfindingslisten). Såfremt dit krav om afhjælpning er uberettiget, eksempelvis hvis apparatets svigt skyldes en sprunget sikring eller en fejlbetjening, må du selv betale de omkostninger, der er forbundet med at have tilkaldt serviceassistance.

## Reservedele

Angiv venligst type- og serienummer samt produktnummer, når du bestiller reservedele (se fig. 1 side 3 og fig. 11). Disse oplysninger finder du på typeskiltet inde i skabet. Typeskiltet, indeholder forskellige tekniske oplysninger, samt type- og serienummer.


<b>VESTFRØST</b>									
Type...	XXX XXX.	Serief. No.	XXXXXXXXXX						
<table border="1"> <tr> <td>model type</td> <td></td> <td></td> </tr> <tr> <td colspan="3">PRODUCT NO.</td> </tr> </table>			model type			PRODUCT NO.			
model type									
PRODUCT NO.									

fig. 11

**Husk** altid at bruge autoriserede håndværkere, hvis der er noget der skal repareres eller udskiftes!

## Service

Vestfrost har lokale servicecentre i hele landet, som er specialister i Vestfrost. Her kan du få faste priser og professionel hjælp til alle reparationer. Find dit lokale servicecenter på [www.vestfrost.dk](http://www.vestfrost.dk).


## Bortskaffelse

Vær opmærksom på gældende miljøregler. Kommunens tekniske forvaltning kan oplyse dig om hvordan opsamling og genanvendelse af sådanne apparater foregår i kommunen.

Dette produkt er mærket i henhold til EU-direktiv 2002/96/EF om Kasseret elektrisk og elektronisk udstyr (WEEE).

Ved at sikre, at dette produkt bliver skrottet korrekt, hjælper man med til at forhindre potentielle, negative konsekvenser for miljøet og folkesundheden, der kunne opstå gennem uhensigtsmæssig bortskaffelse af dette produkt.



Symbolet  på produktet eller på dokumenterne, der ledsager produktet, angiver, at produktet ikke må bortskaffes sammen med husholdningsaffaldet.

Det skal i stedet afleveres på en genbrugsstation for elektrisk og elektronisk udstyr.

Det skal skrotes i henhold til gældende lokale miljøregler for bortskaffelse af affald. For yderligere oplysninger om håndtering, genvinding og genbrug af dette produkt bedes man kontakte de lokale myndigheder, renovationsselskabet eller forretningen, hvor produktet er købt.

Takk for at du valgte et nytt vinkjøleskap fra Vestfrost. Vær oppmerksom på at bruksanvisningen gjelder for alle vinkjøleskapene i FZ-serien. Illustrasjoner og utstyr svarer derfor ikke nødvendigvis helt til din modell.

## Advarsel

Siden kjølemediet som benyttes i apparatet, er en brennbar gass (Isobutan R600a), bør man være ekstra oppmerksom på at kretsløp og rør ikke blir skadet under transport og installasjon.

Hvis det skulle skje, så unngå gnister eller åpen ild, sørg for ventilasjon i rommet, avbryt strømmen, hvis den er koblet til, og kontakt din leverandør.

Service må kun utføres av et kvalifisert servicesenter.

## Gamle apparater

Gamle kjøleskap og fryserer er ofte utstyrt med kompliserte smekklåser som bare kan åpnes fra utsiden. Hvis du har en slik modell stående eller kasserer en, så husk å ødelegge låsen først. På den måten forhindrer du at lekende barn kan bli sperret inne og komme i livsfare.

## Før bruk

Før du bruker ditt nye apparat, bør du lese bruksanvisningen grundig. Bruksanvisningen inneholder viktige opplysninger om sikkerhet, installasjon, drift og vedlikehold. Ta vare på bruksanvisningen. Du kan få bruk for den senere.

Kontroller at skapet ikke har blitt skadet under transporten. Transportskader skal anmeldes til forhandleren før kjøleskapet tas i bruk.

Fjern emballasjen. Rengjør skapet innvendig med lunkent vann tilsatt et mildt

oppvaskmiddel. Vask med rent vann og tør grundig av (se rengjøring). Bruk en myk klut.

Hvis skapet har ligget ned under transport, eller det har blitt lagret i kalde omgivelser (kaldere enn +5 °C), må apparatet stå oppreist i minimum en time innen det tas i bruk.

## Innhold

Bli kjent med kjøleskapet.....	3
Start og installasjon.....	4
Vendbar dør.....	7
Elektrisk tilkobling.....	8
Betjening og funksjon.....	9
Avriming, rengjøring og vedlikehold.....	11
Feilsøkingliste.....	12
Reklamasjon, reservedeler og service.....	13
Kassering.....	14

# Bli kjent med kjøleskapet

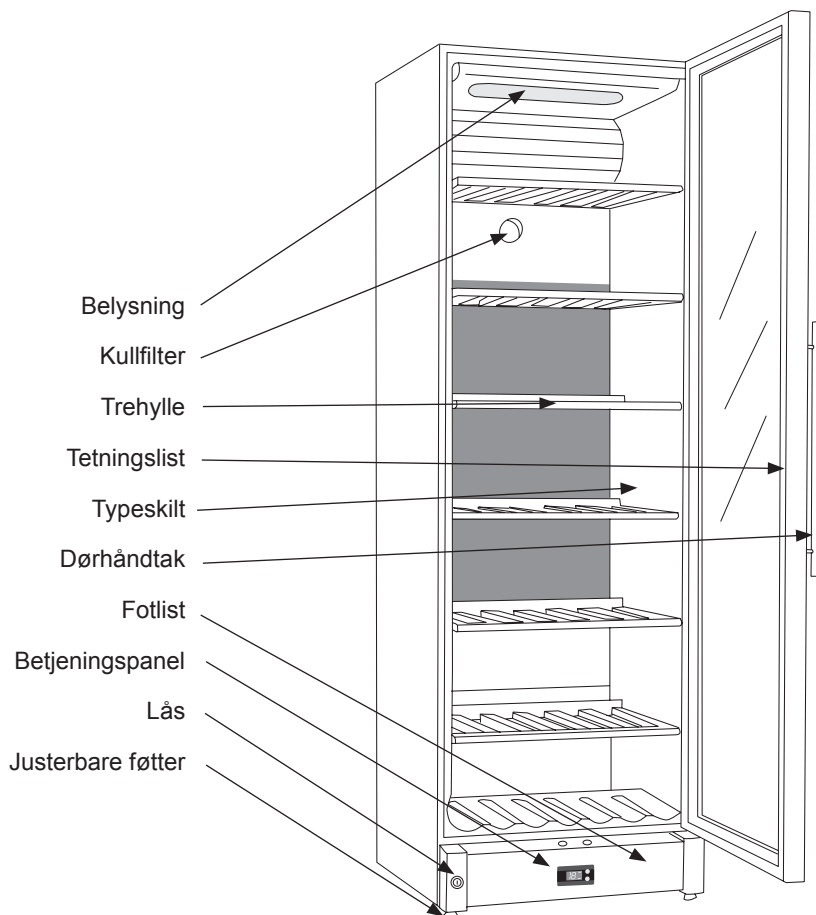


fig.1

# Start og installasjon

## Plassering

Av sikkerhetsmessige og driftsmessige årsaker må apparatet ikke plasseres utendørs.

Sett skapet på et plant underlag i et tørt og godt ventilert rom (maks. 75 % relativ luftfuktighet). Sett ikke skapet tett på varmekilder som komfyr eller radiator og unngå at det utsettes for direkte sollys eller varme fra andre varmekilder.

## Romtemperaturen

Klimaklassen står på typeskiltet (Se fig. 1 side 3 og fig. 11 side 13). Den oppgir innenfor hvilke romtemperaturer kjøleskapet virker optimalt. Vinskap med vinterposisjon fungerer imidlertid ned til 5 °C romtemperatur.

Klimaklasse	Tillatt romtemperatur
SN	+10 °C til +32 °C
N	+16 °C til +32 °C
ST	+18 °C til +38 °C
T	+18 °C til +43 °C

## Installasjon

Underlaget som skapet skal stå på, må være plant. Bruk ikke en ramme eller lignende.

Skapet kan stå fritt opp langs en vegg, bygges inn i et kjøkkenelement eller stå side om side med andre skap (fig. 2-3).

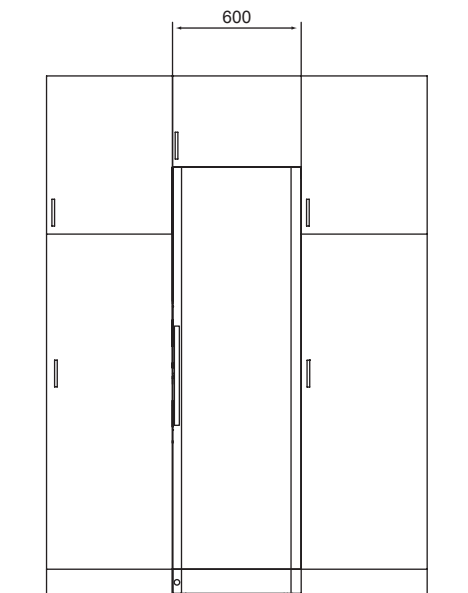


fig. 2

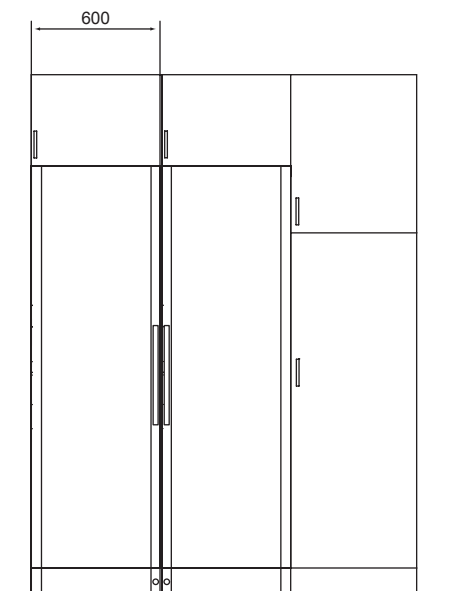


fig. 3



## Skapet sett ovenfra

Når skapet plasseres ved siden av en vegg, må man sikre at det er tilstrekkelig plass til at døren kan åpnes så mye at hyllene kan trekkes ut (fig. 4).

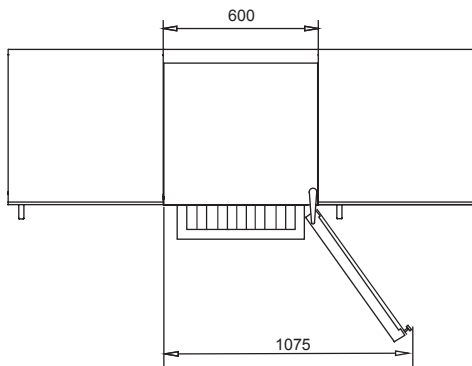


fig. 4

## Ventilasjon

Det er viktig at kjøleskapet får tilstrekkelig ventilasjon, og at det er god luftsirkulasjon over, under og rundt skapet.

Figurene nedenfor viser hvordan du sikrer at det er den nødvendige sirkulasjon rundt skapet (fig. 5-6).

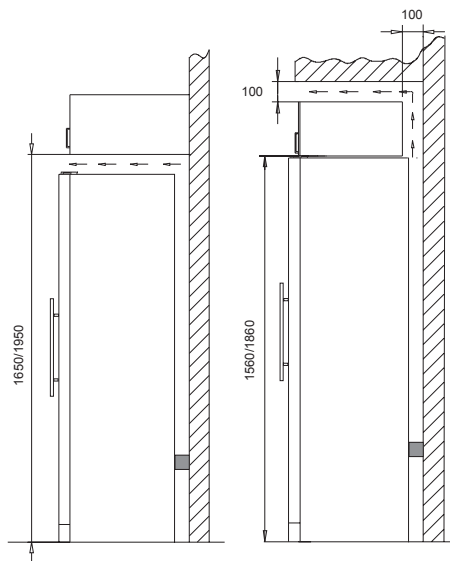
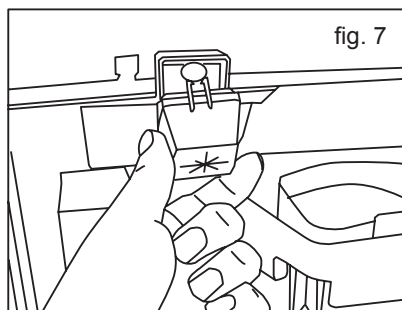


fig. 5

fig. 6

Avstandsstykkene på baksiden av skapet sikrer at det er den nødvendige luftsirkulasjon. Monter de to deksler som følger med skapet (se fig. 7).



## Oppstilling

Det er viktig at skapet står helt rett. Man kan justere skapet ved å skru de stillbare føttene foran opp eller ned (se figur 8). Kontroller med et vater at skapet står rett sideveis.

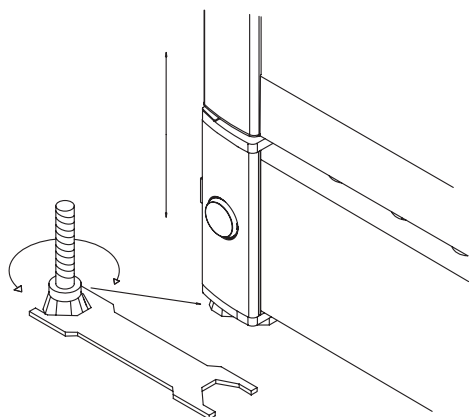
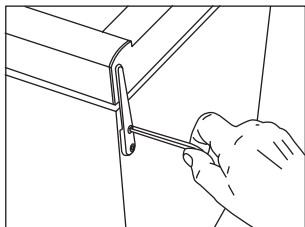


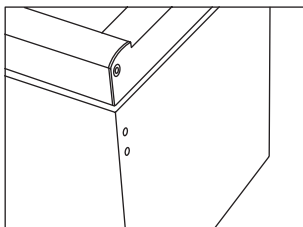
fig. 8

# Vendbar dør

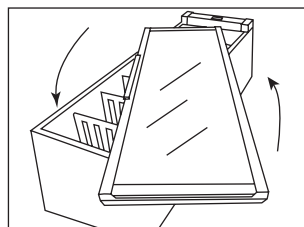
Døren kan endres fra høyrehengslet til venstrehengslet og omvendt på følgende måte:



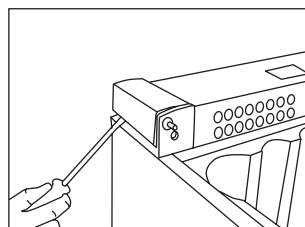
1. Skapet legges ned, og topphengslet løsnes.



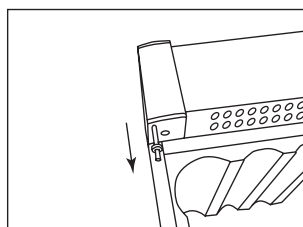
2. Demonter topphengslet.



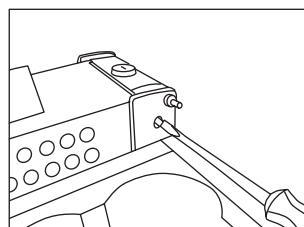
3. Glassdøren vendes (På FZ 295 W flyttes håndtaket, som løsnes innvendig under tetningslisten).



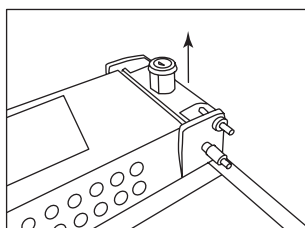
4. Dekslene i sokkelsidene demonteres forsiktig med en flat skrutrekker.



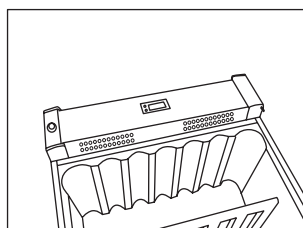
5. Hengseltappen trekkes opp ...  
... og monteres ned i motsatt side.



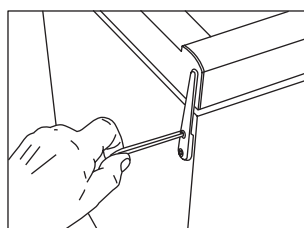
6. Låsetappen skrues løs med en flat skrutrekker.



7. Når låsetappen er skrudd løs, trekkes den opp sammen med låsesylinderen og monteres igjen i motsatte side.



8. Dekslene i sokkelsidene klikkes på i motsatt side.



9. Døren monteres ned over bunntappen, og topphengslet monteres og skrues godt fast.

10. Etter omhengsling må det kontrolleres om tetningslisten tetter hele veien rundt. Gjør den det ikke, kan man svært forsiktig varme opp tetningslisten i dens fulle lengde med en hårtørrer. Og deretter hjelpe tetningslisten litt ut så den igjen holder skapet tett. Pass på at tetningslisten ikke blir så varm at den smelter!

## Elektrisk tilkobling

Kjøleskapet er beregnet for tilkobling til vekselstrøm. Tilkoblingsverdiene for spenning (V) og frekvens (Hz) er vist på typeskiltet inne i skapet. Skapet skal kobles til en selvstendig stikkontakt.

**Hvis strømledningen er skadet, må den skiftes ut med en av tilsvarende type som leveres av fabrikanten eller dennes serviceforbindelser.**

### Tekniske data

Dette apparatet oppfyller CE-merkeregulene, direktiver og standarder.

Lavspenningsdirektivet 73/23/EEC.

EMC-direktivet 89/336/EEC.

## Betjening og funksjon

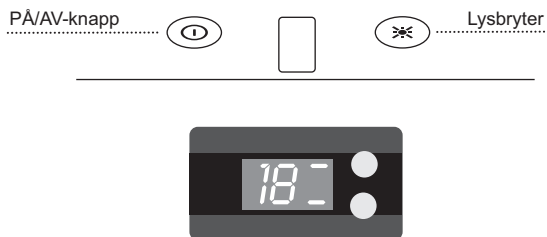


fig. 9

### Elektronisk styring

Den elektroniske styringen sørger for at skapet holder de innstilte temperatuene i toppen og bunnen av skapet. Dette oppnår man med en avansert styring av kjølesystem, varmeelement og vifte. Etter et eventuelt strømbryt husker skapet den innstilte temperaturen. Den elektroniske styringen har følgende funksjoner:

- Temperaturinnstilling
- Temperaturangivelse
- Automatisk avriming
- Feilsøking, nød- og serviceprogrammer
- Alarm ved lav temperatur

Ⓧ PÅ/AV-knapp

⚡ Lysbryter skifter lysets funksjon fra å tenne når døren åpnes til å være tent konstant

### Temperaturvisning

Displayet viser den aktuelle temperaturen i toppen eller bunnen av skapet. Man kan skifte visning mellom øverste og nederste sone ved å trykke kort på øverste hhv. nederste tast. Temperaturvisningen har innebygd et filter som simulerer den aktuelle temperaturen i flaskene, derfor reagerer

visningen ikke på kortvarige variasjoner i lufttemperaturen.

### Temperaturinnstilling

Temperaturene i skapet innstilles med de to knappene på den elektroniske styringen. Den øverste knappen innstiller temperaturen i toppen. Den nederste knappen innstiller temperaturen i bunnen. Avbryt barnesikringen ved å trykke knappen inn i 3 sekunder, displayet begynner å blinke og viser den aktuelle innstillingen for den valgte sonen. Dette gjelder begge tastene/sonene. Deretter begynner displayet å blinke, og verdien kan nå ruller gjennom fra 22 til 5 grader. Når ønsket verdi vises, skal styringen ikke berøres i 3 sekunder, så er verdien lagret og barnesikringen i kraft igjen.

Merk at nederste sone aldri kan innstilles varmere enn øverste sone. Derfor vil varmeste tilgjengelige verdi for nederste sone alltid være identisk med den aktuelle innstillingen i øverste sone.

### Alarm ved lav temperatur

Har temperaturen vært under 2 °C i mer enn 1 time vises Lo/aktuell temperatur vekselvis, blinkende. Frost er ødeleggende for vinens evne til å modnes.

## Flersoneinnstilling for serveringstemperering

Typisk innstilling for denne bruken er en topp/bunn innstilling på 16/6. Med denne innstillingen vil temperaturene fordele seg ned igjennom skapet, for lagring av ulike vintyper etter følgende fordeling, fra topp mot bunn:

- tunge rødviner +16 til +19 °C
- rosé og lette rødviner +12 til +16 °C
- hvitvin +10 til +12 °C
- champagne og musserende viner +6 til +8 °C

Det anbefales å servere vinene et par grader kaldere enn ønsket drikketemperatur, siden vinen blir raskt varmet opp en anelse når den skjenkes i glasset.

## Enkeltsoneninnstilling for langtidslagring

For langtidsoppbevaring av viner anbefales en topp/bunn innstilling på 12/12 °C.

Med samme innstilling i topp og bunn vil kjølesystemet skape en jevn temperatur i hele skapet.

Imidlertid vil omgivelsestemperaturen trenge langsomt inn gjennom skapets dør og sider, og forårsake en liten temperaturforskjell mellom topp og bunn. Skapet vil regulere i bunnen etter den innstilte temperaturen, og avvikelsen vil derfor være i toppen.

Forskjellen vil ligge mellom 0–3 °C, avhengig av omgivelsestemperaturen.

# Avriming, rengjøring og vedlikehold

## Automatisk avriming av kjøleskapet

Avriming av kjøleskapet foregår automatisk, smeltevannet renner gjennom et rør ned til smeltevannsskålen som sitter på toppen av kompressoren. Vannet fordamper på grunn av varmen fra kompressoren. Smeltevannsskålen bør gjøres ren engang imellom.

## Rengjøring

Slukk strømmen på PÅ/AV-knappen når skapet skal rengjøres innvendig. Skapet rengjøres best med en oppløsning av lukent vann tilsatt litt oppvaskmiddel (maks. 65 °C). Bruk ikke rengjøringsmidler som kan ripe. Bruk en myk klut. Vask med rent vann og tørr grundig av. Smeltevannsavløpet, der kondensvannet fra fordampere renner ned, sitter i bunnen av bakveggen inne i skapet. Sørg for at det er rent. Bruk et desinfeksjonsmiddel, som f.eks. Rodalon, som skal dryppes i smeltevannsavløpet et par ganger om året. Rens med en piperenser eller lignende. Bruk aldri skarpe eller spisse gjenstander. Tetningslistene omkring døren krever jevnlig rengjøring for å unngå misfarging og sikre lang levetid. Bruk rent vann. Etter rengjøring av dørens tetningslist bør du kontrollere om den fortsatt er tettsluttende. På kondensatoren, kompressoren og i kompressorrommet fjernes støvet best med en støvsuger.

## Utskifting av lysstoffrør

Slukk kjøleskapet ved å trykke på PÅ/AV-knappen. Demonter lysskjermen ved hjelp av en liten flathodet skrutrekker. Bytt PLC-røret (11 W).

Monter lampeskjermen, og sett skapet i drift igjen ved å trykke på PÅ/AV-knappen.



fig. 10

## Feilsøkingsliste

Feil	Mulig årsak	Løsning
Skapet er "dødt"!	Skapet er slukket. Strømvavbrudd; sikringen er slått ut; støpslet er ikke satt riktig i.	Trykk på PÅ/AV-knappen. Kontroller om strømmen er tilkoblet. Sikringen skal være slått på.
Det renner vann i bunnen av kjøleskapet.	Smeltevannsavløpsrøret er tett.	Rens smeltevannsavløpet og avløpshullet i bakveggen.
Vibrasjoner eller sjenerende støy.	Skapet står skjevt.  Skapet hviler mot andre kjøkkenelementer.  Beholdere eller flasker berører hverandre i skapet.	Innstill skapet med et vater.  Trek skapet vekk fra kjøkkenelementer eller apparater som står umiddelbart opp langs skapet.  Sørg for avstand mellom flasker og/eller beholdere.
Kompressoren går konstant.	Høy romtemperatur.	Sørg for god ventilasjon.
Styringen viser E1	Toppføleren er avbrutt eller kortsluttet	Tilkall servicemontør. Hele skapet styres etter varmeste innstilling inntil feilen er utbedret.
Styringen viser E2	Bunnføleren er avbrutt eller kortsluttet.	Tilkall servicemontør. Hele skapet styres etter varmeste innstilling inntil feilen er utbedret.
Styringen viser ULO	Nettspenningen er lavere enn 184 V	
Styringen viser UHI	Nettspenningen er høyere enn 255 V	



# Reklamasjon, reservedeler og service

## Vestfrost dekker ikke

Feil eller skader direkte eller indirekte oppstått ved feilbetjening, missbruk, mangelfullt vedlikehold, feilaktig innbygging, oppsetting eller tilkobling samt ved brann, ulykke, lynnedslag, spenningsvariasjoner eller andre elektriske forstyrrelser som f.eks. defekte sikringer eller feil i de elektriske installasjonene samt ved reparasjoner utført av andre enn de reparatørene som er anvist av Vestfrost, og i det hele tatt feil og skader som leverandøren kan bevise skyldes andre årsaker enn fabrikkasjons- og materialfeil, er ikke omfattet av reklamasjonsretten.

Transportskader som konstateres hos forbrukeren, er primært en sak mellom forbruker og forhandler, dvs. forhandleren må ta ansvaret for at forbrukeren tilfredsstilles.

Innen du tilkaller service, bes du kontrollere de feilmulighetene du kan rette selv (se feilsøkingslisten). Dersom ditt krav om service er uberettiget, for eksempel hvis svikten i apparatet skyldes en sprunget sikring eller feilbetjening, må du selv betale de kostnadene som er forbundet med å ha tilkaldt service.

## Reservedeler

Vennligst angi type- serie- og produktnummer når du bestiller reservedeler (se fig. 1 side 3 og fig. 11). Disse opplysningene finner du på typeskiltet inne i skapet. Typeskiltet inneholder forskjellige tekniske opplysninger og type- og serienummer.

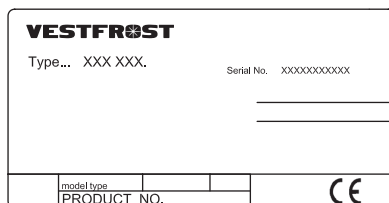


fig. 11

Husk alltid å bruke autoriserte håndverkere, hvis det er noe som må repareres eller byttes!

## Service

Vestfrost har lokale servicesentre over hele landet som er spesialister på Vestfrost. Her kan du få faste priser og profesjonell hjelp til alle reparasjoner. Finn ditt lokale servicecenter på [www.vestfrost.no](http://www.vestfrost.no).


## Kassering

Vær oppmerksom på gjeldende miljøbestemmelser. Myndighetene kan opplyse deg om hvordan innsamling og gjenvinning av slike apparater foregår i kommunen.

Dette apparatet er merket i samsvar med EU-direktiv 2002/96/EC om avhending av elektrisk og elektronisk utstyr (Waste Electrical and Electronic Equipment - WEEE).

Forsikre deg om at dette produktet blir avhendet på korrekt vis, slik at det ikke kan utgjøre noen helse- eller miljørisiko.



Symbolet  på produktet eller på dokumentene som følger med det, viser at dette produktet ikke må behandles som husholdningsavfall. Lever det til et autorisert mottak for resirkulering av elektrisk og elektronisk utstyr.

Avhending må skje iht. de lokale renovasjonsforskriftene.

For nærmere informasjon om håndtering, kassering og resirkulering av dette produktet, kontakt kommunen, renovasjonsvesenet eller forretningen der du anskaffet det.

Bedankt dat u een nieuwe wijnkoelkast van Vestfrost gekozen heeft. Wij wijzen u erop dat de gebruiksaanwijzing voor alle wijnkoelkasten in de FZ-serie geldt. De afbeeldingen en uitrusting hoeven daarom niet met uw model overeen te komen.

## Waarschuwing

Het koelmiddel dat in de kast gebruikt wordt, is een brandbaar gas (isobutaan R600a), en daarom moet u erop letten dat het circuit en de buizen tijdens het vervoer en de installatie niet beschadigd worden.

Als dit wel gebeurt, dient u vonken en open vuur te vermijden, goed door te luchten, als de stekker in het stopcontact zit, deze eruit te halen en uw leverancier te bellen.

De service mag uitsluitend door een erkende servicemonteur uitgevoerd worden.

## Oude kasten

Oude koelkasten en vriezers zijn vaak voorzien van ingewikkelde sloten die kunnen dichtslaan en dan alleen van buiten af te openen zijn. Als u een dergelijk model bezit en ter vernietiging aanbiedt, moet u ervoor zorgen dat u het slot onklaar maakt. Hierdoor voorkomt u dat spelende kinderen zich erin kunnen opsluiten.

## Voordat u begint

Voordat u uw nieuwe kast in gebruik neemt, dient u de gebruiksaanwijzing grondig door te nemen. De gebruiksaanwijzing bevat belangrijke informatie over veiligheid, installatie, werking en onderhoud. Bewaar de gebruiksaanwijzing. U kunt hem later misschien nog nodig hebben.

Controleer bij de ontvangst dat de kast niet beschadigd is. Transportbeschadigingen moeten aan de handelaar gemeld worden voordat de koelkast in gebruik genomen wordt.

Verwijder de verpakking. Maak de kast van binnen met een sopje van lauw water en een zacht afwasmiddel schoon. Met schoon water nawassen en grondig afdrogen (zie onder reiniging). Gebruik een zachte doek.

Als de kast tijdens het transport of de opslag in een koude omgeving gestaan heeft (kouder dan +5°C), moet de kast minstens een uur voor in gebruikneming rechtop staan.

## Inhoud

Uw koelkast leren kennen.....	3
Installatie en ingebruikneming.....	4
Links- of rechtsdraaiend te monteren.....	7
Aansluitspanning.....	8
Bediening en functie.....	9
Ontdooien, reinigen en onderhouden.....	11
Fouten opsporen.....	12
Reclamatie, reservedelen en service.....	13
Verschroten.....	14

# Uw koelkast leren kennen

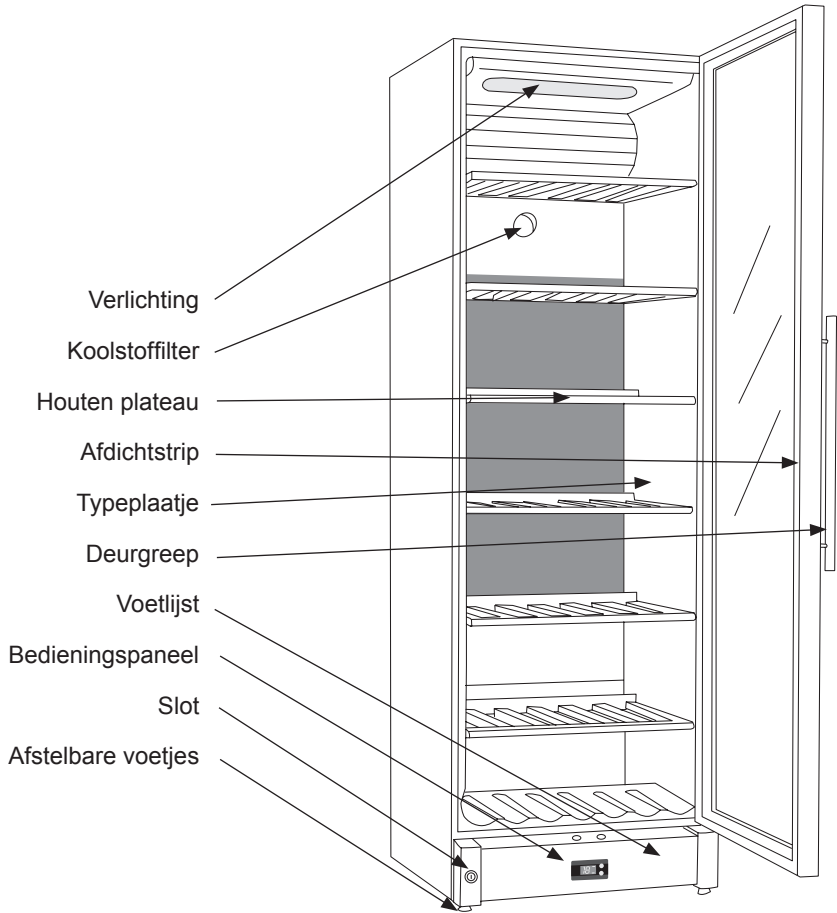


fig.1

# Installatie en ingebruikneming

## Plaatsing

De kast mag om veiligheidsredenen niet buiten geplaatst worden.

Zet de kast op een egale onderlaag in een droge en goed geventileerde ruimte (max. 75% relatieve luchtvochtigheid). Plaats de kast niet dicht bij verwarmingsbronnen als fornuizen of radiatoren, en vermijd dat hij in direct zonlicht of de warmte van een andere verwarmingsbron staat.

### Ruimtemperatuur

De temperatuurklasse staat op het typeplaatje (zie fig. 1 blz. 3 en fig. 11 blz. 13). Hiermee wordt aangegeven onder welke ruimtetemperaturen de koelkast optimaal werkt. De wijnkasten met winterstand werken echter met een ruimtetemperatuur tot minimaal 5° C.

Climate class	Optimum room temperature
SN	+10 °C tot +32 °C
N	+16 °C tot +32 °C
ST	+18 °C tot +38 °C
T	+18 °C tot +43 °C

## Installatie

De onderlaag waarop de kast geplaatst wordt, moet waterpas zijn. Gebruik geen frame of dergelijke.

De kast is vrij tegen de wand aan te plaatsen, in een keukenelement aan te brengen of naast andere kasten te plaatsen (fig. 2-3).

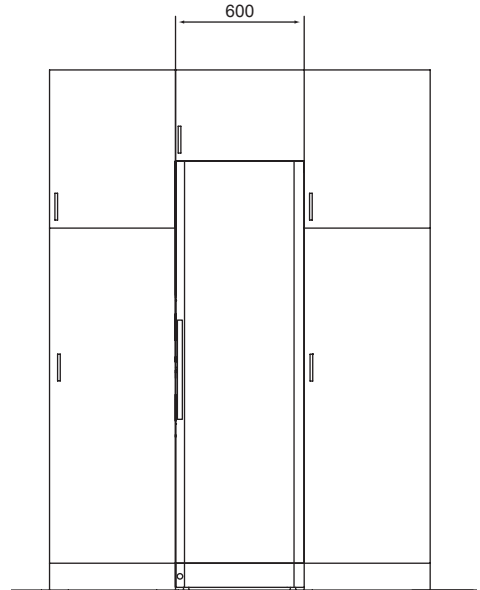


fig. 2

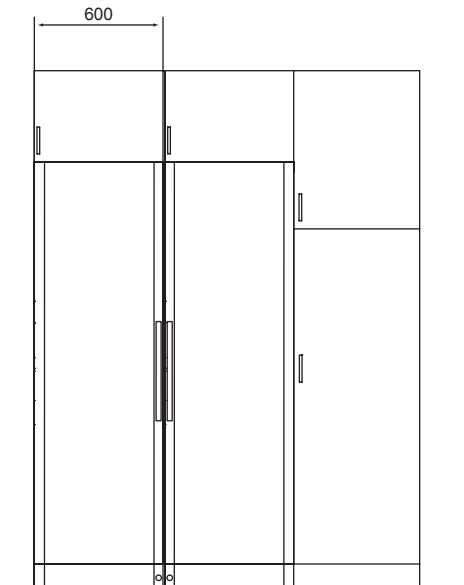


fig. 3

## Bovenaanzicht

Zorg dat er voldoende ruimte is om de deur te openen en de schappen uit te trekken als de kast naast een wand geplaatst wordt (fig. 4).

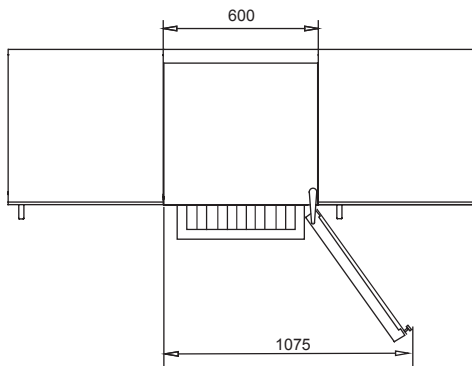


fig. 4

## Ventilatie

Het is belangrijk dat de kast voldoende ventilatie heeft en dat er boven, onder en rondom de kast een vrije luchtcirculatie is. De afbeeldingen hieronder laten zien hoe de vereiste circulatie rondom de kast bereikt wordt (fig. 5-6).

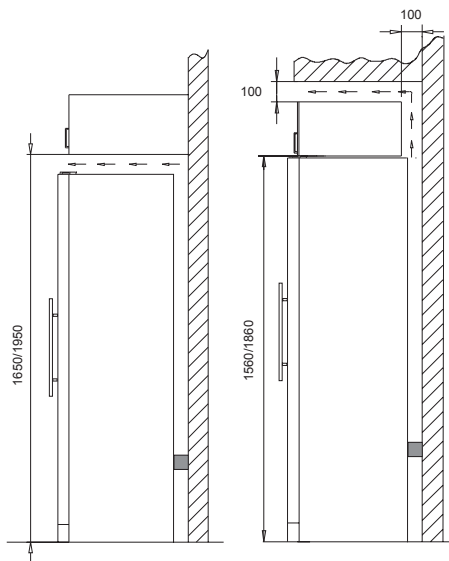
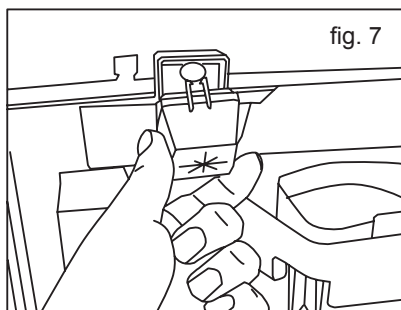


fig. 5

fig. 6

De afstandsstukken op de achterzijde van de kast zorgen voor de vereiste luchtcirculatie. Monteer de twee afdekkingen die bij de kast geleverd zijn (zie fig. 7.)



# Opzetten

Het is belangrijk dat de kast recht staat. U kunt de kast afstellen door de verstelbare poten aan de voorzijde op of neer te draaien (zie fig 8).

Controleer met een waterpas dat de kast zijdelings recht staat.

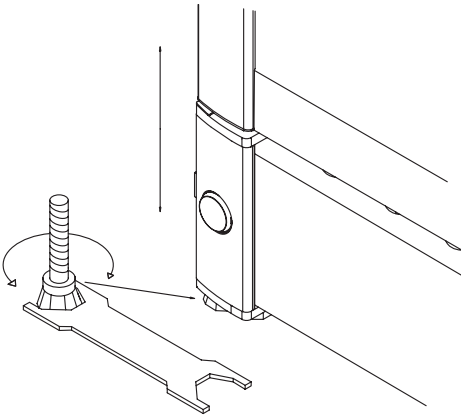
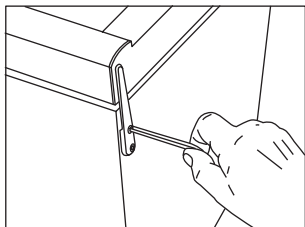


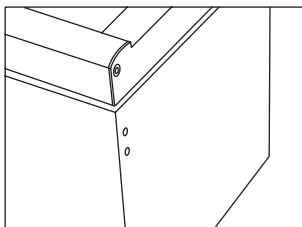
fig. 8

# Links- of rechtsdraaiend te monteren

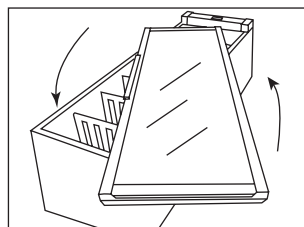
De deuren kunnen als volgt van rechts- naar linksdraaiend gemonteerd worden:



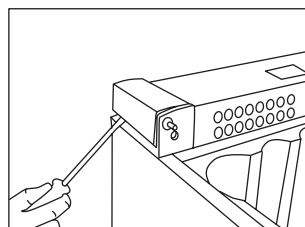
1. Leg de kast neer en maak het bovenste scharnier los.



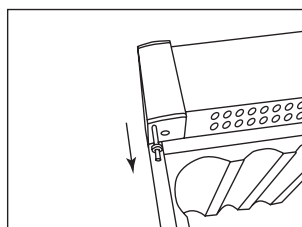
2. Demonteer het bovenste scharnier.



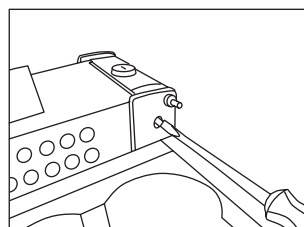
3. Keer de glazen deur ondersteboven (verplaats de handgreep op FZ 295 W, dat aan de binnenzijde onder de afdichtstrip los te maken is).



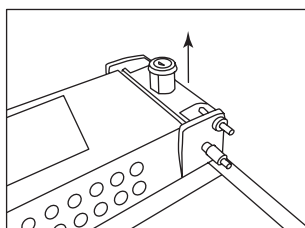
4. Demonteer de afdekkingen aan de voetstukzijden voorzichtig met een platte schroevendraaier.



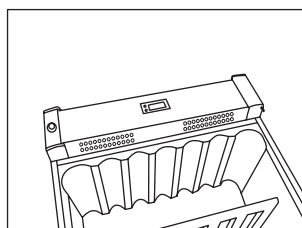
5. Trek de scharnertap omhoog...  
... en monteer hem in de tegengestelde zijde.



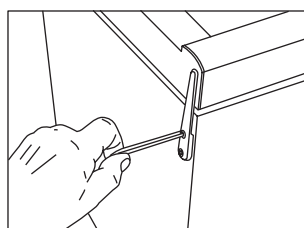
6. Schroef de borgpen vrij met een platte schroevendraaier.



7. Trek de borgpen, nadat deze samen met de borgcilinder is losgeschroefd, omhoog en demonteer hem aan de tegengestelde zijde.



8. Klik de afdekkingen aan de voetstukzijden op de tegengestelde zijde.



9. Monteer de deur over de bodempen, monteer het topscharnier en schroef deze goed vast.

10. Controleer nadat de scharnieren verplaatst zijn, of de afdichtstrip overal dicht afsluit. Als dit niet het geval is, kunt u de afdichtstrip met een haardroger heel voorzichtig over de hele lengte verwarmen, en daarna de strip iets naar buiten helpen zodat hij weer dicht afsluit. Pas op dat de afdichtstrip niet te warm wordt en smelt!



# Aansluitspanning

De koelkast is gemaakt voor aansluiting op het wisselstroomnet. De aansluitwaarden voor spanning (V) en frequentie (Hz) staan op het typeplaatje in de kast aangegeven. De kast moet op een eigen stopcontact aangesloten worden.

**Vervang de netkabel als deze beschadigd is door een overeenkomstig type dat de fabrikant of zijn servicemonteur levert.**

## Technische gegevens

Deze kast is in overeenstemming met de bepalingen, richtlijnen en normen voor het CE-merk.

Richtlijn laagspanning 73/23/EEG  
EMC richtlijn 89/336/EEG.

## Bediening en functie

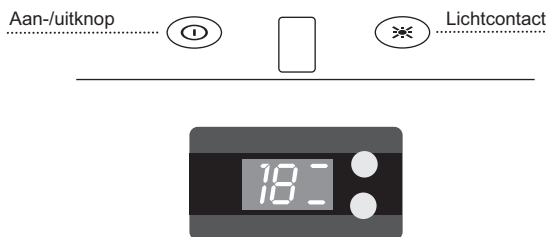


fig. 9

### Elektronische regeling

De elektronische regeling zorgt ervoor dat de kast de ingestelde temperatuur boven- en onderin aanhoudt. Dit wordt bereikt door een geavanceerde regeling van het koelsysteem, het verwarmingslichaam en de ventilator.

Bij een eventuele stroomstoring blijft de ingestelde temperatuur opgeslagen.

De elektronische regeling heeft de volgende functies:

- Temperatuurstelling
- Temperatuur aanduiding
- Automatisch ontdooien
- Fouten opsporen, nood- en serviceprogramma's
- Alarm bij lage temperatuur

① Aan-/uitknop

⌘ Het lichtcontact verandert de lichtfunctie van licht aanzetten bij het openen van de deur tot constant branden.

### Temperatuur aflezen

Het display toont de actuele temperatuur boven- of onderin de kast. Er is te wisselen tussen het tonen van de bovenste en de onderste zone door kort op de bovenste resp. onderste toets te drukken. De temperatuur

aanduiding heeft een ingebouwd filter dat de actuele temperatuur in de flessen simuleert; daarom reageert de aanduiding ook niet op kortstondige variaties in de luchttemperatuur.

### Temperatuur instellen

De temperatuur is met de twee knoppen op de elektronische regeling in te stellen. De bovenste knop stelt de temperatuur bovenin in. De onderste knop stelt onderin in. Onderbreek de kindbeveiliging door de knop 3 seconden ingedrukt te houden. Het display gaat knipperen en toont het actuele setpunt voor de gekozen zone. Dit geldt voor beide toetsen/zones. Daarna gaat het display knipperen, en dan kunt u door de waarden van 22 tot 5 graden lopen. Laat de regeling los wanneer de gewenste waarde getoond wordt. Na 3 seconden wordt de waarde opgeslagen en de kindbeveiliging weer ingeschakeld.

NB: De onderste zone is nooit warmer in te stellen dan de bovenste zone. Daarom zal de warmste waarde voor de onderste zone altijd identiek zijn aan de actuele instelling in de bovenste zone.

### Alarm bij lage temperatuur

Als de temperatuur langer dan 1 uur onder

2°C heeft gelegen, zal Lo/actuele temperatuur afwisselend en knipperend getoond worden. Vorst is noodlottig voor het vermogen van wijn om te rijpen.

## **Instelling van meerdere zones voor het tempereren om te serveren**

De typische instelling hiervoor is een top-/bodeminstelling van 16/6. Met deze instelling zullen de temperaturen zich naar beneden toe verdelen voor het bewaren van verschillende typen wijn volgens de volgende verdeling van top naar bodem:

- zware rode wijnen +16 tot +19 °C
- rosé en lichte rode wijnen +12 tot +16 °C
- witte wijnen +10 tot +12 °C
- champagne en mousserende wijnen +6 tot +8 °C

Aangeraden wordt om de wijn een paar graden kouder te serveren dan de gewenste drinktemperatuur omdat de wijn na het inschenken snel wat warmer wordt.

## **Instelling van een zone voor langdurige opslag.**

Voor een langdurige opslag van wijnen wordt een top-/bodeminstelling van 12/12 °C aanbevolen.

Met dezelfde instelling in top en bodem zal het koelsysteem voor een gelijkmatige temperatuur in heel de kast zorgen.

De omgevingstemperatuur zal echter langzaam naar binnen dringen via de deur en zijkanten van de kast en voor een klein temperatuurverschil tussen top en bodem zorgen. De kast zal de ingestelde temperatuur onderin regelen waardoor de afwijking bovenin zal plaatsvinden.

Het verschil zal afhankelijk van de omgevingstemperatuur tussen 0–3 °C liggen.

## Ontdooien, reinigen en onderhouden

### De koelkast automatisch ontdooien

De koelkast ontdooit automatisch; het smeltwater loopt door een buis naar het smeltwaterbakje dat bovenop de compressor zit. Het water verdampt door de warmte van de compressor. Het smeltwaterbakje moet zo nu en dan gereinigd worden.

### Reinigen

Schakel de stroom uit op de aan-/uitknop als u de kast van binnen gaat reinigen. U kunt de kast het beste reinigen met een sopje van water en wat afwasmiddel (max. 65 °C). Gebruik geen schurende reinigingsmiddelen. Gebruik een zachte doek. Met schoon water nawassen en grondig afdrogen. De dooiwaterafvoer waarin het condenswater van de verdamper terecht komt, zit onderaan op de achterwand in de kast. Zorg ervoor dat deze schoon is. Druppel een paar keer per jaar desinfecteermiddel, bv. rodalon, in de dooiwaterafvoer. Maak hem met een pijpenwroeter of dergelijke schoon. Gebruik nooit scherpe of puntige voorwerpen. Maak de afdichtstrip rondom de deur regelmatig schoon om verkleuren te voorkomen en een lange levensduur te waarborgen. Gebruik schoon water. Controleer nadat u de strip schoongemaakt heeft, of de deur nog dicht sluit. Op de condensor, de compressor en in de compressorruimte is stof het beste met een stofzuiger te verwijderen.

### De lichtbuis vervangen

Schakel de koelkast uit door op de aan-/uitknop te drukken. Demonteer het beschermkapje met een kleine platte schroevendraaier. Vervang de PLC-buis (11 W).

Monteer het beschermkapje, schakel de stroom weer in en start de kast opnieuw door op de aan-/uitknop te drukken.



fig. 10

## Fouten opsporen

Fout	Mogelijke oorzaak	Verhelpen
De kast doet het niet.	De kast staat uit.  Stroomstoring; de zekering is doorgeslagen; de stekker zit niet goed in het stopcontact.	Druk op de aan-/uitknop.  Controleer of de stroom is ingeschakeld. De zekering moet aan staan.
Er loopt water onderin de koelkast.	De dooiwaterafvoer is verstopt.	Reinig de dooiwaterafvoer en het afvoergat op de achterzijde.
Trillingen of irritant lawaai.	De kast staat scheef. De kast leunt tegen andere keukenelementen aan.  Houder of flessen komen met elkaar in aanraking in de kast.	Zet de kast waterpas. Schuif de kast weg van de keukenelementen of kasten die tegen de kast aanleunen.  Zorg voor tussenruimte tussen flessen en/of houders.
De compressor werkt onafgebroken.	Hoge ruimtetemperatuur.	Zorg voor een goede ventilatie.
De regeling toont E1	De topvoeler is onderbroken of kortgesloten.	Haal de servicemonteur erbij. Heel de kast werkt op het warmste setpunt totdat de fout verholpen is.
De regeling toont E2	De bodemvoeler is onderbroken of kortgesloten.	Haal de servicemonteur erbij. Heel de kast werkt op het warmste setpunt totdat de fout verholpen is.
De regeling toont ULO	De netspanning is lager dan 184 V.	
De regeling toont UHI	De netspanning is hoger dan 255 V.	

# Reclamatie, reservedelen en service

## Vestfrost dekt geen

Fouten of schaden die direct of indirect ontstaan zijn door foutieve bediening, misbruik, gebrekking onderhoud, foutieve inbouw, opstelling of aansluiting of door brand, ongelukken, blikseminslag, spanningsvariaties of andere elektrische storingen zoals defecte zekeringen of fouten in elektrische installaties van het voedingsnet of door reparaties die door andere dan door Vestfrost aangewezen servicemonteurs zijn uitgevoerd, en überhaupt worden fouten en beschadigingen die de leverancier kan vergoeden en die te wijten zijn aan andere oorzaken dan fabricage- en materialenfouten niet door het reclamatierecht gedekt.

Transportschaden die bij de gebruiker geconstateerd zijn, zijn in beginsel een zaak tussen de gebruiker en de handelaar, d.w.z. dat de handelaar ervoor moet zorgen dat de gebruiker tevredengesteld wordt.

U wordt verzocht om voordat u de servicemonteur erbij haalt, de mogelijke fouten die u zelf kunt verhelpen te controleren (zie onder fouten opsporen). Indien u de servicemonteur ongegrond erbij haalt om een fout te verhelpen, bv. als het niet functioneren van de kast te wijten is aan een gesprongen zekering of foutieve bediening, moet u zelf de kosten voor de ingeroepen hulp betalen.

## Reservedelen

Vermeld a.u.b. het type-, serie- en productienummer wanneer u reservedelen bestelt (zie fig. 1 blz. 3 en fig. 11).

Deze gegevens vindt u op het typeplaatje in de kast. Het typeplaatje bevat verschillende technische gegevens en het type- en serienummer.

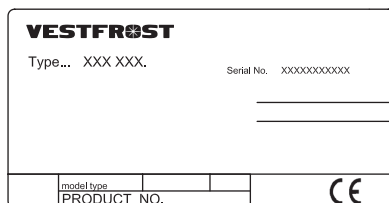


fig. 11

**Zorg ervoor** altijd erkende servicemonteurs te gebruiken als iets gerepareerd of vervangen moet worden!

## Service

Vestfrost heeft in heel het land plaatselijke servicecentra die Vestfrost-specialisten zijn. Hier kunt u vaste prijzen en professionele hulp krijgen bij alle reparaties. Vind uw lokale servicecenter op [www.vestfrost.dk](http://www.vestfrost.dk).

# Verschroten

Neem de geldende milieubepalingen in acht. De gemeentelijke technische dienst kan u vertellen hoe het ophalen/afleveren en hergebruik van dergelijke kasten in uw gemeente gebeurt.

Dit apparaat is voorzien van het merkteken volgens de Europese richtlijn 2002/96/EG inzake Afdankte elektrische en elektronische apparaten (AEEA).

Door ervoor te zorgen dat dit product op de juiste manier als afval wordt verwerkt, helpt u mogelijk negatieve consequenties voor het milieu en de menselijke gezondheid te voorkomen die anders zouden kunnen worden veroorzaakt door onjuiste verwerking van dit product als afval.



Het symbool  op het product of op de bijbehorende documentatie geeft aan dat dit product niet als huishoudelijk afval mag worden behandeld. In plaats daarvan moet het worden afgegeven bij een verzamelpunt voor recycling van elektrische en elektronische apparaten.

Afdanking moet worden uitgevoerd in overeenstemming met de plaatselijke milieuvoorschriften voor afvalverwerking.

Voor nadere informatie over de behandeling, terugwinning en recycling van dit product wordt u verzocht contact op te nemen met het stadskantoor in uw woonplaats, uw afvalophaaldienst of de winkel waar u het product heeft aangeschaft.

Muchas gracias por comprar su nuevo armario bodega de la marca Vestfrost. Recuerde que estas instrucciones se aplican a todos los armarios bodega de la línea FZ. Por lo tanto, las ilustraciones y equipo quizá no correspondan exactamente a su modelo.

## Advertencia

Dado que el refrigerante que se utiliza en este electrodoméstico es un gas inflamable (Isobutano R600a), es necesario tener especial cuidado para prevenir daños a la tubería y al circuito durante el transporte y la instalación.

Si ocurren daños, evite chispas o la presencia de llamas en las cercanías del electrodoméstico, cerciéndose de que la habitación esté bien ventilada, desconecte la fuente de alimentación eléctrica, y comuníquese con su proveedor.

Sólo deberán efectuar reparaciones de la unidad los técnicos calificados de un centro de servicio autorizado.

## Electrodomésticos caducados

Los refrigeradores y congeladores caducados a menudo vienen equipados con cerrojos complicados que únicamente pueden abrirse desde el exterior. Si tiene una de estas unidades almacenada en algún lugar, o si desecha alguna, no se olvide de destruir primero el cerrojo. De esta forma impedirá que los niños queden atrapados en el interior y que su vida corra peligro.

## Antes del empleo

Antes de poner en marcha su electrodoméstico, deberá leer atentamente las instrucciones de uso. Las instrucciones de uso contienen datos importantes sobre la seguridad, instalación, funcionamiento y mantenimiento. Guarde las instrucciones de uso. Pueden resultarle necesarias más adelante.

Al recibir el aparato, inspecciónelo para cerciorarse de que no se haya dañado durante

el transporte. Le recomendamos informar al proveedor local sobre los daños ocurridos durante el transporte antes de poner en funcionamiento el refrigerador.

Retire el material de embalaje. Limpie el interior del aparato con agua tibia y un detergente suave. Enjuague con agua limpia y seque completamente (véanse las instrucciones de limpieza). Utilice un paño blando. Si durante el transporte se coloca horizontalmente la unidad, o se almacena en entornos fríos (a temperaturas menores de +5°C), será necesario permitir la estabilización de la unidad durante un mínimo de una hora antes de volverla a encender.

## Índice

Conozca su armario bodega.....	3
Instalación y puesta en marcha inicial.....	4
Puerta invertible.....	7
Conexión eléctrica.....	8
Operación y funcionamiento.....	9
Descongelación, limpieza y mantenimiento.....	11
Lista de localización de fallos.....	12
Garantía, repuestos y servicio.....	13
Eliminación del aparato.....	14



## Conozca su armario bodega

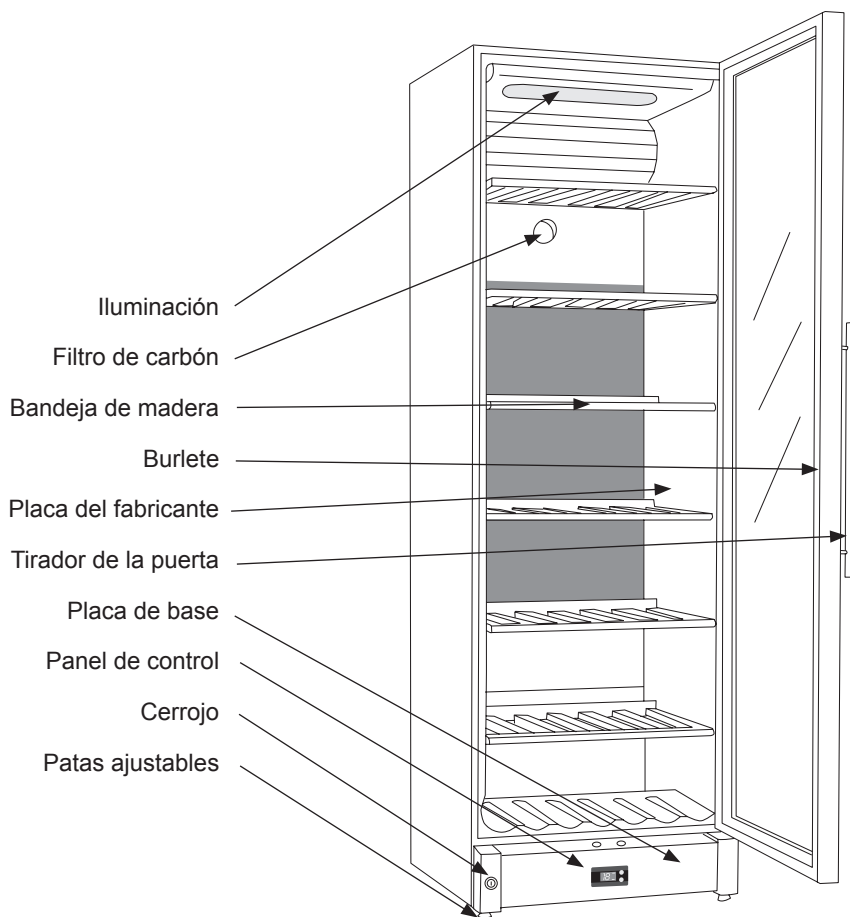


Figura 1

# Instalación y puesta en marcha inicial

## Ubicación

Por motivos de seguridad y funcionamiento, no se debe instalar el aparato en exteriores.

Se recomienda colocar el aparato sobre una superficie plana en una habitación seca, y bien ventilada (con un 75% máx. de humedad relativa del aire). Nunca lo coloque cerca de fuentes de calor tales como estufas o radiadores, y evite colocarlo bajo la luz solar directa.

## Temperatura ambiente

La clase de clima se indica en la placa del fabricante (véase la fig. 1, página 3 y la fig. 11, página 13). Este cuadro especifica las temperaturas ambiente óptimas. No obstante, los armarios bodega en posición de invierno funcionan a una temperatura ambiente de, como mínimo, 5°.

Clase de clima	Temperatura ambiente óptima
SN	+10 °C a +32 °C
N	+16 °C a +32 °C
ST	+18 °C a +38 °C
T	+18 °C a +43 °C

## Instalación

La superficie sobre la cual se coloque el electrodoméstico debe estar nivelada. No use tarimas o similares.

Se puede instalar el aparato como unidad autónoma junto a la pared, integrado en un elemento de la cocina, o alineado con otros electrodomésticos (figs. 2 y 3).

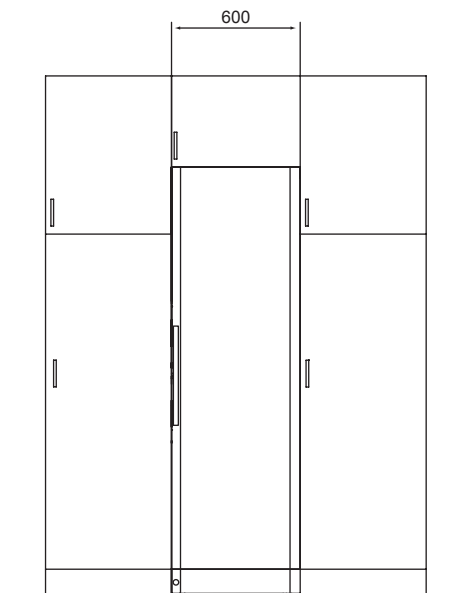


Figura 2

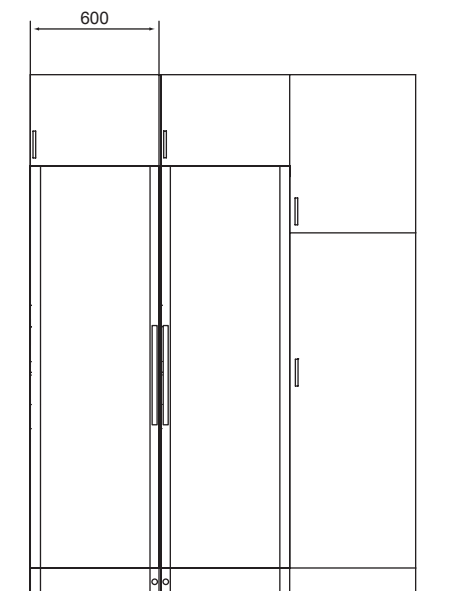


Figura 3

## Vista superior del electrodoméstico

Si el armario se coloca junto a la pared, debe haber espacio suficiente para abrir la puerta de forma que permita la extracción de las bandejas (fig. 4).

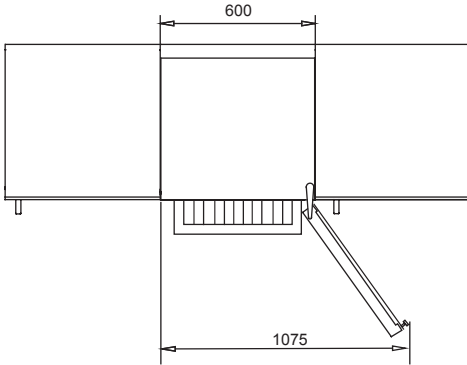


Figura 4

## Ventilación

Es importante que el electrodoméstico esté bien ventilado y que el aire pueda circular sin obstáculos por arriba, debajo y alrededor del mismo.

Las figuras a continuación ilustran cómo se puede asegurar la circulación necesaria de aire alrededor del aparato (figs. 5 y 6).

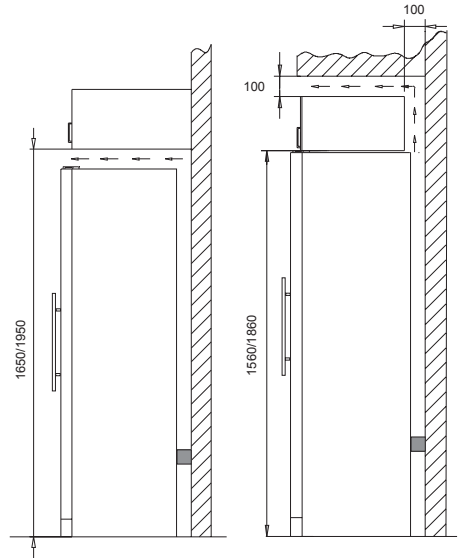
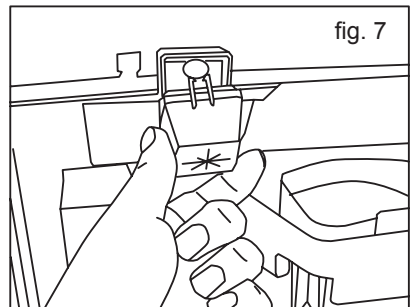


Figura 5

Figura 6

Las piezas de separación en la parte posterior del armario bodega aseguran la circulación de aire necesaria. Montar las dos cubiertas suministradas junto al armario (véase la fig. 7)



## Instalación

Es sumamente importante que el electrodoméstico esté completamente nivelado. Es posible nivelar el armario haciendo girar las patas frontales ajustables hacia arriba o hacia abajo (véanse las figs. 8).

Utilice un nivel de agua para verificar que el aparato esté nivelado lateralmente.

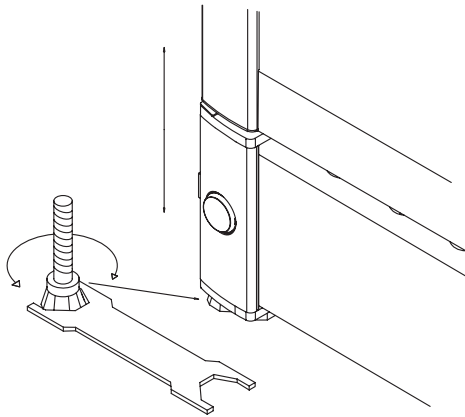
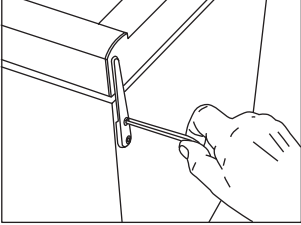


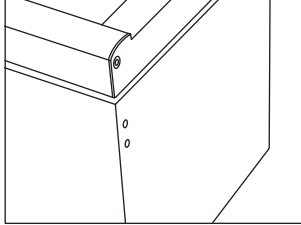
Figura 8

# Puerta invertible

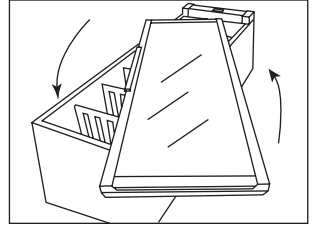
Se puede cambiar la colocación de la puerta de bisagras a la derecha a bisagras a la izquierda y viceversa de la manera siguiente:



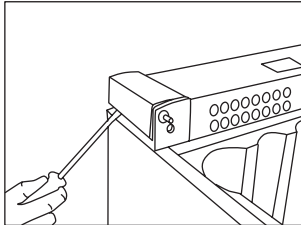
1. Coloque el armario en el suelo y afloje la bisagra superior.



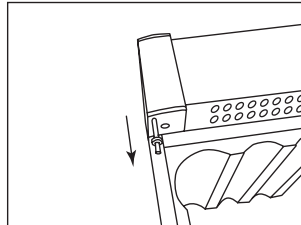
2. Retire la bisagra superior.



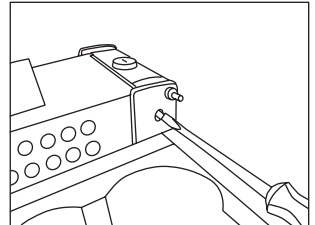
3. Haga girar la puerta de vidrio (En el modelo FZ 295 W se tira del tirador, que se afloja por dentro debajo del burlete).



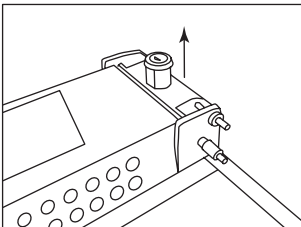
4. Se desmontan con cuidado las cubiertas a los lados del zócalo con un destornillador de punta plana.



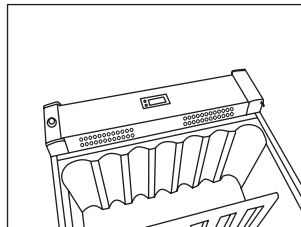
5. Se extrae la clavija de bisagra ...  
... y se monta en el lado opuesto.



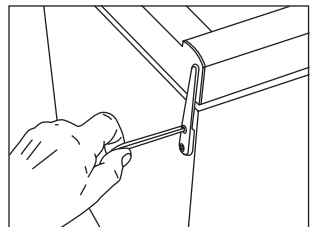
6. La clavija de cierre se desatornilla con un destornillador de punta plana.



7. Cuando la clavija de cierre está desatornillada ésta se extrae junto con el cilindro de cierre, y se monta de nuevo en el lado opuesto.



8. Las cubiertas a los lados del zócalo se ajustan en el lado contrario.



9. Se monta la puerta sobre la clavija inferior y se monta y atornilla firmemente la bisagra superior.

10. Tras el cambio de bisagras hay que comprobar que el burlete cierre herméticamente en todo el perímetro. Si no lo hace, con un secador puede calentarse con sumo cuidado el burlete en todo su perímetro. Y luego levantar un poco el burlete hacia fuera, de forma que se adhiera herméticamente al armario. ¡Cuide de que el burlete no se caliente hasta derretirse!

## Conexión eléctrica

El electrodoméstico está diseñado para funcionar con corriente alterna. El voltaje (V) necesario y la frecuencia (Hz) se indican en la placa del fabricante en el interior. Se debe conectar la alimentación eléctrica a través de un enchufe mural independiente.

**Si se daña el conductor principal, será necesario reemplazarlo con un tipo de conductor equivalente suministrado por el fabricante o por un centro de servicio autorizado.**

### Datos técnicos

Este electrodoméstico cumple con las normativas, directivas y estándares de la marca CE.

Directiva de Bajo Voltaje 73/23/CEE

Directiva EMC 89/336/CEE.

# Operación y funcionamiento

Botón de encendido/apagado



Interruptor de luz



Figura 9

## Controles electrónicos

Los controles electrónicos se encargan de que el armario mantenga la temperatura establecida en la parte superior e inferior. Esto se consigue mediante un control avanzado del sistema de refrigeración, elemento térmico y ventilador.

Después de una posible interrupción del suministro eléctrico, se mantiene grabada la temperatura establecida.

Los controles electrónicos tienen las funciones siguientes:

- Ajuste de la temperatura
- Indicación de temperatura
- Descongelación automática
- Localización de fallos, programas de emergencia y servicio
- Alarma de temperatura baja

Ⓛ Botón de encendido/apagado

⚡ El interruptor de luz cambia la función de la luz, desde el encendido al abrir la puerta, al encendido constante

## Lectura de la temperatura

El indicador muestra la temperatura real en la parte superior o inferior del armario. Puede cambiarse la lectura entre la parte superior y la inferior presionando

brevemente la tecla superior o inferior respectivamente. La lectura de temperatura lleva incorporado un filtro que simula la temperatura real en las botellas, por eso dicha lectura no reacciona ante fluctuaciones pasajeras de la temperatura del aire.

## Ajuste de la temperatura

Las temperaturas del armario se ajustan mediante los dos botones de los controles electrónicos. El botón superior ajusta la temperatura de la parte superior. El botón inferior ajusta la de la parte inferior. Desconecte el seguro para niños presionando el botón durante 3 segundos, el indicador empezará a parpadear y mostrará el punto real establecido para la zona elegida. Esto se aplica a ambas teclas/zonas. A continuación el indicador empieza a parpadear y puede hacerse girar el valor de 22 a 5 grados. Cuando se muestre el valor deseado no se tocarán los controles durante 3 segundos, tras lo cual el valor se guardará y entrará en función de nuevo el seguro para niños.

Tenga en cuenta que nunca podrá ajustar la zona inferior a una temperatura superior a la de la zona superior. Por ello el valor accesible de más calor para la zona inferior

siempre será idéntico al valor establecido en la práctica para la zona superior.

### **Alarma de temperatura baja**

Si la temperatura ha sido inferior a 2° C durante más de 1 hora, se mostrará alternativamente Lo/la temperatura real parpadeando. La escarcha destruye la capacidad de maduración del vino.

### **Ajuste multi-zonal para tem- perar antes de servir**

El ajuste típico para este fin es de 16/6 para las partes superior/inferior. Con este ajuste las temperaturas se distribuirán por el armario para conservar distintos tipos de vinos según la distribución siguiente, desde arriba hacia abajo:

- vinos tintos fuertes +16 a +19° C
- Rosados y tintos ligeros +12 a +16° C
- blancos +10 a +12° C
- champán y vinos espumantes +6 a +8° C

Se recomienda servir los vinos un par de grados por debajo de la temperatura deseada al beberlos, puesto que al verterse en el vaso siempre se calientan ligeramente.

### **Ajuste mono-zonal para con- servación de larga duración**

Para conservar el vino durante un tiempo prolongado, se recomienda un ajuste de las zonas superior/inferior de 12/12° C.

Con los mismos grados en las partes superior e inferior, el sistema de refrigeración creará una temperatura uniforme en todo el armario.

No obstante, la temperatura ambiente penetrará lentamente por la puerta y lados del armario, causando una pequeña diferencia de temperatura entre la parte superior y la inferior. El armario ajustará la parte inferior

a la temperatura establecida, y por tanto la divergencia estará en la parte superior. La diferencia oscilará entre 0–3° C, dependiendo de la temperatura ambiente.



# Descongelación, limpieza y mantenimiento

## Descongelación automática del armario

El armario se descongela automáticamente. El agua de descongelación pasa por un tubo y se recoge en una bandeja situada sobre el compresor. El calor generado por el compresor hace que el agua se evapore. Se recomienda limpiar periódicamente la bandeja colectora.

## Limpieza

Apague el electrodoméstico con el botón de encendido/apagado antes de limpiar el interior. El aparato se limpia mejor con una solución de agua tibia (a un máximo de 65° C) y un detergente suave. Nunca use agentes de limpieza abrasivos. Utilice un paño blando. Enjuague con agua limpia y séquelo completamente. El canal de agua de descongelación, donde baja el agua condensada del evaporador, está en la parte inferior de la pared trasera dentro del armario. Manténgalo limpio. Use un desinfectante, p. ej., Rodalon, del que añadirá unas gotas al desagüe de agua de condensación un par de veces al año. Limpie con un limpiador de tubería o instrumento similar. Nunca use instrumentos afilados o puntiagudos. Es necesario limpiar regularmente el burlete de la puerta para prevenir la decoloración y para prolongar la vida útil de servicio. Use agua limpia. Después de limpiar el burlete, verifique que continúe proporcionando un sello hermético. El polvo acumulado en el condensador posterior, el compresor y el compartimento del compresor se elimina más fácilmente con una aspiradora.

## Reemplazo del tubo fluorescente

Presione el botón de encendido/apagado para apagar el aparato. Con ayuda de un destornillador plano retire la cubierta del tubo. Reemplace el tubo PLC (11 W). Vuelva a colocar la cubierta, y presione el botón de encendido/apagado para encender el armario.

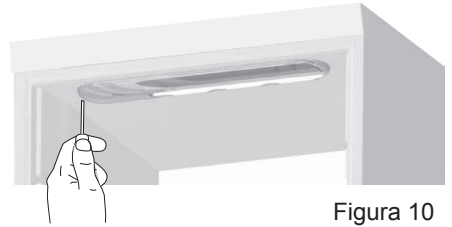


Figura 10

## Lista de localización de fallos

Fallo	Causa posible	Solución
¡El armario está “muerto”!	El electrodoméstico está apagado. Interrupción de alimentación eléctrica; el fusible está fundido; el electrodoméstico no está enchufado correctamente.	Presione el botón de encendido/apagado. Verifique que esté conectada la alimentación eléctrica. Restablezca el fusible.
El agua se recolecta en la parte inferior del armario.	Está bloqueado el tubo de agua de descongelación.	Limpie el canal de agua de descongelación y el orificio de desagüe en la pared trasera.
Vibración o ruidos molestos.	El electrodoméstico no está nivelado.  El electrodoméstico está apoyado contra otros elementos de la cocina.  Los envases o frascos en el interior se golpean entre sí.	Nivele el electrodoméstico con ayuda de un nivel de agua.  Separe el electrodoméstico de los elementos de cocina o de otros aparatos que estén en contacto.  Separe los envases y los frascos.
El compresor funciona continuamente.	La temperatura ambiente es elevada.	Cerciórese de ventilar adecuadamente la habitación.
El control muestra E1	El sensor superior está desconectado o cortocircuitado	Si esto ocurre, llame para obtener servicio. Todo el armario funciona según el valor calórico más elevado hasta que se corrija el fallo.
El control muestra E2	El sensor inferior está desconectado o cortocircuitado.	Si esto ocurre, llame para obtener servicio. Todo el armario funciona según el valor calórico más elevado hasta que se corrija el fallo.
El control muestra ULO	El voltaje de la red es inferior a 184 V	
El control muestra UHI	El voltaje de la red es superior a 255 V	

# Garantía, repuestos y servicio

## Exclusiones de la Garantía

No tienen cobertura de la Garantía los fallos y daños causados directa o indirectamente por el uso erróneo o indebido, mantenimiento insuficiente, conexiones eléctricas defectuosas, integración o instalación erróneas, incendio, accidente, rayos, variaciones de voltaje u otras interferencias eléctricas, incluidos fusibles defectuosos o fallos en las instalaciones de suministro eléctrico, reparaciones realizadas por otros centros de servicio no autorizados por Vestfrost, o aquellos fallos y daños que el fabricante acredite que se deben a causas distintas a defectos de fabricación o de materiales.

Los daños ocurridos durante el transporte y descubiertos por el comprador son principalmente un asunto a resolver entre el comprador y el distribuidor, es decir, que el distribuidor debe asegurarse de que se resuelvan las quejas del comprador.

Antes de llamar para obtener asistencia técnica, le sugerimos que intente resolver el fallo por sí mismo (consulte la lista de localización de fallos). Si su solicitud de asistencia técnica es injustificada, por ejemplo, si el electrodoméstico ha fallado como resultado de un fusible fundido o por un uso erróneo, deberá abonar los costes incurridos con su llamada de solicitud de asistencia técnica.

## Repuestos

Por favor indique el tipo de producto y número de serie, así como el de producción al hacer pedidos de repuestos (véase la fig. 1, página 3 y la fig. 11).

Esta información se incluye en la placa del fabricante en el interior del aparato. La placa del fabricante contiene diversa

información técnica, incluido el tipo de aparato y el número de serie.

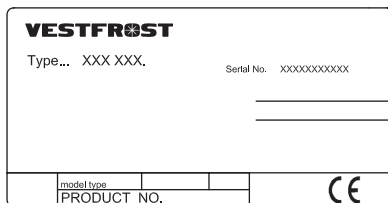


Figura 11

**Aviso:** ¡Siempre use los centros autorizados de servicio cuando su electrodoméstico necesite reparaciones o repuestos!

## Servicio

Vestfrost cuenta con centros de servicio en todo el país especializados en productos Vestfrost. En estos centros puede obtener precios fijos y ayuda profesional para todas las reparaciones. Obtenga información sobre los centros de servicio situados en su localidad en [www.vestfrost.dk](http://www.vestfrost.dk).

## Eliminación del aparato


Además, al desechar el electrodoméstico es imperativo cumplir las normativas de protección del medio ambiente.

Para desechar el electrodoméstico le recomendamos comunicarse con el departamento técnico de la autoridad pertinente en su localidad, donde le informarán sobre cómo se realizan la recolección y el reciclaje de dichas unidades en su región.

Este aparato lleva el marcado CE en conformidad con la Directiva 2002/96/EC del Parlamento Europeo y del Consejo sobre residuos de aparatos eléctricos y electrónicos (RAEE).

La correcta eliminación de este producto evita consecuencias negativas para el medioambiente y la salud.



El símbolo  en el producto o en los documentos que se incluyen con el producto, indica que no se puede tratar como residuo doméstico. Es necesario entregarlo en un punto de recogida para reciclar aparatos eléctricos y electrónicos. Deséchelo con arreglo a las normas medioambientales para eliminación de residuos.

Para obtener información más detallada sobre el tratamiento, recuperación y reciclaje de este producto, póngase en contacto con el ayuntamiento, con el servicio de eliminación de residuos urbanos o la tienda donde adquirió el producto.

Děkujeme vám, že jste si zakoupili novou chladicí skříň na víno od firmy Vestfrost. Tento návod k použití lze aplikovat pro všechny chladicí skříně na víno řady FZ. Vyobrazení a vybavení nemusí však zcela přesně odpovídat zakoupenému typu.

## Upozornění

Jako chladicí médium je v tomto spotřebiči použit hořlavý plyn (isobutan R600a). Během přepravy a instalace je třeba dbát zejména na to, aby nedošlo k poškození chladicího okruhu.

Pokud dojde k poruše, zabraňte jiskření nebo výskytu otevřeného plamene v blízkosti spotřebiče, zajistěte dobré větrání místnosti, vypněte spotřebič ze zásuvky a obraťte se na svého dodavatele.

Opravu zařízení musí provádět pouze kvalifikovaný odborník z autorizovaného střediska servisu.

## Vysloužilé spotřebiče

Vysloužilé chladničky a mrazničky bývají často vybaveny složitými západkami, které lze otevřít pouze zvenku. Pokud máte takový model nebo ho chcete dát do odpadu, nezapomeňte nejdříve odstranit západku. Zabráníte tomu, že se děti při hraní uvnitř uzavřou a tím se vystaví nebezpečí.

## Před použitím

Před prvním uvedením vašeho nového spotřebiče do provozu si prosím pozorně přečtěte následující instrukce, neboť obsahují důležité informace o jeho bezpečné instalaci, provozu a údržbě. Ušchovejte tyto instrukce pro budoucí použití.

Při převzetí zkontrolujte a ujistěte se, zda chladnička nebyla během přepravy poškozena. Poškození vzniklé během přepravy je třeba před uvedením do provozu oznámit místnímu dodavateli.

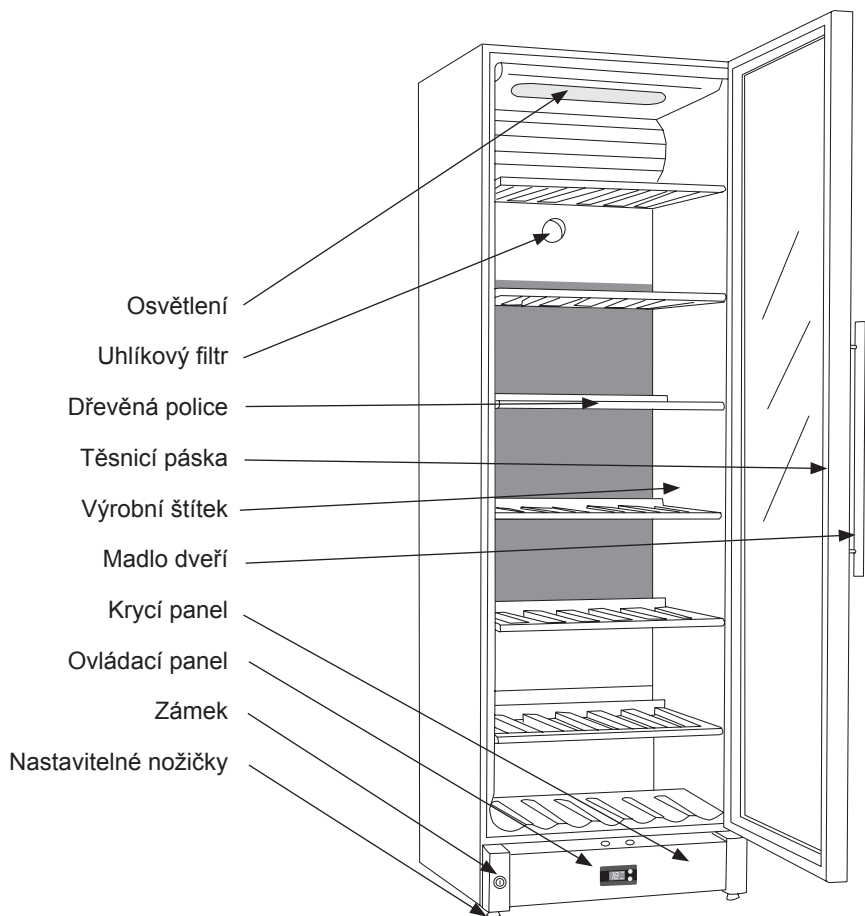
Odstraňte obal. Vymyjte vnitřek skříně chladničky teplou vodou s jemným mycím prostředkem. Spláchněte čistou vodou a důkladně osušte (viz pokyny pro čištění). Používejte měkký hadřík.

Pokud byl spotřebič během přepravy položen směrem dolů nebo pokud byl uložen v chladném prostředí (chladnějším než + 5°C), je třeba zajistit, aby byl postaven do správné polohy (směrem nahoru) nejméně jednu hodinu před jeho zapnutím.

## Obsah

Seznamte se s chladničkou.....	3
Uvedení do provozu a instalace.....	4
Záměna otevírání dveří.....	7
Zapojení do sítě.....	8
Provoz a funkce.....	9
Odtávání, čištění a údržba.....	11
Seznam odstraňování poruch.....	12
Záruka, náhradní díly a servis.....	13
Likvidace.....	14

## Seznamte se s chladničkou



Obrázek1

# Uvedení do provozu a instalace

## Umístění

Z bezpečnostních a provozních důvodů nesmí být spotřebič umístěn venku.

Spotřebič má být umístěn v suché a dobře větrané místnosti (při maximální relativní vlhkosti 75 %). Nikdy neinstalujte spotřebič v blízkosti tepelných zdrojů, jako jsou sporáky nebo radiátory a vyhněte se umístění spotřebičů na přímém slunečním záření.

### Okolní teplota

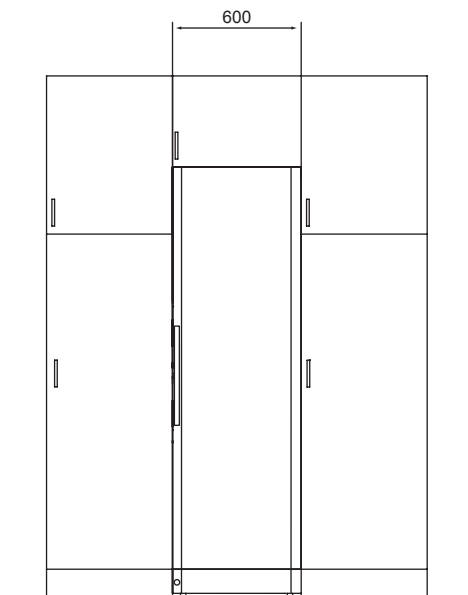
Klimatická třída je uvedena na výrobním štítku (viz obrázek 1 na straně 3 a obrázek 11 na straně 13). Specifikuje za jaké okolní teploty chladnička pracuje optimálně. Skříň na chlazení vína se „zimním nastavením“ fungují do teploty místnosti 5°C.

Klimatická třída	Optimální okolní teplota
SN	+10 °C do +32 °C
N	+16 °C do +32 °C
ST	+18 °C do +38 °C
T	+18 °C do +43 °C

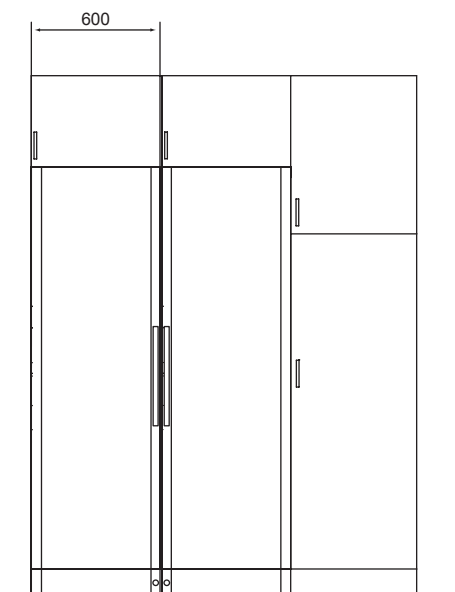
## Instalace

Povrch, na kterém bude umístěn spotřebič, musí být rovný. Nepoužívejte sokl nebo podobné pomůcky.

Spotřebič lze instalovat jako volně stojící zařízení u zdi, zabudovaný v kuchyňské lince nebo v sestavě s jinými spotřebiči (obrázek 2 a obrázek 3).



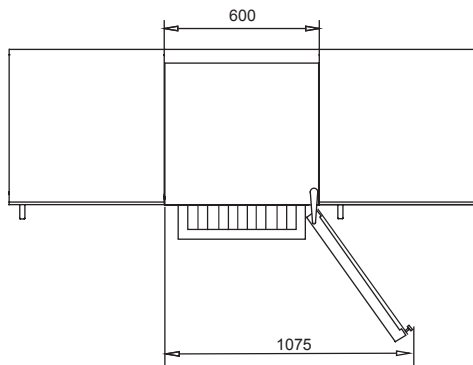
Obrázek 2



Obrázek 3

## Horní pohled na spotřebič

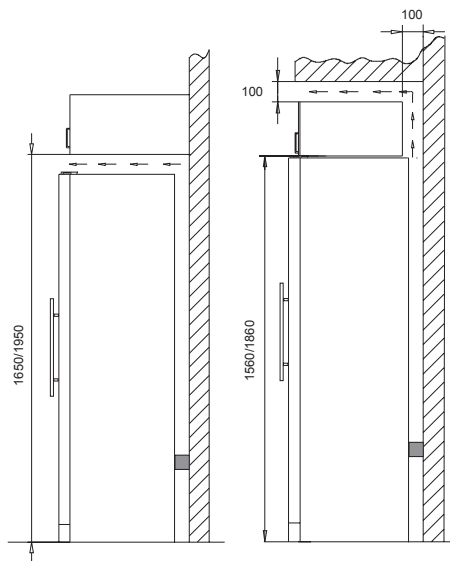
Pokud je spotřebič umístěn u zdi, je třeba zajistit dostatečný prostor pro otevření dveří spotřebiče, aby zásuvky mohly být vytaženy (obrázek 4).



Obrázek 4

## Ventilace

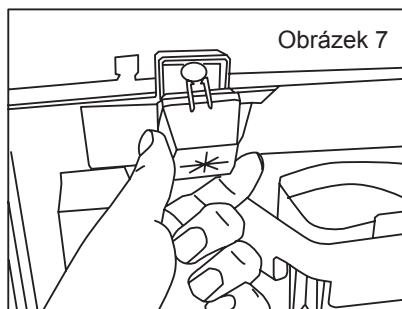
Je důležité, aby byl spotřebič dobře odvětráván a aby vzduch mohl cirkulovat nad, pod a kolem spotřebiče. Níže uvedené obrázky ukazují, jak lze zajistit potřebnou cirkulaci vzduchu kolem spotřebiče (obrázek 5 - 6).



Obrázek 5

Obrázek 6

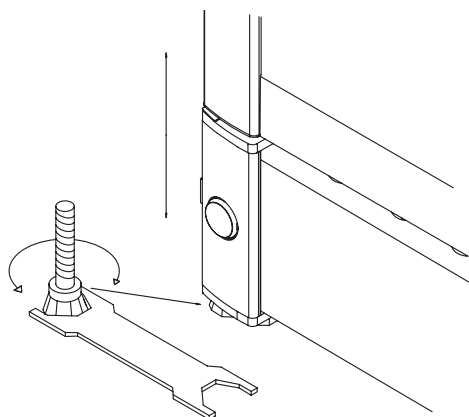
Kolíky na zadní straně zajišťují potřebnou cirkulaci vzduchu. Namontujte dva kryty, které jsou přiložené k chladicí skříni (viz obr.7)





## Umístění

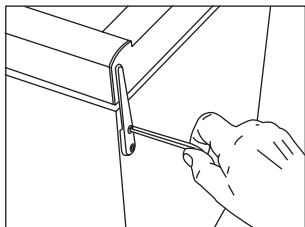
Je důležité, aby spotřebič stál v absolutně vodorovné poloze. Skříň vyrovnáte otáčením nastavitelných nožiček ve předu směrem nahoru nebo dolů. (viz obr 8). Vodováhou překontrolujte, že spotřebič stojí rovně.



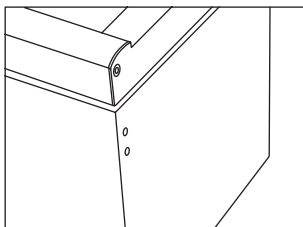
Obrázek 8

## Záměna otevírání dveří

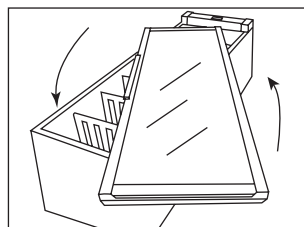
Zavěšení dveří lze změnit na zavěšení zprava nebo zleva následujícím způsobem:



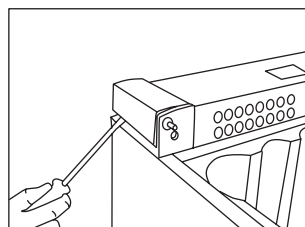
1. Skříň položte a uvolněte horní závěs.



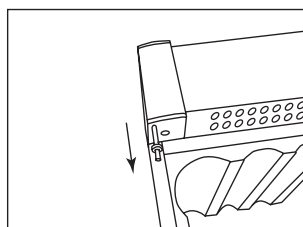
2. Sejměte horní závěs dveří.



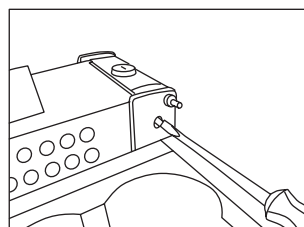
3. Skleněné dveře obraťte (u FZ 295 W stáhněte rukojeť tak, že se uvolní zevnitř pod těsnící lištou).



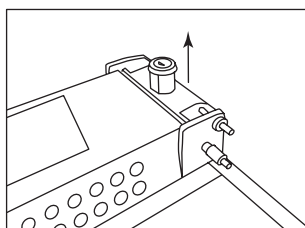
4. Krycí panely na straně soklu opatrně odmontujte plochým šroubovákem.



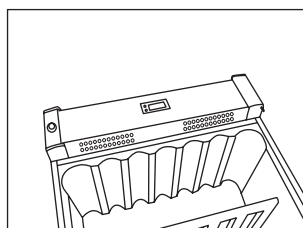
5. Vytáhněte kolík závěsu...  
... a namontujte na opačnou stranu.



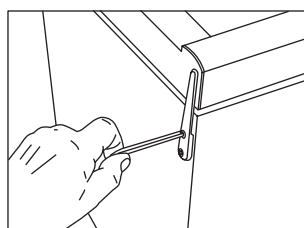
6. Plochým šroubovákem uvolněte uzavírací západku.



7. Po uvolnění ji vytáhněte spolu s páskem a namontujte na opačné straně.



8. Krycí panely nasadte zacvaknutím na strany soklu.



9. Nasadte dveře na dolní kolík a namontujte horní závěs a pevně utáhněte.

10. Po změně zavěšení dveří překontrolujte těsnící funkci lišty kolem dokola dveří. Pokud netěsní, lze sušákem na vlasy těsnící lištu opatrně v celé délce nahřát. Tak se těsnící lišta napomůže aby opět těsnila kolem dokola skříň. Pozor, aby se lišta nezahřála moc a nezačala tát!

## Zapojení do sítě

Chladnička je určena pro zapojení do sítě se střídavým proudem. Požadované napětí (V) a frekvence (Hz) jsou uvedeny na výrobním štítku uvnitř spotřebiče. Spotřebič musí být připojen do sítě pomocí nezávislé nástěnné zásuvky.

**Pokud byl přívodní kabel poškozen, musí být nahrazen odpovídajícím typem dodaným výrobcem nebo schváleným střediskem servisu.**

### Technické údaje

Tento spotřebič splňuje nařízení, směrnice a normy pro udělení označení CE.  
Směrnice o nízkém napětí 73/23/EHS  
EMC směrnice 89/336/EHS.

## Provoz a funkce

Vypínač on/off – zapnuto/vypnuto



Ovladač světla



Obrázek 9

### Elektronické ovládání

Elektronické ovládání zabezpečuje udržení nastavené teploty v horní a dolní části chladicí skříně. Napomáhá k tomu vyvinuté ovládání chlazení, tepelných tělísek a ventilátoru.

Pokud dojde k výpadku proudu, je nastavená teplota uložena v paměti.

Elektronické ovládání má následujících funkce:

- Nastavení teploty
- Ukazatel teploty
- Automatické odtávání
- Program pro hledání funkčních závad, nouzový program, program údržby
- Výstražný signál při nízké teplotě

Ⓛ Vypínač on/off – zapnuto/vypnuto

☼ Ovladačem světla se mění funkce osvětlení z rozsvícení světla při otevření dveří na stále svítící světlo.

### Ukazatel teploty

Na displeji se ukazuje aktuální teplota v horní nebo dolní část skříně. Změna ukazatele teploty z horní na dolní zónu se provede krátkodobým stisknutím na dolní nebo horní tlačítko. V ukazateli teploty je zabudován filtr, který simuluje aktuální teplotu v lahvích. Proto ukazatel nereaguje na krátkodobé

změny v teplotě vzduchu.

### Nastavení teploty

Teploty v chladicí skříně se nastaví dvěma tlačítky na elektronickém ovladači. Horní tlačítko nastavuje teplotu v horní zóně. Dolní tlačítko nastavuje teplotu v dolní zóně. Stisknutím tlačítka po dobu 3 sekund přerušíte funkci bezpečnostní pojisky (proti zneužití dětmi). Displej začne blikat a ukazuje aktuální nastavenou teplotu ve zvolené zóně. Platí pro obě tlačítka a zóny. Displej bliká a ukazují se hodnoty teploty od 22 do 5 stupňů. Když se ukáže požadovaná hodnota teploty, nedotýkejte se ovládání po dobu 3 sekund a hodnota se uloží do paměti a aktivuje se opět bezpečnostní pojistka.

Pozor: dolní zónu nelze nikdy nastavit tepleji než horní zónu. Proto je nejteplejší dostupná hodnota pro dolní zónu vždy identická s aktuálním nastavením v horní zóně.

### Výstraha při nízké teplotě

Pokud byla teplota nižší než 2°C déle než jednu hodinu, bliká střídavě ukazatel teploty místnosti a Lo/aktuální teploty. Mráz ničí schopnost dozrávání vína.

## Nastavení více zón pro temperaci k servírování

Typickým nastavením pro tohle použití je nastavení horní / dolní zóny na 16/6°C. Při tomto nastavení se teploty uvnitř v chladicí skříni rozdělí a jsou vhodné ke skladování různých typů vín dle následujícího rozmístění směrem zhora dolů:

- těžká červená vína +16 až +19°C
- Růžová a lehká červená vína +12 až +16°C
- bílá vína +10 až +12°C
- šampaňské a šumivá vína +6 až +8°C

Doporučuje se servírovat vína o několik stupňů chladnější než je požadovaná teplota, protože se víno při nalévání do sklenice rychle nepatrně ohřeje.

## Nastavení jedné zóny pro dlouhodobé skladování

Pro dlouhodobé skladování vín se doporučuje teplota v horní / dolní zóně 12/12°C.

Při stejném nastavení v horní i dolní zóně si chladicí systém vytvoří stejnoměrnou teplotu uvnitř celé skříně.

Teplota okolí by ale začas pronikla dveřmi a po stranách a tak by vznikl malý rozdíl v teplotách mezi dolní a horní zónou. Chladicí skříň bude udržovat nastavenou teplotu v dolní zóně, ale odchylka teploty se projeví v horní části skříně.

Rozdíl bude mezi 0–3°C, v závislosti na teplotě okolí.

## Odtávání, čištění a údržba

### Automatické odtávání chladničky

Odtávání chladicí skříně se provádí automaticky, roztátá voda odtéká trubičkou do nádoby nad kompresorem. V důsledku teploty kompresoru se roztátá voda odpaří. Žlábek na roztátou vodu by měl být čas od času vyčištěn.



Obrázek 10

### Čištění

Před čištěním vnitřku vypněte spotřebič stisknutím tlačítka on/off. Skříň se nejlépe čistí roztokem teplé vody s trochou mycího prostředku (max. 65°C). Nikdy nepoužívejte abrazivní čisticí prostředky. Používejte měkký hadřík. Vymyjte čistou vodou a pečlivě vytřete do sucha. Sběrný žlábek na kondenzovanou vodu z výparníku je dole na zadní stěně uvnitř skříně. Udržujte jej v čistotě. Používejte desinfekční prostředek, např. rodalon, kapejte jej několikrát za rok do odtoku roztáté vody. Čistěte kartáčkem na fajfky nebo pod. Nikdy nepoužívejte ostré nebo špičaté nástroje. Těsnění kolem dveří je třeba pravidelně čistit, aby se zabránilo jeho nežádoucímu zabarvení a prodloužila se jeho životnost. Používejte čistou vodu. Po očištění těsnění zkontrolujte, zda i nadále řádně těsní. Na zadním kondenzátoru, na kompresoru a v prostoru kompresoru odstraňujte prach, nejlépe vysavačem.

### Výměna osvětlovací trubice

Vypněte chladicí skříň stisknutím tlačítka zapnuto/vypnuto. Sejměte kryt osvětlení za pomoci malého plochého šroubováku. Vyměňte PLC trubici (11 W). Nasaďte kryt a zapněte skříň stisknutím spínače zapnuto/vypnuto.

## Seznam odstraňování poruch

Poruchy	Možné příčiny	Odstranění poruchy
Skříň je "mrtvá!".	Spotřebič je vypnutý.  Porucha přívodu energie; pojistka je spálená; zástrčka spotřebiče není dobře zastrčena do zásuvky.	Stiskněte tlačítko on/off.  Zkontrolujte přívod energie. Zapněte znovu pojistku.
Voda se shromažďuje na dně chladničky.	Trubička odvádějící odmrazovací vodu je ucpaná.	Vyčistěte kanálek pro rozmrazenou vodu a výtokový otvor na zadní stěně skříň spotřebiče.
Vibrace a nepříjemný hluk.	Spotřebič nestojí rovně. Spotřebič se dotýká jiného kuchyňského zařízení.  Plechovky nebo láhve ve skříni do sebe narážejí a řinčí.	Vyrovnejte spotřebič pomocí libely.  Posuňte spotřebič dále od kuchyňského nábytku nebo spotřebičů, kterých se dotýká. Posuňte od sebe plechovky a/nebo láhve.
Kompresor neustále běží.	Vysoká teplota v místnosti.	Zajistěte odpovídající cirkulaci vzduchu.
Ovládání ukazuje E1	Horní čidlo je porušené nebo zkratovalo.	Přivolejte servis. Celá chladicí skříň se řídí podle nejvyšší nastavené teploty, do té doby, než se chyba odstraní.
Ovládání ukazuje E2	Dolní čidlo je porušené nebo zkratovalo.	Přivolejte servis. Celá chladicí skříň se řídí podle nejvyšší nastavené teploty, do té doby, než se chyba odstraní.
Ovládání ukazuje ULO	Napětí v síti pokleslo pod 184 V	
Ovládání ukazuje UHI	Napětí v síti stoupl nad 255 V	

## Záruka, náhradní díly a servis

### Záruka se nevztahuje na:

Poruchy a poškození způsobené přímo nebo nepřímo nesprávným zacházením, nesprávným používáním, nedostatečnou údržbou, nesprávným zabudováním, nesprávnou instalací nebo připojením k síti, požárem, nehodou, osvětlením, kolísáním proudu a jiným rušivým elektrickým ovlivněním, jakož i vadnými pojistkami nebo vadnou instalací sítě nebo provedením opravy jiným servisním střediskem než střediskem určeným firmou Vestfrost a jinými závadami nebo poškozeními, u kterých může výrobce konstatovat, že nebyly způsobeny při výrobě ani vadami materiálu, na které se vztahuje záruka.

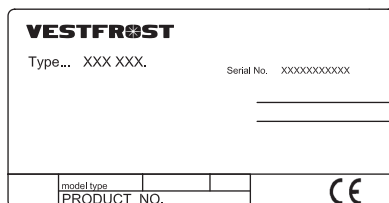
Poškození přepravou zjištěná kupujícím jsou záležitostí, která má být řešena mezi kupujícím a prodejcem, tj. prodejce musí zajistit, aby stížnosti kupujícího bylo vyhověno.

Než se obrátíte na servisní středisko, přesvědčte se prosím, zda nejste schopni odstranit závadu sami (viz seznam odstraňování poruch). Pokud požádáte o opravu, na níž se nevztahují záruční podmínky, například v případě, kdy se spotřebič poškodil v důsledku vypnutí pojistek nebo nesprávného zacházení, budete hradit náklady spojené s vaším požadavkem o technickou pomoc.

### Náhradní díly

Pokud objednávejte náhradní díly, uveďte prosím typ, sériové číslo a také výrobní číslo vašeho spotřebiče (viz obrázek 1 na straně 3 a obrázek 11).

Tyto informace jsou uvedeny na výrobním štítku uvnitř skříně spotřebiče. Typový štítek obsahuje různé technické informace včetně typu a sériového čísla.



Obrázek 11

**Poznámka:** Se žádostí o opravu nebo výměnu vašeho spotřebiče se vždy obračete na schválená servisní střediska!

### Servis

Vestfrost má místní servisní střediska po celé zemi, která se specializují na výroby Vestfrost. V těchto střediscích můžete zjistit pevné ceny a získat profesionální pomoc pro všechny opravy. Vaše místní servisní centrum naleznete na [www.vestfrost.cz](http://www.vestfrost.cz).




# Likvidace

Je třeba rovněž dodržovat environmentální předpisy pro likvidaci spotřebiče. Při likvidaci spotřebiče byste se měli obrátit na technické oddělení městského úřadu, které vás bude informovat, jak se provádí sběr a recyklace takových zařízení ve vaší oblasti.

Tento spotřebič je označený v souladu s evropskou směrnicí 2002/96/ES o likvidaci elektrického a elektronického zařízení (WEEE).

Zajištěním správné likvidace tohoto výrobku pomůžete zabránit případným negativním důsledkům na životní prostředí a lidské zdraví, ke kterým by nevhodnou likvidací tohoto výrobku mohlo dojít.



Symbol  na výrobku nebo na dokumentech přiložených k výrobku udává, že tento spotřebič nepatří do domácího odpadu. Spotřebič je nutné odvézt do sběrného místa pro recyklaci elektrického a elektronického zařízení.

Likvidace musí být provedena v souladu s místními předpisy o ochraně životního prostředí, které se týkají likvidace odpadu. Podrobnější informace o zpracování, rekuperaci a recyklaci tohoto výrobku zjistíte u příslušného místního úřadu, služby pro likvidaci domovního odpadu nebo v obchodě, kde jste výrobek zakoupili.

Dziękujemy, że wybrali Państwo chłodziarkę do win firmy Vestfrost. Niniejsza instrukcja obejmuje wszystkie chłodziarki do win serii FZ. W związku z tym ilustracje i wyposażenie mogą trochę odbiegać od zakupionego przez Państwa modelu.

## UWAGA!

Środkiem chłodzącym w urządzeniu jest palny gaz (Izobutan R600a), należy więc szczególnie uważać, aby nie uszkodzić obwodów ani przewodów podczas transportu i instalacji.

W razie powstania uszkodzenia, należy chronić urządzenie przed iskrami i otwartym płomieniem, dokładnie wywietrzyć pomieszczenie, odciąć dopływ prądu, jeśli zamrażarka została już podłączona i skontaktować się z dostawcą.

Serwis urządzenia może być wykonywany tylko przez kompetentnych pracowników centrów serwisowych.

Urządzenia wyeksploatowane  
Stare chłodziarki i zamrażarki często wyposażone są w skomplikowane zamki zatrzaskowe, które można otworzyć tylko od zewnątrz. Jeśli takie urządzenie stoi na terenie Państwa posesji, bądź też jeśli zamierzają Państwo się go pozbyć, należy koniecznie zniszczyć zamek, aby nie narażał na śmiertelne niebezpieczeństwo dzieci, które podczas zabawy mogą się zatrzaskać wewnątrz urządzenia.

## Utylizacja

Urządzenie zawiera materiały nadające się do powtórnego użycia. Przy utylizacji należy usunąć wtyczkę przewodu zasilającego i zdjąć drzwi. Urządzenie porzucone wraz z drzwiami może stanowić wielkie zagrożenie dla bawiących się dzieci.

Należy przestrzegać obowiązujących przepisów w zakresie ochrony środowiska. Informacji o zbiórce i utylizacji urządzeń AGD na terenie danej gminy udziela wydział ds.

technicznych urzędu gminy /przyp. tłum.: w Polsce wydział ochrony środowiska/.

## Przed rozpoczęciem eksploatacji

Przed rozpoczęciem eksploatacji nowej chłodziarki należy dokładnie zapoznać się z instrukcją obsługi. Zawiera ona ważne informacje o wymogach bezpieczeństwa, sposobie podłączenia, eksploatacji oraz konserwacji urządzenia. Instrukcję należy zachować. Może być jeszcze kiedyś potrzebna.

Gdy urządzenie zostanie dostarczone, należy upewnić się, że nie jest ono uszkodzone. O uszkodach powstałych podczas transportu należy powiadomić sprzedającego przed rozpoczęciem eksploatacji.

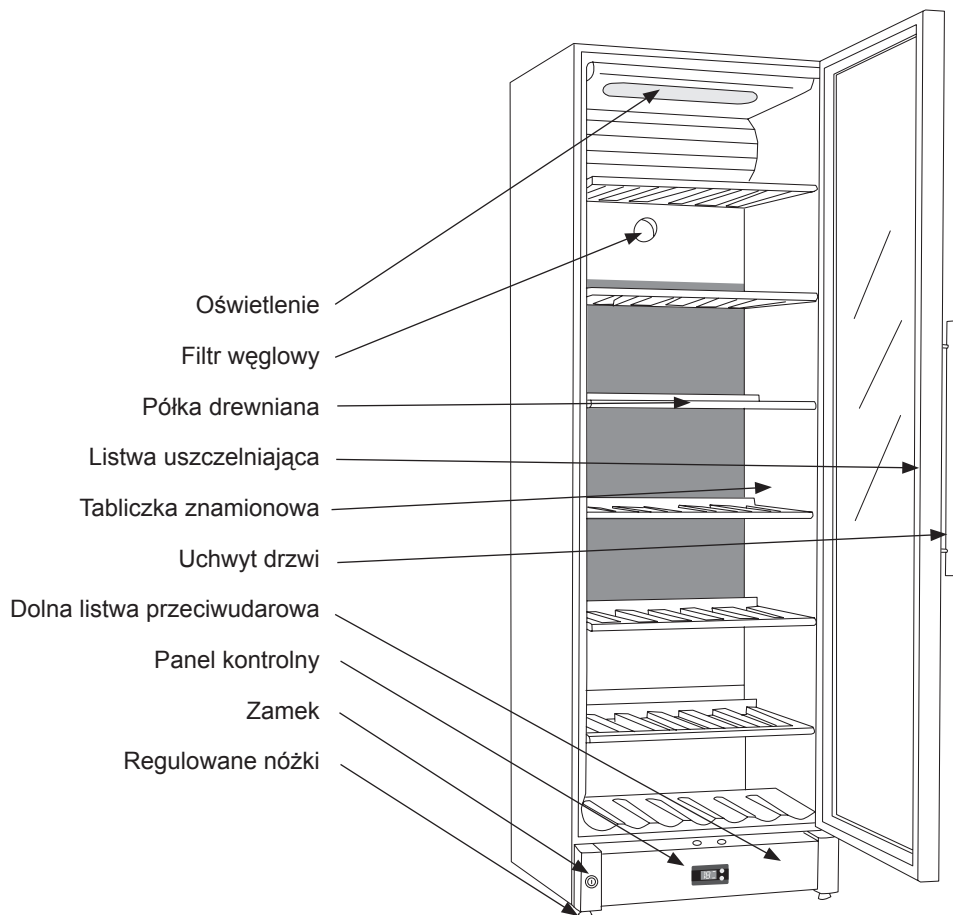
Zdejmij opakowanie. Umyj wewnątrz urządzenia letnią wodą z dodatkiem delikatnego płynu do mycia naczyń. Zmyj czystą wodą i dokładnie wytrzyj (patrz: wskazówki dot. czyszczenia urządzenia). Używaj miękkiej szmatki.

Jeśli chłodziarka była transportowana w pozycji leżącej albo przechowywana w magazynie w niskiej temperaturze (poniżej +5 °C), należy odczekać co najmniej godzinę przed jej podłączeniem.

## Spis treści

Budowa urządzenia.....	3
Ustawienie i warunki pracy urządzenia.....	4
Możliwość zmiany kierunku otwierania drzwi.....	7
Podłączenie zasilania.....	8
Obsługa i funkcje.....	9
Odszranianie, mycie i konserwacja.....	11
Lokalizacja usterek.....	12
Reklamacje, części zamienne oraz serwis urządzenia.....	13
Usuwanie.....	14

# Budowa urządzenia



Rys.1

# Ustawienie i warunki pracy urządzenia

## Ustawienie

Ze względu na wymogi bezpiecznej eksploatacji, urządzenie nie może pracować na zewnątrz.

Ustaw chłodziarkę na równym, poziomym i stabilnym podłożu w suchym pomieszczeniu z dobrą wentylacją (maks. 75% wilgotności względnej). Zwróć uwagę, by w bezpośrednim pobliżu nie było źródeł ciepła takich jak kuchenka lub grzejnik; chroń przed bezpośrednim działaniem promieni słonecznych oraz wysokiej temperatury.

## Temperatura otoczenia

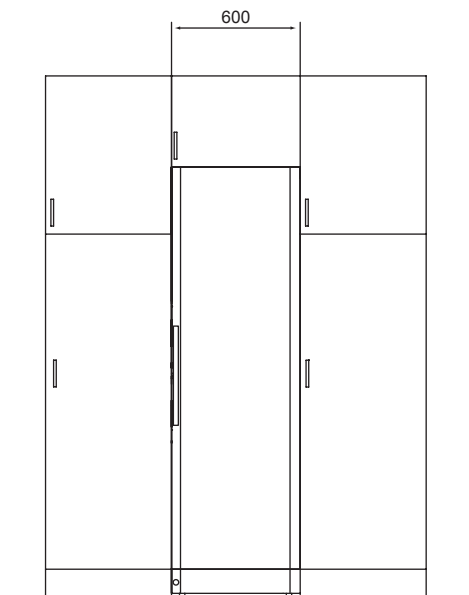
Informacja o klasie klimatycznej urządzenia znajduje się na tabliczce znamionowej (patrz: rys. 1 str. 3 i rys. 11 str. 13). Wskazuje ona, w jakiej temperaturze otoczenia (tj. pomieszczenia, w którym pracuje) chłodziarka działa optymalnie. Chłodziarki z opcją zimową mogą być eksploatowane nawet w temperaturze otoczenia +5 °C.

Klasa klimatyczna	Dozwolona temperatura otoczenia
SN	od +10 °C do +32 °C
N	od +16 °C do +32 °C
ST	od +18 °C do +38 °C
T	od +18 °C do +43 °C

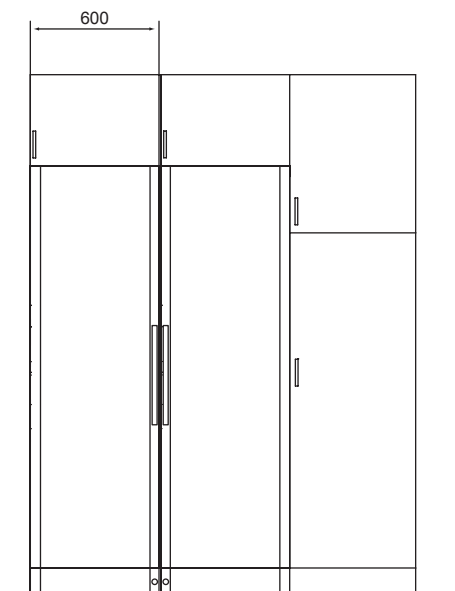
## Instalacja

Chłodziarkę należy ustawić na równym podłożu. Nie należy używać ram ani podobnych podpórek.

Chłodziarka może być użytkowana jako urządzenie wolnostojące, przeznaczone do zabudowy lub połączone w jeden ciąg z innymi elementami wyposażenia, np. szafkami. (rys. 2-3).



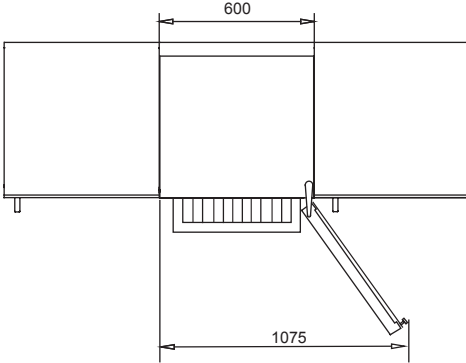
Rys. 2



Rys. 3

## Obudowa widziana z góry

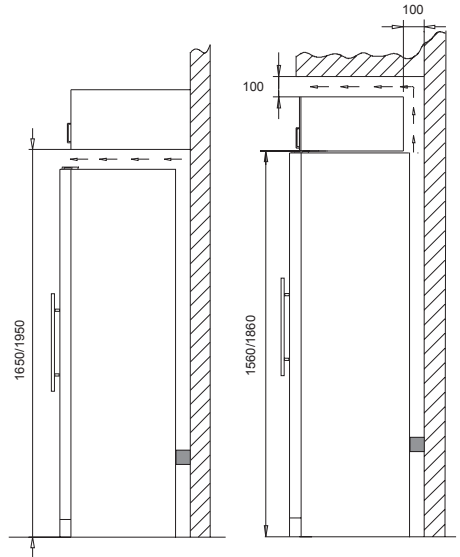
Ustawiając urządzenie pod ścianą, należy zapewnić odpowiednią ilość miejsca, pozwalającą na szerokie otwarcie drzwi i wysunięcie półek (rys. 4).



Rys. 4

## Wentylacja

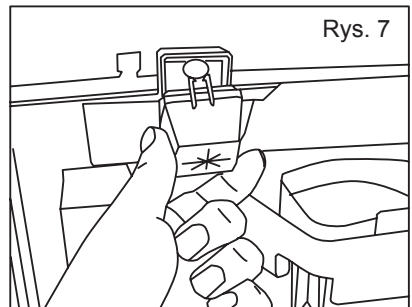
Należy zadbać o odpowiednią wentylację pomieszczenia i swobodny obieg powietrza ze wszystkich stron urządzenia. Poniższe ilustracje pokazują, w jaki sposób zapewnić niezbędną cyrkulację powietrza wokół urządzenia (rys. 5-6).



Rys. 5

Rys. 6

Dwa elementy dystansowe na tylnej ścianie chłodziarki zapewniają odpowiedni obieg powietrza. Załóż na nie osłony, które dostarczono razem z urządzeniem (patrz rys. 7).



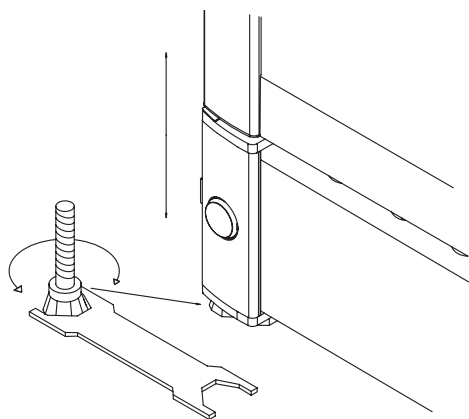
Rys. 7

## Regulacja ustawienia

Urządzenie musi stać idealnie równo.

W tym celu można regulować wysokość przednich nóżek, podwyższając je albo obniżając (patrz rys. 8).

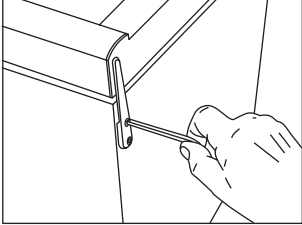
Prawidłowość ustawienia chłodziarki należy skontrolować przy użyciu poziomicy.



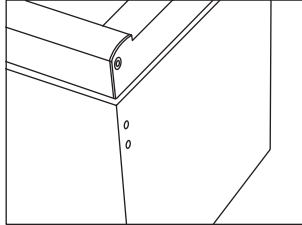
Rys. 8

## Możliwość zmiany kierunku otwierania drzwi

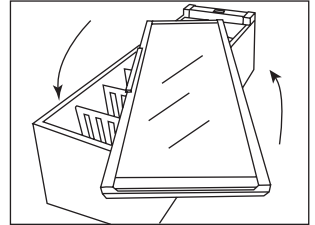
Drzwi mogą być zamocowane po lewej albo prawej stronie – zmiany dokonuje się w następujący sposób:



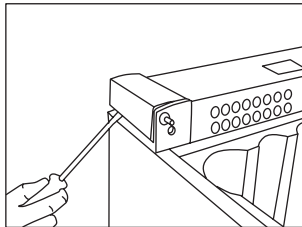
1. Chłodziarkę należy położyć poziomo i poluzować górny zawias.



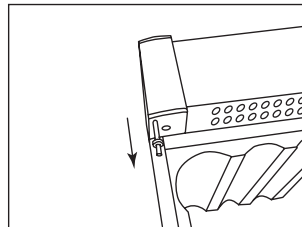
2. Zdejmij górny zawias



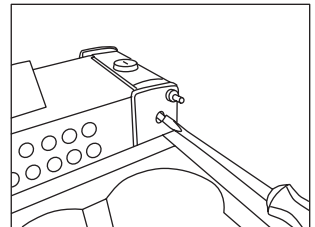
3. Obróć szklane drzwi (w przypadku chłodziarki FZ 295 W porusz uchwytem, który poluzowuje się pod listwą uszczelniającą).



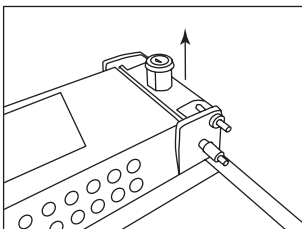
4. Ostrożnie zdejmij osłony znajdujące się po bokach cokołu przy pomocy płaskiego śrubokrętu.



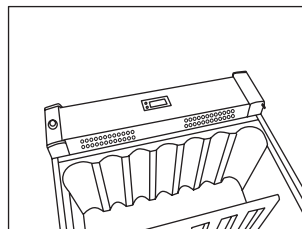
5. Wyciągnij trzpień zawiasu ...  
... i umocuj po przeciwnej stronie.



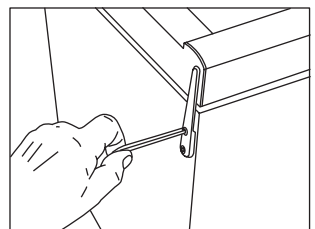
6. Przy użyciu płaskiego śrubokrętu zluźnij trzpień zamka.



7. Następnie wyjmij trzpień oraz cylinder zamka i umocuj po przeciwnej stronie.



8. Osłony po bokach cokołu umocuj na wcisk po przeciwnej stronie.



9. Zamocuj drzwi na trzpieniu dolnym, solidnie przykręć górny zawias.

10. Po przełożeniu zawiasów należy upewnić się, czy listwa uszczelniająca przylega ściśle do obudowy na całej długości i ze wszystkich stron. Jeżeli nie, można bardzo ostrożnie ogrzać ją suszarką do włosów na całej długości, a następnie lekko ją naciągnąć, tak aby znów ściśle przylegała do obudowy. Ogrzewać trzeba ostrożnie, aby listwa nie stopia się pod wpływem ciepła!

## Podłączenie zasilania

Chłodziarka przystosowana jest do zasilania prądem zmiennym. Wartości napięcia (V) i częstotliwości (Hz) podane są na tabliczce znamionowej wewnątrz urządzenia. Urządzenie musi być podłączone do własnego gniazda zasilania.

**W przypadku uszkodzenia przewodu sieciowego, należy go wymienić na przewód dostarczony przez producenta lub przedstawiciela serwisowego.**

### Dane techniczne

Urządzenie spełnia wymogi wszelkich przepisów, dyrektyw i standardów niezbędnych dla nadania znaku CE.

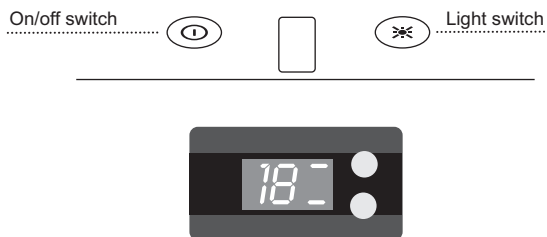
Dyrektywa Niskiego Napięcia 73/23/EWG.

Dyrektywa 89/336/EWG dot.

kompatybilności elektromagnetycznej (EMC).



## Obsługa i funkcje



Rys. 9

### Elektroniczny panel kontrolny

Dzięki elektronicznemu panelowi kontrolnemu, ustawione wartości temperatury w części górnej i dolnej chłodziarki pozostaną niezmienione. Zapewni to zaawansowany system sterowania chłodzeniem, pracą elementu grzewczego oraz wentylatora. Urządzenie zapamiętuje ustawioną wartość temperatury i wraca do niej po ewentualnej przerwie w dopływie prądu. Elektroniczny panel kontrolny posiada następujące funkcje:

- Regulacja temperatury
- Wskaźnik temperatury
- Automatyczne odszranianie
- Diagnostyka błędów, programy awaryjne i serwisowe
- Alarm niskiej temperatury

① Włącznik/wyłącznik

⌘ Regulator oświetlenia można ustawić w dwóch pozycjach: włączanie oświetlenia przy otwarciu drzwi lub oświetlenie ciągle.

### Odczyt temperatury

Wyświetlacz pokazuje aktualną temperaturę w części górnej lub dolnej chłodziarki.

Naciskając krótko na – odpowiednio – dolny lub górny przycisk, uzyskamy odczyt temperatury w dolnej lub górnej części urządzenia. Wskaźnik temperatury posiada wbudowany filtr, symulujący aktualną temperaturę wewnątrz butelek, dlatego nie reaguje na krótkotrwałe wahania temperatury powietrza.

### Regulacja temperatury

Żądaną wartość temperatury ustawia się przy pomocy dwóch przycisków umieszczonych na panelu kontrolnym. Przyciskiem górnym ustawiamy temperaturę w górnej części chłodziarki. Dolnym – w części dolnej urządzenia. Przytrzymując wciśnięty przycisk przez 3 sekundy, wyłącz blokadę zabezpieczającą przed dziećmi. Wyświetlacz zaczyna migać i pokazuje aktualnie wybrane ustawienie dla danej części chłodziarki. Ta sama procedura dotyczy obu przycisków/części chłodziarki. Następnie wyświetlacz zaczyna migać i można ustawić żądaną wartość temperatury w zakresie od 22 do 5 stopni. Po pokazaniu się właściwej wartości na wyświetlaczu, zwolnij przycisk na co najmniej 3 sekundy. Wartość ta zostanie zapamiętana i włączy się zabezpieczenie przed dziećmi.

Uwaga: ustawienie w części dolnej tem-

peratury wyższej niż w części górnej jest niemożliwe. Dlatego najwyższa możliwa do ustawienia wartość temperatury w dolnej części chłodziarki zawsze będzie odpowiadać aktualnej wartości temperatury w części górnej.

### **Alarm niskiej temperatury**

Jeżeli temperatura we wnętrzu chłodziarki spadnie do poziomu poniżej 2 °C na ponad godzinę, włączy się alarm. Na wyświetlaczu na zmianę pokazywać będzie się oznaczenie "Lo" i aktualna wartość temperatury. Ujemna temperatura ma bardzo negatywny wpływ na przebieg procesu dojrzewania win.

### **Ustawienie temperatury w celu przygotowania wina do podania (dwie strefy temperaturowe)**

Typowe ustawienie temperatury odpowiednie do tego celu to 16 °C w części górnej i 6°C w części dolnej. W ten sposób wartości temperatury rozłożą się równomiernie we wnętrzu chłodziarki – od najwyższej na górze do najniższej na dole, tj. - zgodnie z zaleceniami dla poszczególnych rodzajów win:

- ciężkie wina czerwone +16 do +19 °C
- wina różowe i lekkie wina czerwone +12 do +16 °C
- wina białe +10 do +12 °C
- szampany i wina musujące +6 do +8 °C

Wskazane jest serwowanie win w temperaturze nieco niższej niż zalecana, gdyż wino nalane do kieliszka szybko ulega lekkiemu ociepleniu.

### **Ustawienie temperatury do długotrwałego przechowywania wina (jedna strefa temperaturowa)**

Przy długim przechowywaniu wina zaleca się ustawienie temperatury 12 °C w obu częściach chłodziarki.

W ten sposób temperatura będzie taka sama w całej komorze urządzenia. Poprzez drzwi i ścianki boczne urządzenia, temperatura otoczenia będzie wywierała stopniowo pewien wpływ na warunki w jego wnętrzu i następować będzie niewielkie zróżnicowanie temperatury w części górnej i dolnej. Urządzenie będzie automatycznie regulowało temperaturę tak, aby odpowiadała ona wartości zadanej przede wszystkim w części dolnej. Pewne odchylenie będzie więc występowało przede wszystkim w górnej części komory chłodziarki.

Różnica wynosić może od 0 do 3 °C, zależnie od temperatury otoczenia.

# Odszranianie, mycie i konserwacja

## Automatyczne odszranianie chłodziarki

Odszranianie chłodziarki następuje automatycznie, a woda odprowadzana jest przewodem do zbiornika, który znajduje się na sprężarce i wyparowuje pod wpływem wydzielanego przez nią ciepła. Zbiornik wody należy co pewien czas umyć.

## Czyszczenie

Przed przystąpieniem do czyszczenia wnętrza chłodziarki odetnij zasilanie naciskając na włącznik/wyłącznik. Najlepiej myć urządzenie letnią wodą z dodatkiem niewielkiej ilości płynu do mycia naczyń (maks. 65 °C). Nie należy stosować środków czystości, które mogłyby porysować powierzchnię. Używaj miękkiej szmatki. Zmyj czystą wodą i dokładnie wytrzyj. Rowek odpływowy kondensatu wody z parownika znajduje się na dole ścianki tylnej urządzenia. Należy zapewnić jego czystość i drożność, stosując środek dezynfekcyjny, np. Rodalon, który należy wkraplać do odpływu 2-3 razy w roku. Otwór należy czyścić wyciorem do fajki albo podobnym narzędziem. Nigdy nie stosuj ostrych ani spiczastych przedmiotów. Listwa uszczelniająca wokół drzwi wymaga częstego mycia w celu zapobiegania odbarwieniom i zapewnienia długiej trwałości. Używaj czystej wody. Po umyciu listwy trzeba sprawdzić, czy nadal szczelnie przylega do obudowy. Kurz gromadzący się na kondensatorze, sprężarce oraz w komorze sprężarki, najlepiej usuwać odkurzaczem.

Zamocuj ponownie obudowę i uruchom chłodziarkę naciskając na włącznik/wyłącznik.



Rys. 10

## Wymiana świetlówki

Wyłącz urządzenie naciskając na włącznik/wyłącznik. Zdejmij obudowę świetlówki za pomocą małego płaskiego śrubokrętu. Wymień świetlówkę (11 W).

## Lokalizacja usterek

Usterka	Możliwa przyczyna	Sposób usunięcia
Chłodziarka nie działa	Urządzenie jest wyłączone.  Brak zasilania; bezpiecznik przerwał obwód prądu; wtyczka nie jest umieszczona prawidłowo w gnieździe zasilającym.	Naciśnij na włącznik/wyłącznik.  Upewnij się, że urządzenie jest podłączone do źródła zasilania. Bezpiecznik musi być załączony.
Na dnie chłodziarki zbiera się woda	Odpływ wody jest zablokowany.	Oczyszczyć rowek odpływowy i otwór w tylnej ścianie.
Urządzenie wibruje albo hałasuje	Chłodziarka stoi nierówno. Urządzenie opiera się o inne meble lub elementy wyposażenia.  Pojemniki i butelki w chłodziarce dotykają się.	Sprawdź poziomą ustawienie urządzenia. Odsuń od mebli lub innych urządzeń dotykających chłodziarki.  Rozstaw butelki i pojemniki, tak aby się nie dotykały.
Sprężarka pracuje przez cały czas	Wysoka temperatura pomieszczenia	Zadbaj o dobrą wentylację
Na panelu kontrolnym pokazuje się E1	Górny czujnik jest odłączony lub uległ zwarciu	Wezwij serwis. Do czasu naprawienia usterki urządzenie będzie automatycznie dostosowywać temperaturę w całej komorze do najwyższej ustawionej wartości.
Na panelu kontrolnym pokazuje się E2	Dolny czujnik jest odłączony lub uległ zwarciu	Wezwij serwis. Do czasu naprawienia usterki urządzenie będzie automatycznie dostosowywać temperaturę w całej komorze do najwyższej ustawionej wartości.
Na panelu kontrolnym pokazuje się ULO	Napięcie sieci jest niższe niż 184 V	
Na panelu kontrolnym pokazuje się UHI	Napięcie sieci jest wyższe niż 255 V	

# Reklamacje, części zamienne oraz serwis urządzenia

## Gwarancja firmy Vestfrost nie obejmuje

Usterki ani uszkodzeń powstałych bezpośrednio lub pośrednio wskutek wadliwej obsługi, stosowania niezgodnego z przeznaczeniem, niewłaściwej konserwacji, wbudowania, ustawienia i podłączenia bądź wskutek pożaru, nieszczęśliwego wypadku, uderzenia pioruna, skoków napięcia i innych zakłóceń elektrycznych, np. wadliwych bezpieczników albo błędów instalacji energetycznej, lub też wskutek napraw wykonanych przez osoby inne niż serwisanci wskazani przez Vestfrost. Ogólnie, usterki i uszkodzenia, co do których dostawca jest w stanie udowodnić, iż nie są one spowodowane błędem produkcyjnym bądź materiałowym, nie są objęte gwarancją.

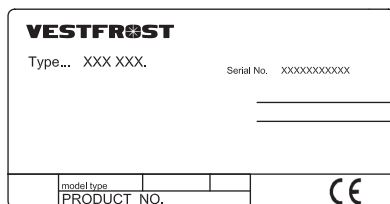
Za szkody powstałe podczas transportu, a stwierdzone przez klienta, odpowiada przede wszystkim sprzedawca i do niego należy zaspokojenie roszczeń użytkownika urządzenia.

Przed wezwaniem serwisu należy wyeliminować nieprawidłowości w pracy urządzenia, które użytkownik jest w stanie usunąć we własnym zakresie (patrz: lokalizacja usterek). W przypadku nieuzasadnionego wezwania, np. jeśli okaże się że usterka zaistniała z powodu wadliwego bezpiecznika albo niewłaściwej obsługi, użytkownik zobowiązany jest do pokrycia kosztów związanych z przybyciem serwisu.

## Części zamienne

Zamawiając części zamienne należy podać typ i numer serii oraz numer urządzenia (patrz: rys. 1 str. 3 i rys. 11).

Informacje te znajdują się na tabliczce znamionowej wewnątrz urządzenia. Tabliczka znamionowa zawiera szereg danych technicznych oraz typ i nr serii.



Rys. 11

**Pamiętaj**, aby zawsze korzystać z usług autoryzowanych punktów naprawy!

## Serwis


Wyspecjalizowane centra serwisowe firmy Vestfrost znajdują się na terenie całego kraju. Oferują one fachową pomoc we wszystkich naprawach oraz stałe ceny. Znajdź najbliższe centrum serwisowe na stronie [www.vestfrost.dk](http://www.vestfrost.dk)

## Usuwanie

Stosować się do obowiązujących przepisów w dziedzinie ochrony środowiska. Dział techniczny w gminie udziela informacji o sposobach zbiórki i utylizacji mebli kuchennych tego typu.

Niniejsze urządzenie posiada oznaczenia zgodnie z Dyrektywą Europejską 2002/96/EC w sprawie zużytego sprzętu elektrycznego i elektronicznego (WEEE). Zapewniając prawidłowe złomowanie niniejszego urządzenia przyczynią się Państwo do ograniczenia ryzyka wystąpienia negatywnego wpływu produktu na środowisko i zdrowie ludzi, które mogłoby zaistnieć w przypadku niewłaściwej utylizacji urządzenia.



Symbol  umieszczony na produkcie lub na dołączonych do niego dokumentach oznacza, że niniejszy produkt nie jest klasyfikowany jako odpad z gospodarstwa domowego.

Urządzenie, w celu jego złomowania, należy zdać w odpowiednim punkcie utylizacji odpadów w celu recyklingu komponentów elektrycznych i elektronicznych.

Urządzenie należy złomować zgodnie z lokalnymi przepisami dot. utylizacji odpadów.

Dodatkowe informacje na temat utylizacji, złomowania i recyklingu opisywanego urządzenia można uzyskać w lokalnym urzędzie miasta, w miejskim przedsiębiorstwie utylizacji odpadów lub w sklepie, w którym produkt został zakupiony.

La ringraziamo per aver acquistato il nostro nuovo frigorifero per vini Vestfrost. Tenga presente che queste istruzioni si applicano a tutti i frigoriferi per vini della gamma FZ. Pertanto le illustrazioni e gli accessori potrebbero non corrispondere esattamente al Vostro modello.

## Attenzione

**ATTENZIONE:** - evitare l'ostruzione delle aperture per la ventilazione sull'involucro dell'apparecchio o sulla struttura interna.

**ATTENZIONE:** - non utilizzare attrezzature meccaniche o mezzi per accelerare il processo di sbrinamento diversi da quelli raccomandati dal fabbricante.

**ATTENZIONE:** - prestare attenzione a non provocare danni all'impianto del refrigerante.

**ATTENZIONE:** - non utilizzare dispositivi elettrici all'interno dei compartimenti raffreddati per la conservazione, a meno che siano di un tipo raccomandato dal fabbricante.

Evitare di esporre l'apparecchio alla pioggia.

\* Tenere sempre le chiavi in un luogo diverso e fuori dalla portata dei bambini.

\* Prima di qualsiasi manutenzione o pulizia dell'apparecchio, scollegarlo dalla rete elettrica.

Poiché il dispositivo contiene un refrigerante infiammabile (Isobutano R600a), è indispensabile assicurarsi che le tubazioni del refrigerante non abbiano subito danni. In caso di danni, evitare scintille e/o fiamme libere nelle vicinanze dell'apparecchio, accertarsi che il locale sia ben ventilato, staccare l'alimentazione elettrica e contattare il fornitore.

La riparazione e/o manutenzione dell'unità devono essere esclusivamente effettuate da tecnici qualificati di un centro di servizio omologato.

Questo apparecchio non è concepito per essere utilizzato da bambini o persone inabili, a meno che siano adeguatamente sorvegliati da una persona responsabile che si assicuri che siano in grado di utilizzare l'apparecchio senza pericoli".

"Sorvegliare i bambini piccoli in modo da assicurarsi che non giochino con l'apparecchio".

## Apparecchi di vecchio tipo

I frigoriferi ed i congelatori sono spesso muniti di complessi dispositivi di chiusura che possono essere aperti soltanto dall'esterno. Se Lei deve collocare una di queste unità in un luogo appartato, o se ne deve smantellare una, si ricordi di distruggere il dispositivo di chiusura onde evitare che i bambini corrano il grave pericolo di rimanere intrappolati all'interno dell'unità.

## Indice

Impari a conoscere il	
Suo frigorifero per vini.....	3
Installazione e messa in funzione.....	4
Sportello reversibile.....	7
Connessioni elettriche.....	8
Gestione e funzionamento.....	9
Sbrinamento,	
pulizia e manutenzione.....	11
Ricerca guasti.....	12
Garanzia, parti di	
ricambio e assistenza.....	13
Smantellamento.....	14

# Impari a conoscere il Suo frigorifero per vini

## Prima dell'uso

Prima di mettere in funzione il Suo nuovo apparecchio, legga attentamente le istruzioni qui di seguito, che contengono importanti informazioni riguardo l'installazione, il funzionamento e la manutenzione. Conservi le istruzioni per poterle consultare in futuro. Al momento del ricevimento, controlli che l'apparecchio non abbia subito danni durante il trasporto. Qualsiasi danno dovuto al trasporto dev'essere comunicato al distributore locale prima che il frigorifero per vini venga messo in funzione.

Asportazione dell'imballaggio. Pulire l'interno dell'armadio servendosi di acqua

calda con un detergente delicato. Sciacquare con acqua pulita ed asciugare completamente (vedi istruzioni per la pulizia). Usare un panno morbido.

Se durante il trasporto l'apparecchio è stato tenuto in posizione coricata, o se è stato lasciato in ambienti freddi (temperature inferiori a +5°C), prima di essere messo in funzione esso dovrà essere lasciato in posizione eretta per almeno un'ora per permettere che si stabilizzi.

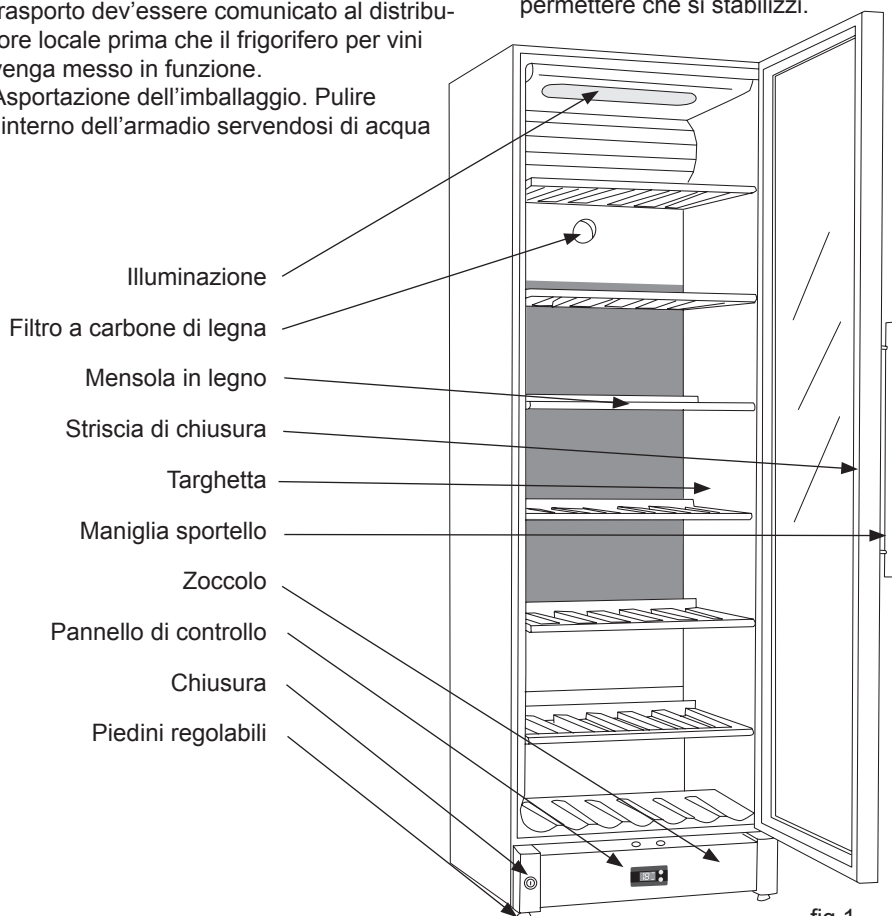


fig.1



# Installazione e messa in funzione

## Collocazione

Per motivi di sicurezza e di funzionamento, l'apparecchio non deve essere installato in esterni.

L'apparecchio deve essere collocato su una superficie livellata in un locale secco e ben ventilato (max. 75% di umidità relativa). Non collocare mai l'apparecchio vicino a fonti di calore quali fornelli o caloriferi, ed evitare di esporlo alla luce diretta del sole.

## Temperatura del locale

La classificazione climatica è indicata sulla targhetta (vedi fig. 1 a pag. 3 e fig. 11 a pag. 13), che specifica la temperatura ottimale del locale. I frigoriferi per vini dotati di posizione invernale, tuttavia, possono funzionare in locali con temperature più basse, fino a 5°C.

Classificazi- one climatica	Temperatura ottimale del locale
SN	da +10 °C a +32 °C
N	da +16 °C a +32 °C
ST	da +18 °C a +38 °C
T	da +18 °C a +43 °C

## Installazione

La superficie su cui va collocato l'apparecchio deve essere livellata. Non utilizzare intelaiature o simili.

L'apparecchio può essere installato come unità a se stante contro una parete, incorporato nell'elemento di una cucina, o allineato con altri apparecchi (figs 2-3).

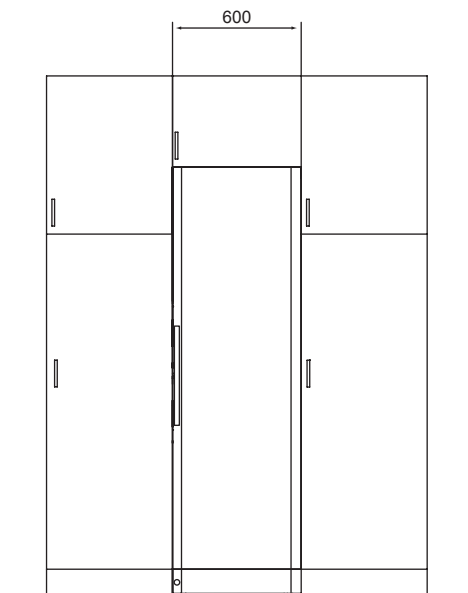


fig. 2

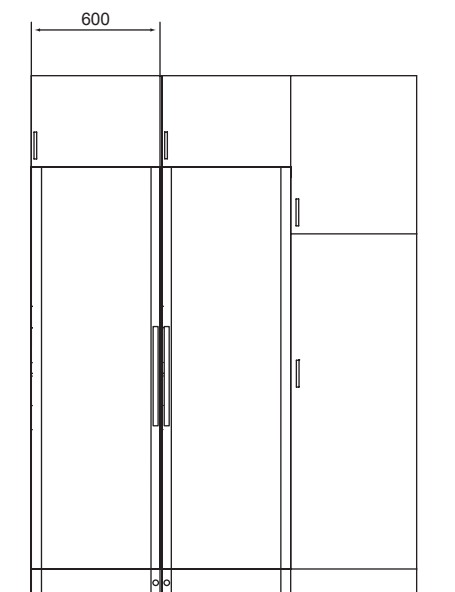


fig. 3

## L'apparecchio visto dall'alto

Se l'apparecchio viene collocato contro a una parete, deve essere lasciato spazio sufficiente per poter aprire lo sportello almeno quanto basta per permettere l'estrazione delle mensole (fig. 4).

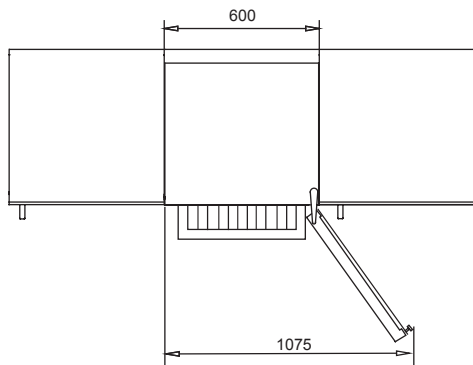


fig. 4

## Ventilazione

È importante che l'apparecchio sia ben ventilato e che l'aria possa liberamente circolare sopra, sotto e attorno all'apparecchio stesso. Le sottostanti figure mostrano come assicurare la circolazione dell'aria attorno all'apparecchio (fig. 5-6).

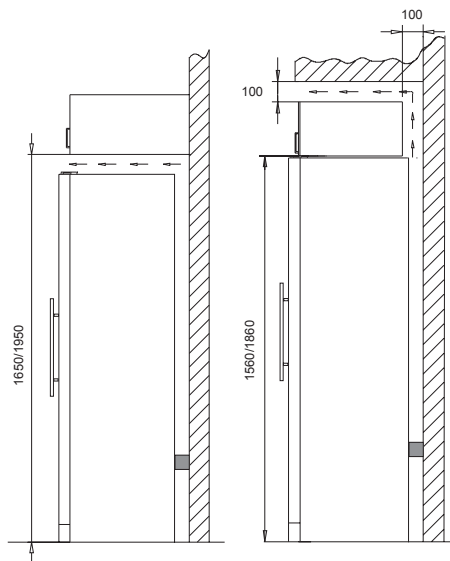


fig. 5

fig. 6

I distanziatori sul retro dell'apparecchio assicurano una circolazione dell'aria sufficiente. Montare i due cappucci forniti assieme all'apparecchio come mostrato in fig. 7.

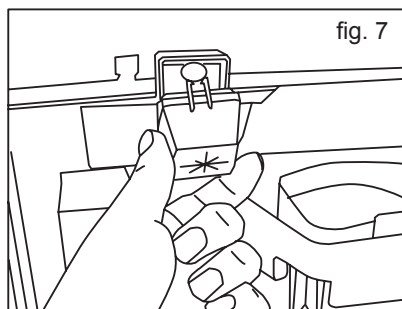


fig. 7

## Collocazione dell'apparecchio

È importante che l'apparecchio sia perfettamente livellato. L'apparecchio può essere livellato avvitando o svitando i piedini regolabili sulla parte frontale dell'apparecchio stesso (fig. 8-9).

Utilizzare una livella a bolla per accertarsi che l'apparecchio sia perfettamente livellato in senso laterale.

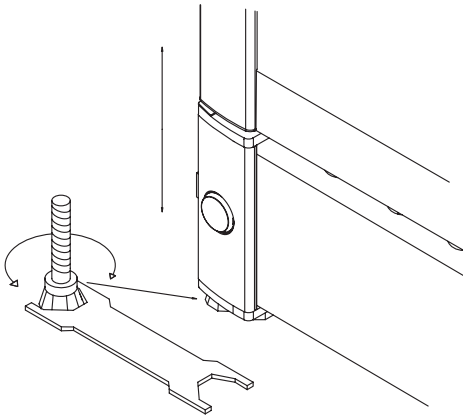
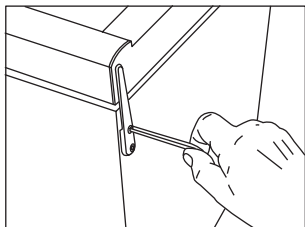


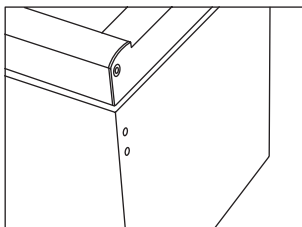
fig. 8

## Sportello reversibile

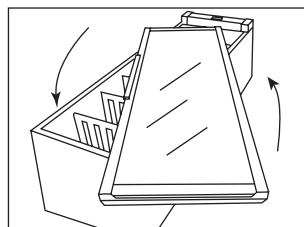
È possibile modificare lo sportello dalla posizione con cerniere a destra a quella con cerniere a sinistra e viceversa in questo modo:



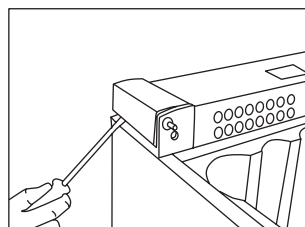
1. Coricare l'apparecchio sulla propria parte posteriore e allentare la cerniera superiore.



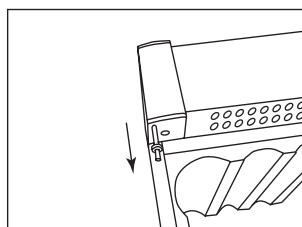
2. Togliere la cerniera superiore.



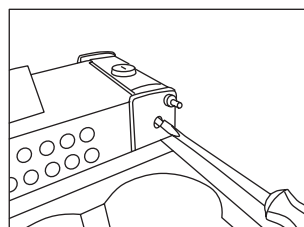
3. Ruotare lo sportello in vetro di 180° (nel FZ 295 W, tirare la maniglia per allentarla internamente dalla parte sottostante la striscia di chiusura).



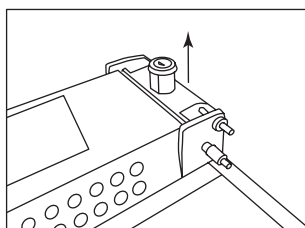
4. Togliere con precauzione i coperchi sul lato del basamento utilizzando un cacciavite a testa piatta.



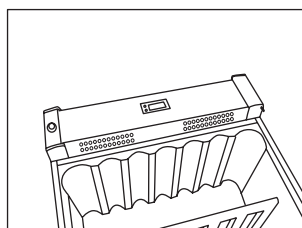
5. Estrarre il perno della cerniera...  
...e montarlo sul lato opposto.



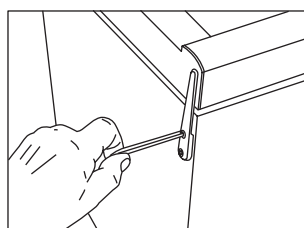
6. Svitare il perno di chiusura utilizzando un cacciavite a testa piatta.



7. Quando il perno di chiusura è completamente allentato, estrarlo assieme al cilindro di chiusura e rimontarlo sul lato opposto.



8. Collocare i coperchi ai lati del basamento sul lato opposto fino a sentire lo scatto.



9. Montare lo sportello sul perno in basso, montare la cerniera in alto e stringere saldamente.

10. Dopo aver invertito la posizione dello sportello, è importante accertarsi che la striscia di chiusura consenta una tenuta sicura tutto intorno al proprio tragitto. Se così non fosse, riscaldare con precauzione la striscia lungo l'intero tragitto utilizzando un asciugacapelli. Sollevare quindi leggermente la striscia verso l'esterno in modo che offra una tenuta perfetta contro l'armadio. Prestare attenzione a non riscaldare troppo la striscia facendola fondere!

## Connessioni elettriche

L'apparecchio è previsto per il collegamento a corrente alternata. La tensione (V) e la frequenza (Hz) richieste sono riportate sulla targhetta all'interno dell'apparecchio. Il collegamento della corrente deve avvenire da una presa da parete indipendente.

**Se il cavo di alimentazione è danneggiato, esso deve essere sostituito dal fabbricante, da un suo centro di assistenza o comunque da personale qualificato onde evitare l'insorgere di situazioni rischiose.**

### Specifiche tecniche

L'apparecchio è conforme alle normative, alle direttive ed agli standard per il contrassegno CE.

Direttiva bassa tensione 73/23/EEC.

Direttiva EMC 89/336/EEC.

## Gestione e funzionamento

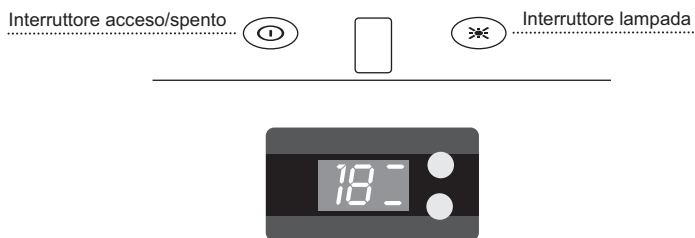


fig. 9

### Controlli elettronici

I controlli elettronici assicurano il mantenimento delle temperature impostate nella parte superiore e in quella inferiore dell'armadio. Ciò viene realizzato tramite un complesso controllo del sistema di refrigerazione, l'elemento riscaldante e il ventilatore. Dopo un'interruzione di corrente, le impostazioni di temperatura vengono richiamate automaticamente. I controlli elettronici hanno le seguenti funzioni:

- Impostazione della temperatura
- Visualizzazione della temperatura
- Sbrinamento automatico
- Programmi di ricerca guasti, emergenza ed assistenza
- Allarme temperatura bassa

① Interruttore acceso/spento

✖ L'interruttore della lampada può essere usato per selezionare un'illuminazione continua oppure illuminazione solo quando viene aperto lo sportello.

### Visualizzazione della temperatura

Il display mostra la temperatura presente nella parte superiore e in quella inferiore

dell'armadio. Per commutare il display tra la zona superiore e quella inferiore, premere rispettivamente il pulsante superiore e quello inferiore per un breve istante: la zona è indicata da una linea luminosa nel display accanto ai pulsanti. Il display della temperatura ha un filtro incorporato che simula la temperatura presente nelle bottiglie. La temperatura visualizzata non viene pertanto influenzata da fluttuazioni temporanee della temperatura dell'aria.

### Impostazione della temperatura

La temperatura viene impostata utilizzando i due pulsanti sul pannello di controllo. Il pulsante superiore viene utilizzato per impostare la temperatura nella parte superiore dell'armadio. Il pulsante inferiore viene utilizzato per impostare la temperatura sul fondo dell'armadio stesso. Disattivare la chiusura di sicurezza premendo il pulsante per 3 secondi. A questo punto il display inizierà a lampeggiare mostrando l'impostazione attuale della temperatura per la zona in questione. Ciò vale per entrambi i pulsanti ed entrambe le zone. Quando il display inizia a lampeggiare, la temperatura può essere impostata facendo scorrere le impostazioni tra 22 e 5°C. Quando viene

visualizzata l'impostazione desiderata, lasciare andare il pulsante per 3 secondi. A questo punto l'impostazione verrà memorizzata e la chiusura di sicurezza verrà riattivata.

Si tenga presente che non è possibile impostare la zona inferiore a una temperatura maggiore di quella della zona superiore. La massima impostazione di temperatura possibile per la zona inferiore è pertanto identica all'impostazione scelta per la zona superiore.

## Allarme temperatura bassa

Se la temperatura scende al di sotto di 2°C per più di un'ora, il display lampeggia e vengono alternativamente mostrate Lo/actual temperature. Il vino non può stagionare correttamente a temperature sotto zero.

Impostazione a due zone per la temperatura di degustazione

Le impostazioni tipiche per la zona superiore e quella inferiore sono rispettivamente di 16°C e di 6°C. Con queste impostazioni, nell'armadio è possibile ottenere un gradiente di temperatura adatto alla conservazione di diversi tipi di vino ripartiti in questo modo dall'alto verso il basso:

- vini rossi forti: da +16 a +19°C
- vini rosati e rossi leggeri: da +12 a +16°C
- vini bianchi: da +10 a +12°C
- champagne e spumanti: da +6 a +8°C

Si raccomanda di servire il vino a una temperatura un paio di gradi inferiore alla temperatura di degustazione desiderata, in quanto il vino si riscalda leggermente quando viene versato nel bicchiere.

Impostazione a zona singola per conservazione a lungo termine

Per una conservazione a lungo termine, la zona superiore e quella inferiore vanno entrambe impostate a 12°C. Con im-

postazioni identiche per la zona superiore e quella inferiore, i controlli manterranno una temperatura uniforme in tutto l'armadio. La temperatura del locale, tuttavia, influenzerà gradualmente la temperatura nell'armadio attraverso lo sportello e i fianchi, creando un leggero gradiente di temperatura dall'alto verso il basso. I controlli manterranno la temperatura impostata sul fondo dell'armadio, e pertanto le deviazioni dall'impostazione si verificheranno sempre nella parte superiore.

La differenza varierà da 0 a 3°C a seconda della temperatura ambiente.

## Sbrinamento, pulizia e manutenzione

### Sbrinamento automatico

Il frigorifero per vini viene sbrinato automaticamente. L'acqua di sbrinamento scorre attraverso un tubo e si raccoglie in una vaschetta sopra al compressore, dove il calore generato da quest'ultimo la fa evaporare. La vaschetta dell'acqua di sbrinamento deve essere pulita ad intervalli.

### Pulizia

Prima di pulire l'apparecchio, scollegarlo dalla rete elettrica. Il miglior modo per pulire l'armadio è quello di utilizzare acqua calda (max. 65 °C) con un po' di detergente delicato. Non utilizzare mai prodotti detergenti abrasivi. Usare un panno morbido. Sciacquare con acqua calda ed asciugare completamente. Il canale dell'acqua di sbrinamento, nel quale scorre la condensa dall'evaporatore, è collocato sul fondo della parete posteriore interna dell'armadio e deve essere tenuto pulito. Aggiungere qualche goccia di disinfettante, ad esempio Rodalon, al canale di deflusso dell'acqua di sbrinamento, e pulire il canale utilizzando uno scovolino o simili. Non utilizzare mai utensili taglienti o appuntiti. La striscia di tenuta attorno allo sportello dev'essere pulita con regolarità per prevenire lo scolorimento e prolungare la vita di servizio. Usare acqua pulita. Dopo aver pulito la striscia di chiusura, controllare che continui a mantenere una tenuta sicura. Per meglio asportare la polvere che si raccoglie sul condensatore nella parte posteriore dell'armadio, sul compressore e sullo scomparto di quest'ultimo, utilizzare un aspirapolvere.

### Sostituzione del tubo luminoso

Prima di sostituire il tubo luminoso, scollegare l'apparecchio dalla rete elettrica. Togliere il coperchio della lampada utilizzando un cacciavite piccolo a testa piatta. Sostituire il tubo PLC (11 W). Rimontare il coperchio della lampada, ricollegare l'alimentazione e mettere in funzione l'apparecchio premendo il pulsante acceso/spento.



fig. 10



## Ricerca guasti

<b>Guasto</b>	<b>Possibile causa</b>	<b>Rimedio</b>
L'apparecchio non dà segno di vita!	L'apparecchio è spento. Mancanza di elettricità; il fusibile è bruciato; l'apparecchio non è ben collegato alla presa di corrente.	Premere l'interruttore acceso/spento. Accertarsi che vi sia elettricità. Ripristinare il fusibile.
Si raccoglie acqua sul fondo dell'armadio.	Il tubo dell'acqua di sbrinamento è ostruito.	Pulire il canale dell'acqua di sbrinamento e il foro di deflusso sulla parete posteriore dell'armadio.
Vibrazioni o rumori fastidiosi.	L'apparecchio non è livellato.  L'apparecchio è appoggiato ad altri elementi della cucina.  I contenitori o le bottiglie all'interno dell'armadio si toccano l'un l'altro.	Livellare l'apparecchio servendosi di una livella a bolla.  Allontanare l'apparecchio dagli elementi della cucina o dagli elettrodomestici con cui è in contatto.  Allontanare i contenitori e/o le bottiglie una dall'altra.
Il compressore funziona continuamente.	Temperatura ambiente elevata.	Assicurare una ventilazione adeguata.
Il display visualizza "E1".	Il sensore superiore è staccato o in cortocircuito.	Richiedere assistenza. La temperatura all'interno dell'intero armadio viene mantenuta al più alto dei due punti di impostazione fino a quando il guasto viene riparato.
Il display visualizza "E2".	Il sensore inferiore è staccato o in cortocircuito.	Richiedere assistenza. La temperatura all'interno dell'intero armadio viene mantenuta al più alto dei due punti di impostazione fino a quando il guasto viene riparato.
Il display visualizza "ULO".	La tensione di rete è inferiore a 184 V.	
Il display visualizza "UHI".	La tensione di rete è superiore a 255 V.	

# Garanzia, parti di ricambio e assistenza

## Limitazioni della garanzia

Difetti e danni direttamente o indirettamente provocati da una gestione non corretta, usi impropri, manutenzione insufficiente, montaggio, installazione o connessioni principali non corretti, fuoco, incidenti, fulmini, variazioni di tensione o altre interferenze di natura elettrica, ivi compresi fusibili difettosi o guasti nelle installazioni principali, riparazioni eseguite da persone che non siano i tecnici dei centri di servizio omologati dalla Vestfrost, nonché qualsiasi altro guasto e danno che il fabbricante possa comprovare sia dovuto a cause diverse da difetti di fabbricazione o di materiale, non sono coperti dalla garanzia.

I danni dovuti al trasporto scoperti dall'acquirente sono principalmente una questione che va risolta tra l'acquirente ed il distributore, vale a dire che il distributore deve assicurare che tali reclami vengano risolti in modo soddisfacente per il cliente.

Prima di richiedere l'assistenza tecnica, Vi invitiamo a controllare se non siate in grado di risolvere il problema Voi stessi (vedi: Ricerca guasti). Facciamo presente che in caso di richieste di assistenza ingiustificate, ad esempio se l'apparecchio non funziona a causa di un fusibile bruciato o una gestione non corretta, i costi dovuti alla Sua chiamata Le verranno addebitati.

## Parti di ricambio

Quando si devono ordinare delle parti di ricambio, indicare i numeri di tipo, di serie e di produzione del Suo apparecchio (vedi fig. 1 a pag. 3 e fig. 11). Queste informazioni sono riportate sulla targhetta all'interno dell'armadio. La targhetta contiene diverse informazioni di carattere tecnico, ivi compresi i numeri di tipo e di serie.

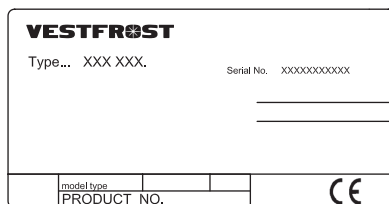


fig. 11

Nota: Quando il Suo apparecchio dev'essere riparato o sostituito, si rivolga sempre a centri di assistenza autorizzati!

## Servizio

La Vestfrost dispone di centri di assistenza locali in tutto il Paese specializzati nei prodotti Vestfrost. In questi centri potrà ottenere prezzi fissi e Le verrà fornita un'assistenza professionale per tutte le riparazioni. Può trovare il Suo centro di servizio locale su [www.vestfrost.dk](http://www.vestfrost.dk)


## Smaltimento

Si ricordi inoltre di rispettare scrupolosamente le normative ambientali. Quando deve smantellare l'apparecchio, contatti l'ufficio tecnico del Suo Comune per informarsi del modo in cui la raccolta ed il riciclaggio di queste unità avvengono nella Sua zona.

Questo apparecchio è contrassegnato in conformità alla direttiva europea 2002/96/EC WEEE (in italiano RAEE: Rifiuti apparecchiature elettriche ed elettroniche).

Assicurandovi che questo prodotto venga eliminato correttamente, collaborerete alla prevenzione di potenziali conseguenze negative per l'ambiente e la salute umana che potrebbero essere causate da uno smaltimento inappropriato di questo prodotto.



Il simbolo  riportato sul prodotto o sui documenti di accompagnamento dello stesso indica che questo apparecchio non può essere trattato allo stesso modo dei rifiuti domestici. Al contrario, esso dovrà essere consegnato ad un adeguato punto di raccolta per il riciclaggio delle apparecchiature elettriche.

Lo smaltimento deve essere effettuato in conformità alle norme ambientali locali per lo smaltimento dei rifiuti.

Per informazioni più dettagliate sul trattamento, il recupero e il riciclaggio di questo prodotto, Vi invitiamo a contattare il Vostro comune, il Vostro servizio per la raccolta dei rifiuti domestici o il negozio presso il quale il prodotto è stato acquistato.

Спасибо за то, что Вы купили новый винный холодильник от Vestfrost. Просим отметить, что эта инструкция по эксплуатации подходит ко всем винным холодильникам серии FZ. Поэтому не все иллюстрации и оснащение могут точно соответствовать вашей модели.

## Внимание!

Не допускайте попадания посторонних предметов в вентиляционные отверстия самого прибора или встроенных частей. **Внимание!**

Не используйте механические приспособления для ускорения процесса размораживания, за исключением приспособлений, рекомендованных производителем.

**Внимание!**

Не допускайте повреждений системы охлаждения.

**Внимание!**

Не используйте электрические приборы внутри холодных камер холодильника, за исключением приборов, рекомендованных производителем.

Не допускайте попадания прибора под дождь.

Всегда держите ключи отдельно и там, где их не смогут найти дети.

Перед тем как мыть или ремонтировать прибор, отключите прибор от сети.

Если хладагент, используемый в этом приборе - огнеопасный газ (Изобутан R600a), важно убедиться, что трубки с хладагентом не повреждены. Если повреждение все же произошло, избегайте возникновения искр или открытого пламени около прибора, удостоверьтесь в том, что помещение хорошо проветрено, отключите электропитание, и свяжитесь с вашим поставщиком.

Изделие должно обслуживаться только компетентными техниками из авторизованного сервисного центра.

Это изделие может быть использовано детьми или недееспособными лицами только под наблюдением ответственного лица, способного обеспечить безопасность при его использовании. Необходимо следить за маленькими детьми и не разрешать им играть с холодильником.

## Старый холодильник

Старые холодильники и морозильники зачастую оснащены сложными замками, которые можно открыть только с внешней стороны. Если у Вас хранится такой холодильник или Вы собираетесь его выбрасывать, не забудьте сломать замок, чтобы оградить детей от опасности быть запертыми в нем.

## Содержание

Общий вид винного холодильника.....	3
Установка и запуск.....	4
Перевешивание двери.....	7
Подключений к электросети.....	8
Работа и функции.....	9
Размораживание, уборка и обслуживание.....	11
Возможные неисправности и их устранение.....	12
Гарантии, запасные части и сервисное обслуживание.....	13
Утилизация.....	14

# Общий вид винного холодильника

## Перед использованием

Перед использованием вашего нового холодильника, пожалуйста, тщательно прочитайте эту инструкцию, поскольку в ней содержится важная информация относительно безопасности, установки, операций и обслуживания прибора. Сохраните инструкцию, чтобы обращаться к ней в будущем. По получении проверьте, чтобы прибор не был поврежден при транспортировке. Если прибор был поврежден при транспортировке, об этом следует сообщить местному дистрибьютеру до того, как винный холодильник будет установлен для использования. Удалите упаковку. Помойте внутреннюю

поверхность холодильной камеры теплой водой с моющим средством. Ополосните чистой водой и насухо вытрите (см. инструкции по уборке). Используйте мягкую ткань.

Если при транспортировке прибор был в горизонтальном положении или находился на холоде (ниже чем +5°C), нужно позволить ему постоять как минимум час в вертикальном положении при комнатной температуре, не включая его в сеть.

- Подсветка
- Угольный фильтр
- Деревянные полки
- Уплотнитель
- Заводской номер
- Ручка двери
- Нижняя панель
- Контрольная панель
- Замок
- Регулируемые ножки

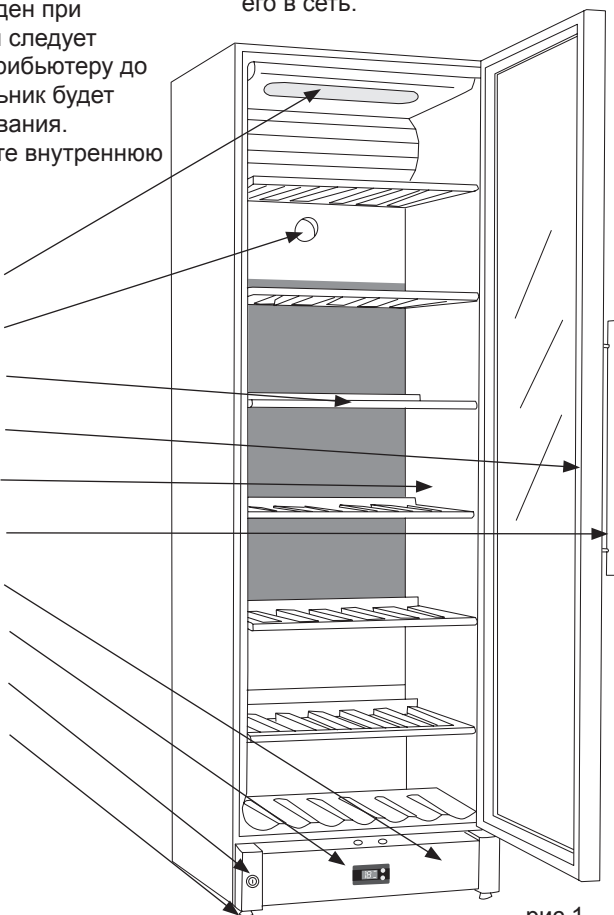


рис.1

# Установка и запуск

## Размещение

Для безопасности и из-за эксплуатационных требований, прибор должен быть установлен в сухом, хорошо проветриваемом помещении (максимальная относительная влажность воздуха не более 75%).  
 Никогда не устанавливайте его вблизи нагревательных приборов, например, плит или радиаторов, и постарайтесь избежать попадания на прибор прямых солнечных лучей.

## Комнатная температура

Климатический класс указан на табличке с заводским номером (см. рис. 1 на странице 3 и рис. 11 на странице 13). Он определяет оптимальную температуру комнаты. Винные холодильники для использования при низких температурах, однако, функционируют при комнатной температуре ниже 5 °С.

Климатический	Оптимальная комнатная температура
SN	+10 °С до +32 °С
N	+16 °С до +32 °С
ST	+18 °С до +38 °С
T	+18 °С до +43 °С

## Установка

Поверхность, на которой установлен прибор, должна быть ровной и горизонтальной. Не используйте рамы, каркасы или нечто подобное. Прибор может быть установлен отдельно, встроен в кухонную мебель, или поставлен рядом с другими холодильниками (рис. 2-3).

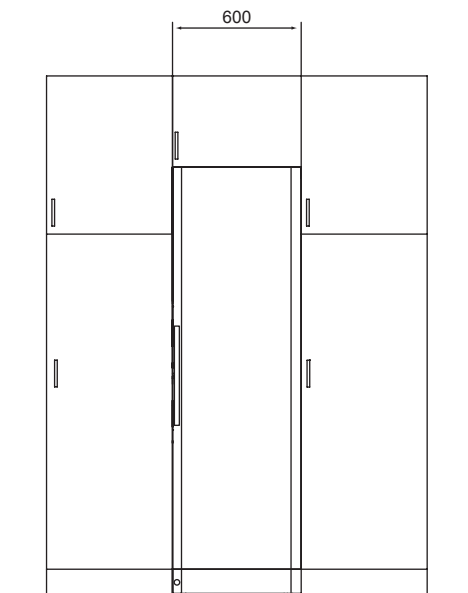


рис. 2

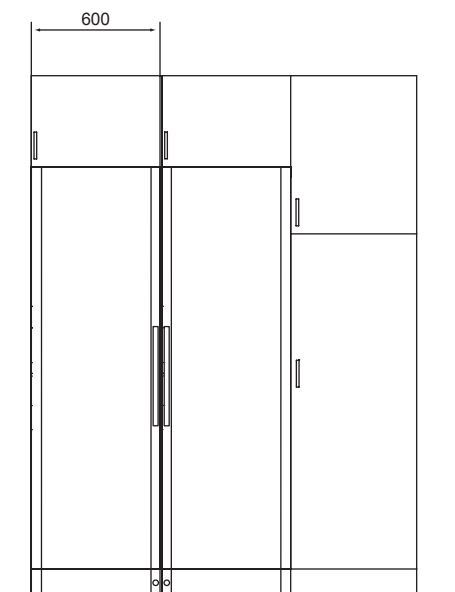


рис. 3

## Холодильник, вид сверху

Если сзади или сбоку от прибора находится стена, нужно оставить достаточно места для открывания двери с тем, чтобы можно было вытащить полки (рис. 4).

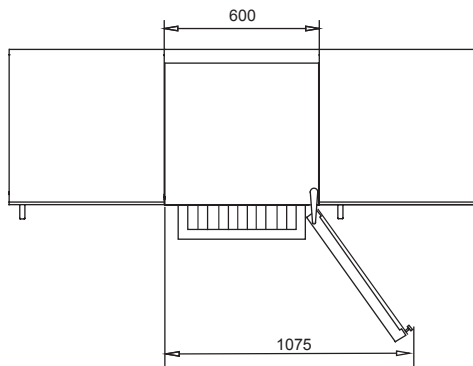


рис. 4

## Вентиляция

Важно чтобы прибор хорошо проветривался, и чтобы воздух мог беспрепятственно циркулировать выше него, под ним и вокруг него. Рисунки ниже иллюстрируют, как необходимо разместить холодильник, чтобы этого достигнуть (рис. 5-6).

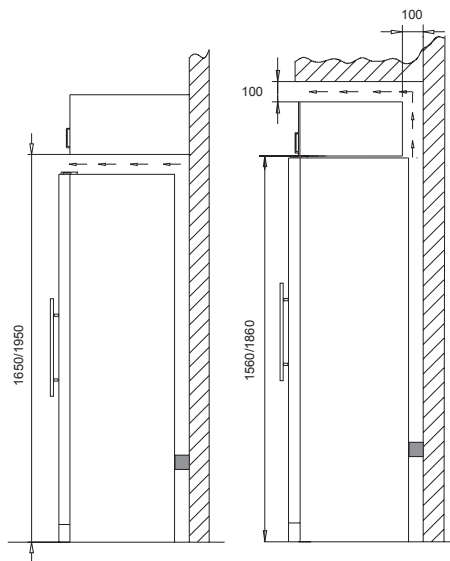


рис. 5

рис. 6

Упоры на задней части холодильника обеспечивают нормальную циркуляцию воздуха. Установите две крышки, поставляемые в комплекте, как показано на рис. 7

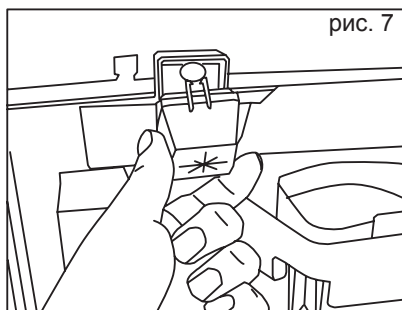


рис. 7

## Горизонтальное положение

Важно чтобы прибор был поставлен горизонтально. Вы можете регулировать длину ножек, расположенных под передней частью прибора (рис. 8). Используйте спиртовой уровень, чтобы убедиться, что прибор стоит абсолютно горизонтально.

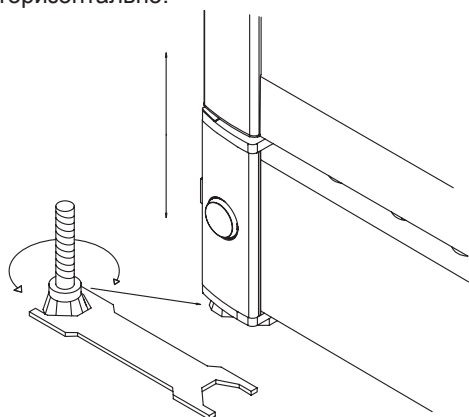
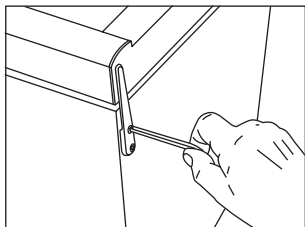


fig. 8

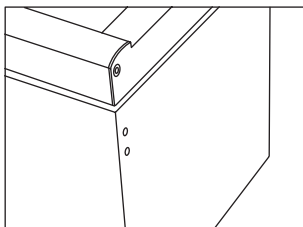


# Перевешивание дверей

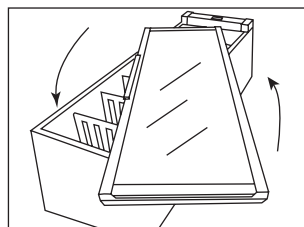
Дверь может быть перевешена для открытия справа или слева следующим образом:



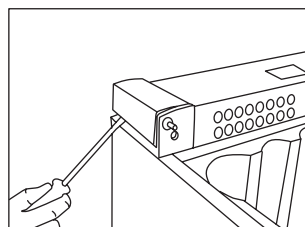
1. Положите прибор задней стенкой на пол и ослабьте верхнюю петлю.



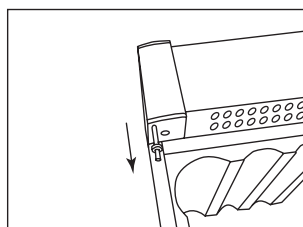
2. Снимите верхнюю петлю.



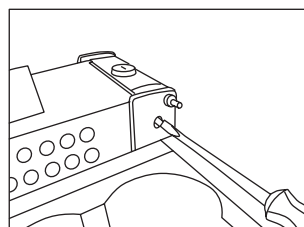
3. Поверните стеклянную дверь на 180 ° (на FZ 295 W потяните за ручку, чтобы ослабить сопротивление уплотнителя).



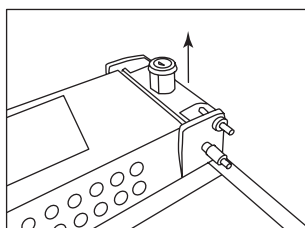
4. Используя плоскую отвертку, снимите пластиковые крышки.



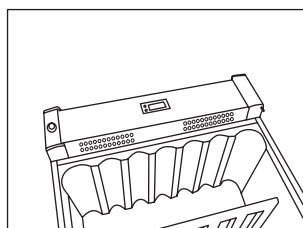
5. Выньте шпильку из петли и установите ее на противоположной стороне.



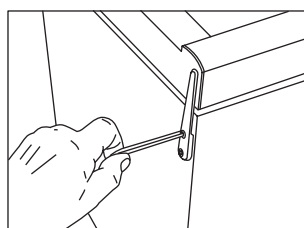
6. Выкрутите запорную шпильку плоской отверткой.



7. Когда булавка замка была ослаблена полностью, вытащите ее вместе с цилиндром замка и смонтируйте на противоположной стороне.



8. Защелкните пластиковые крышки на противоположной стороне.



9. Установите дверь на нижнюю, затем на верхнюю шпильку и плотно закрутите.

10. После перевешивания двери важно удостовериться в том, что уплотнитель обеспечивает герметичность ее закрытия по всему периметру. Если этого не происходит, нагрейте феном уплотнитель по периметру двери. После этого немного растяните уплотнительную резину так, чтобы дверь плотно прилегала к камере холодильника. Не в коем случае нельзя перегревать уплотнитель до расплавления!

## Подключение к электросети

Прибор предназначен для работы с переменным током. Необходимое напряжение (V) и частота (Гц) указаны на табличке с заводским номером. Холодильник должен быть подключен к электросети через отдельную розетку.

**Если провод питания холодильника был поврежден, он должен быть заменен на провод соответствующего типа, поставляемый изготовителем или центром технического обслуживания, указанным производителем.**

### Технические данные

Этот прибор соответствует инструкциям, директивам и стандартам Совета Европы. Директива LV 73/23/ЕЕС. Директива 89/336/ЕЕС EMC.

## Работа и функции

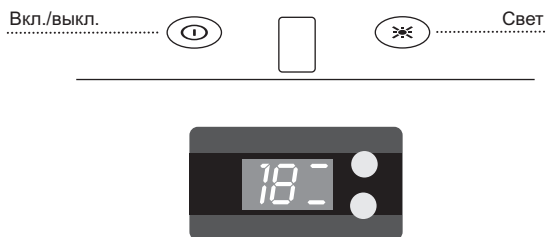


рис. 9

### Электронная система управления

Электронная система управления гарантирует, что указанная температура (указываются 2 значения - температура вверху и у основания камеры) будет поддерживаться вверху и внизу холодильной камеры. Это достигается через комплексный контроль за системой охлаждения, нагревающего элемента и вентилятора. После любого отключения напряжения, автоматически устанавливаются прежние параметры настройки. Система управления имеет следующие функции:

- Настройка температуры
- Дисплей температуры
- Автоматическое размораживание
- Программы обнаружения неисправностей, аварийные и сервисные программы
- Сигнализация понижения температуры

① Включение/выключение

✳ Переключатель света используется, чтобы выбрать непрерывное освещение или освещение только при открытой двери.

### Дисплей температуры

Дисплей показывает фактическую температуру в верхней и нижней частях холодильной камеры. Чтобы переключить дисплей (верх/низ) необходимо быстро нажать соответствующую кнопку. Дисплей температуры имеет встроенный фильтр, который моделирует фактическую температуру в бутылках. Поэтому показания не зависят от кратковременных колебаний температуры воздуха в камере.

### Установка температуры

Температура устанавливается при помощи двух кнопок на пульте управления. Верхняя кнопка используется, чтобы установить температуру вверху камеры. Нижняя кнопка используется, чтобы установить температуру в нижней части камеры. Дезактивируйте недоступный для детей замок, нажимая кнопку в течение 3 секунд. После этого дисплей начнет мигать и показывать установленную температуру в выбранной зоне. Это относится к обеим кнопкам/секциям. Пока дисплей мигает, может быть установлена новая температура от 22 до 5°C. После того, как на дисплее появится

требуемая температура, отпустите кнопку на 3 секунды. После этого настройка сохраняется и вновь активируется недоступный для детей замок.

Следует помнить, что в нижней секции невозможно установить температуру выше, чем в верхней секции. Поэтому установленная в нижней секции температура автоматически становится минимальной возможной температурой в верхней секции.

## Сигнализация понижения температуры

Если температура была ниже 2°C в течение более 1 часа, дисплей начинает мигать и на нем поочередно появляются надпись “Lo” и фактическая температура. Вино не может созреть должным образом при температуре близкой к нулю.

## Регулировка температуры в двух секциях

Стандартная температура в верхней и нижней секции холодильника 16°C и 6°C соответственно. Эти параметры позволяют эффективно хранить вино различных типов, которое следует разместить в камере сверху вниз следующим образом:

- крепкие красные вина: +16 до +19°C
- розовые и легкие красные вина: +12 до +16°C
- белые вина: +10 до +12°C
- шампанские и игристые вина: +6 до +8°C

Рекомендуется подавать вино при температуре немного ниже той, которая рекомендована для употребления, поскольку вино слегка нагревается, когда его наливают в бокал.

## Установка единой температуры во всей камере холодильника.

Для долгосрочного хранения вин в верхней и нижней части камеры должна быть установлена температура 12°C. Система управления будет поддерживать данную температуру во всей камере. Однако, под влиянием комнатной температуры в камере постепенно образуется небольшой перепад. Система управления будет поддерживать заданную температуру в нижней секции. В верхней секции температура повысится на 0 – 3 °C, в зависимости от температуры в помещении.

## Размораживание, уборка и обслуживание

### Автоматическое размораживание

Винный холодильник размораживается автоматически. Растаявшая вода сбегает по трубке и собирается в поддоне над компрессором, где высокая температура от компрессора заставляет ее испаряться. Поддон для талой воды следует периодически мыть.

### Уборка холодильника

Перед уборкой выключите холодильник из сети. Для мытья лучше всего использовать теплую воду (максимальная температура 65°C) с небольшим количеством моющего средства. Не используйте чистящие/абразивные средства. Используйте мягкую ткань. После сполосните чистой водой и вытрите насухо. Следует периодически прочищать канал для талой воды (конденсат от испарителя), находящийся в основании задней стенки камеры. Два раза в год залейте туда несколько капель дезинфицирующего средства, и прочистите его, используя ершик для чистки трубок. Никогда не используйте для уборки острые инструменты. Герметизирующая резиновая лента вокруг двери (уплотнитель) должна регулярно очищаться, чтобы предотвратить изменение ее цвета и продлить срок службы. Используйте чистую воду. После очистки уплотнителя, проверьте, чтобы он обеспечивал герметичное закрытие двери. Пыль, которая собирается на конденсаторе, задней стенке холодильника, компрессоре, лучше всего удалять пылесосом.

### Замена лампы подсветки

Отключите холодильник от электросети. Удалите плафон лампы, используя маленькую плоскую отвертку. Замените лампу PLC (11 W). Смонтируйте обратно плафон, повторно подключите электропитание и включите прибор нажатием кнопки-выключателя.



рис. 10

## Возможные неисправности и их устранение

Неисправность	Возможная причина	Средства устранения
Прибор «не подает признаков жизни».	Прибор выключен. Нет электричества; сгорел предохранитель; прибор неправильно подключен.	Нажмите кнопку включения вкл/выкл. Проверьте наличие напряжения в сети. Смените предохранитель.
Вода собирается в основании камеры.	Засорилась трубка для талой воды.	Прочистите трубку и отверстие для стока на задней стенке камеры.
Вибрация или надоедливый шум.	Холодильник установлен не горизонтально. Прибор касается других предметов мебели.  Контейнеры или бутылки в камере стучат друг об друга.	Выверните прибор, используя спиртовой уровень. Отодвиньте прибор от других предметов.  Расставьте контейнеры и/или бутылки, чтобы они не касались друг друга.
Компрессор работает непрерывно	Высокая температура в комнате	Обеспечьте надлежащую вентиляцию.
На дисплее высвечивается «E1».	Неисправен или замкнут верхний датчик.	Позвоните в сервис. Пока поломка не будет устранена, в камере будет поддерживаться большая из двух заданных температур.
На дисплее высвечивается «E2».	Неисправен или накоротко замкнут нижний датчик.	Позвоните в сервис. Пока поломка не будет устранена, в камере будет поддерживаться большая из двух заданных температур.
На дисплее высвечивается «ULO».	Напряжение в сети ниже 184 V.	
На дисплее высвечивается «UH1».	Напряжение в сети выше 255 V.	

# Гарантия, запасные части и сервисное обслуживание

## Условия гарантии

Гарантия не распространяется на дефекты и повреждения, возникшие в результате неправильной эксплуатации, обслуживания, установки или подключения, а так же в результате пожара, несчастного случая, перепада напряжения, использования дефектных предохранителей или некачественного ремонта, произведенного в сервисном центре, который не был указан производителем. Гарантия также не распространяется на любые дефекты, возникшие не по вине производителя, если обратное не может быть доказано.

Если повреждения возникли в результате транспортировки, вопрос должен быть улажен между покупателем и дистрибьютером, то есть дистрибьютер должен гарантировать, чтобы такие жалобы решались в пользу покупателя.

Перед тем, как обратиться в сервисный центр проверьте, пожалуйста, можете ли Вы устранить неполадку самостоятельно (см. «Возможные неисправности и их устранение»). Если ваш запрос в сервисный центр будет неоправданным, например, если прибор не работает из-за перегоревшего предохранителя или неправильной эксплуатации, то затраты, понесенные в результате вызова, ложатся на Вас.

## Запасные части

При оформлении заказа на запасные части пожалуйста укажите тип, серийный и модельный номера Вашего аппарата (см. рис.1 на стр.3 и рис.11). Эти сведения даны на этикетке внутри

аппарата. Эта этикетка содержит различные технические характеристики, включая тип и серийный номер.

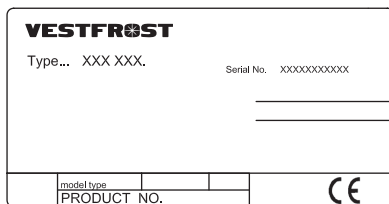


рис. 11

Внимание: Для ремонта или замены изделия обращайтесь только в авторизованные сервисные центры!

## Сервис

Vestfrost имеет сеть авторизованных центров обслуживания по всей стране. Здесь Вы получите стабильные цены и профессиональную помощь в ремонте и обслуживании. Координаты ближайшего сервисного центра Вы найдете по адресу: [www.vestfrost.com](http://www.vestfrost.com).

## Утилизация

При утилизации изделия следует соблюдать требования по охране окружающей среды. Если Вы решили утилизировать прибор, свяжитесь с технической службой местной администрации, чтобы узнать, как происходит сбор и переработка подобных изделий в Вашей местности. Данное изделие маркировано в соответствии с Директивой 2001/96/ЕС о вышедшем из употребления электрическом и электронном оборудовании.

Убедившись, что этот продукт утилизирован должным образом, Вы можете предотвратить возможное отрицательное влияние на окружающую среду и здоровье людей, которое может быть вызвано неправильным обращением с данным продуктом. Специальный символ на самом продукте или на сопроводительной документации означает, что он не относится к бытовым отходам. Его следует сдать в ближайший пункт для переработки электрического и электронного оборудования. Утилизация должна проводиться в соответствии с местными нормами утилизации отходов. Для получения более подробной информации об утилизации и переработке данного продукта, обратитесь у городскую администрацию, местную службу утилизации бытовых отходов или в магазин, где Вы приобрели данный продукт.









- GB Vestfrost reserves the right to alter specifications without prior notice.
- DE Recht auf Änderungen vorbehalten.
- FR Nous nous réservons le droit d'apporter toutes modifications à nos produits
- DK Ret til ændringer forbeholdes
- NO Rett til endringer forbeholdes
- NL Recht tot wijzigingen voorbehouden
- ES La empresa se reserva el derecho a efectuar modificaciones
- IT La Vestfrost si riserva il diritto di modificare le specifiche senza comunicazioni preliminari.
- CZ Vestfrost si vyhrazuje právo na změnu specifikací bez předchozího uvědomění.
- PL Zastrzega się prawo do wprowadzania zmian.
- RUS Vestfrost оставляет за собой право на изменение спецификаций без предварительного уведомления.